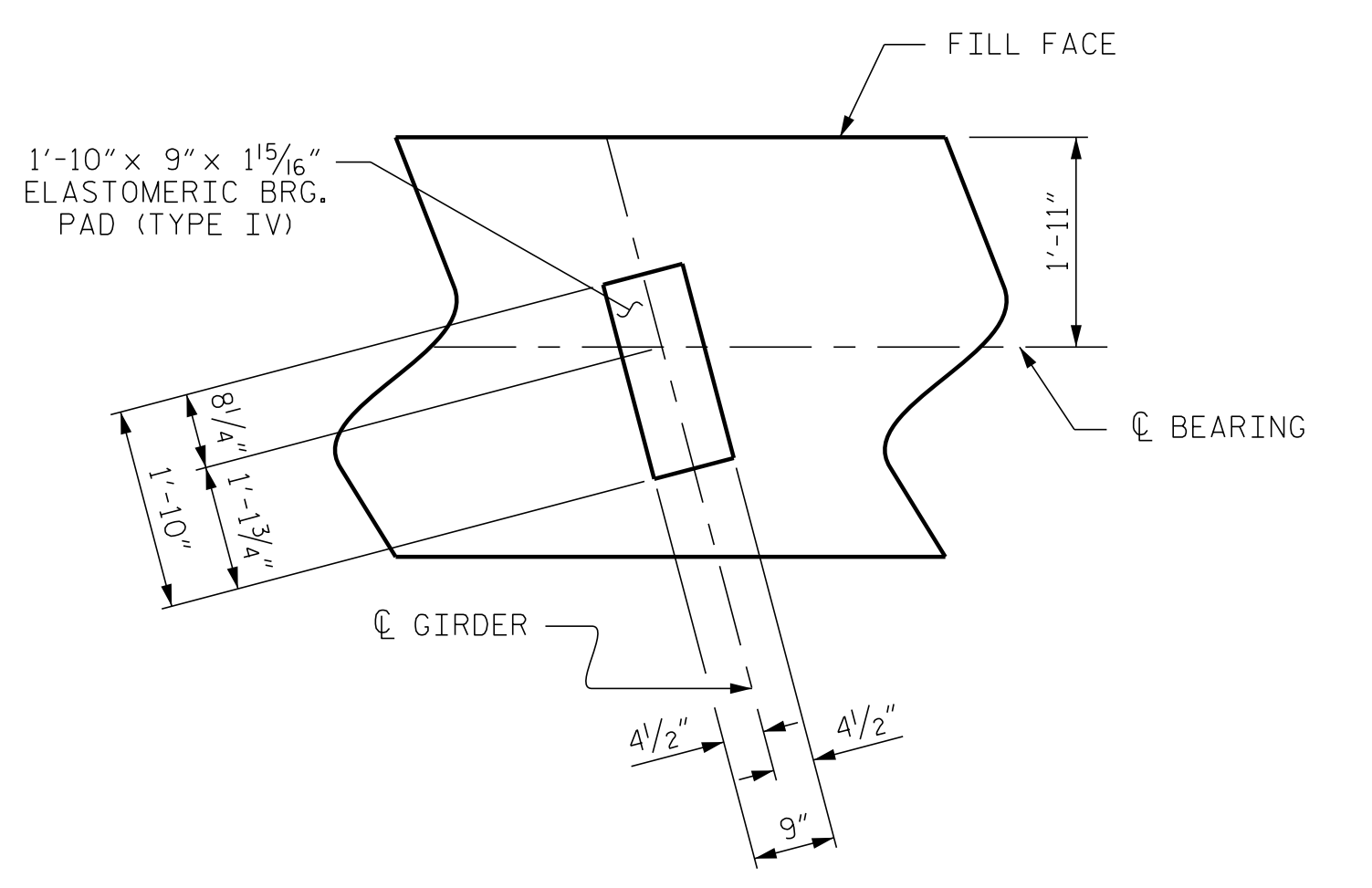
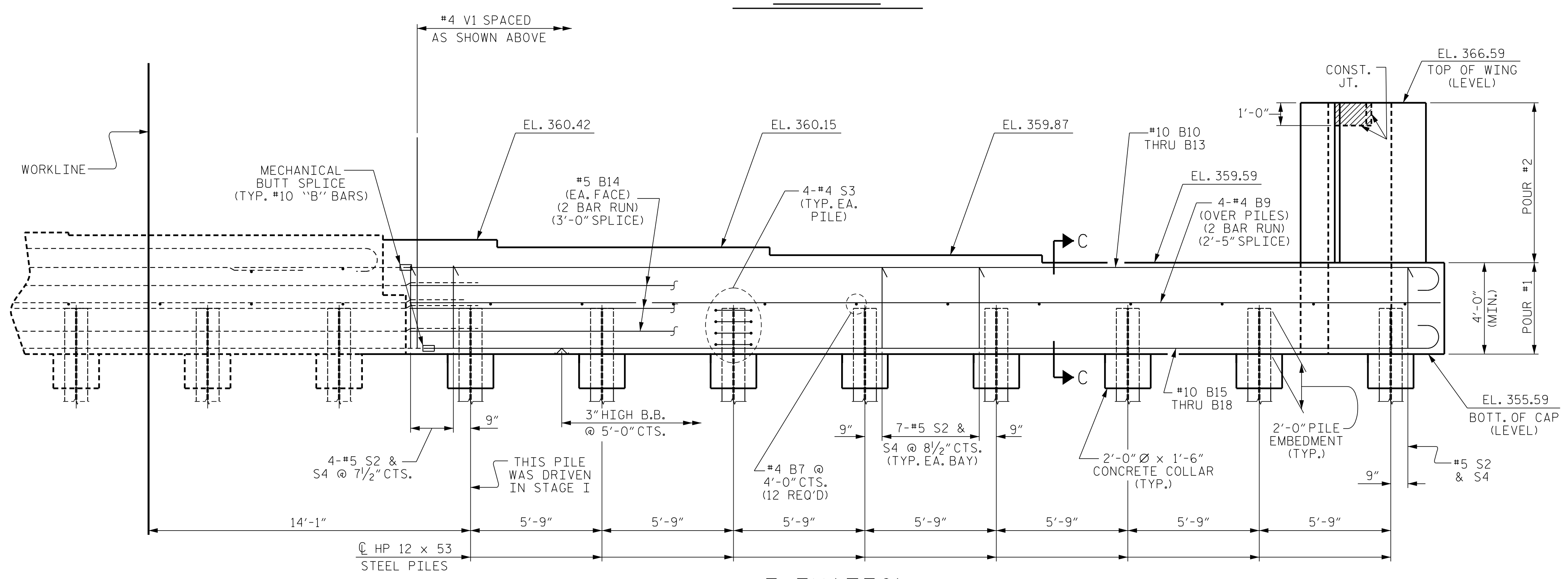


PLAN

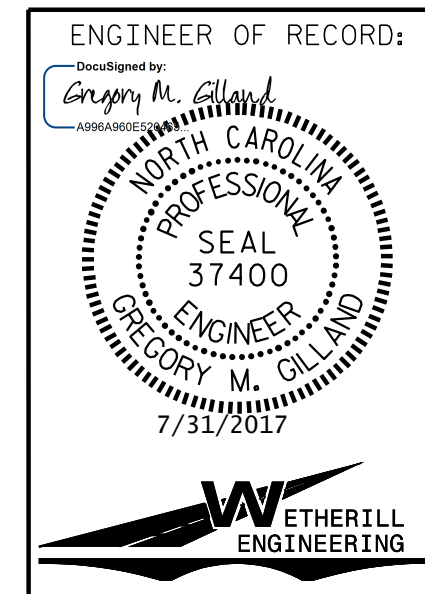


DETAIL "A"
(TYP. EACH GIRDER)



ELEVATION

PROJECT NO. I-5506
 WAKE COUNTY
 STATION: 50+61.09 -L-
 SHEET 2 OF 4



1223 Jones Franklin Rd.
 Raleigh, N.C. 27606
 Bus: 919 851 8077
 Fax: 919 851 8107
 LICENSE NO. F-0377

STATE OF NORTH CAROLINA DEPARTMENT OF TRANSPORTATION RALEIGH					
SUBSTRUCTURE END BENT No. 2 STAGE II					
REVISIONS					
NO.	BY:	DATE:	NO.	BY:	DATE:
1			3		
2			4		

SHEET NO.	S01-39
TOTAL SHEETS	46

DRAWN BY: D. HODGE DATE: 8/16
 CHECKED BY: B.C. HUNT DATE: 10/16

DOCUMENT NOT CONSIDERED FINAL
 UNLESS ALL SIGNATURES COMPLETED

\$FILE\$ \$DATE\$ \$TIME\$