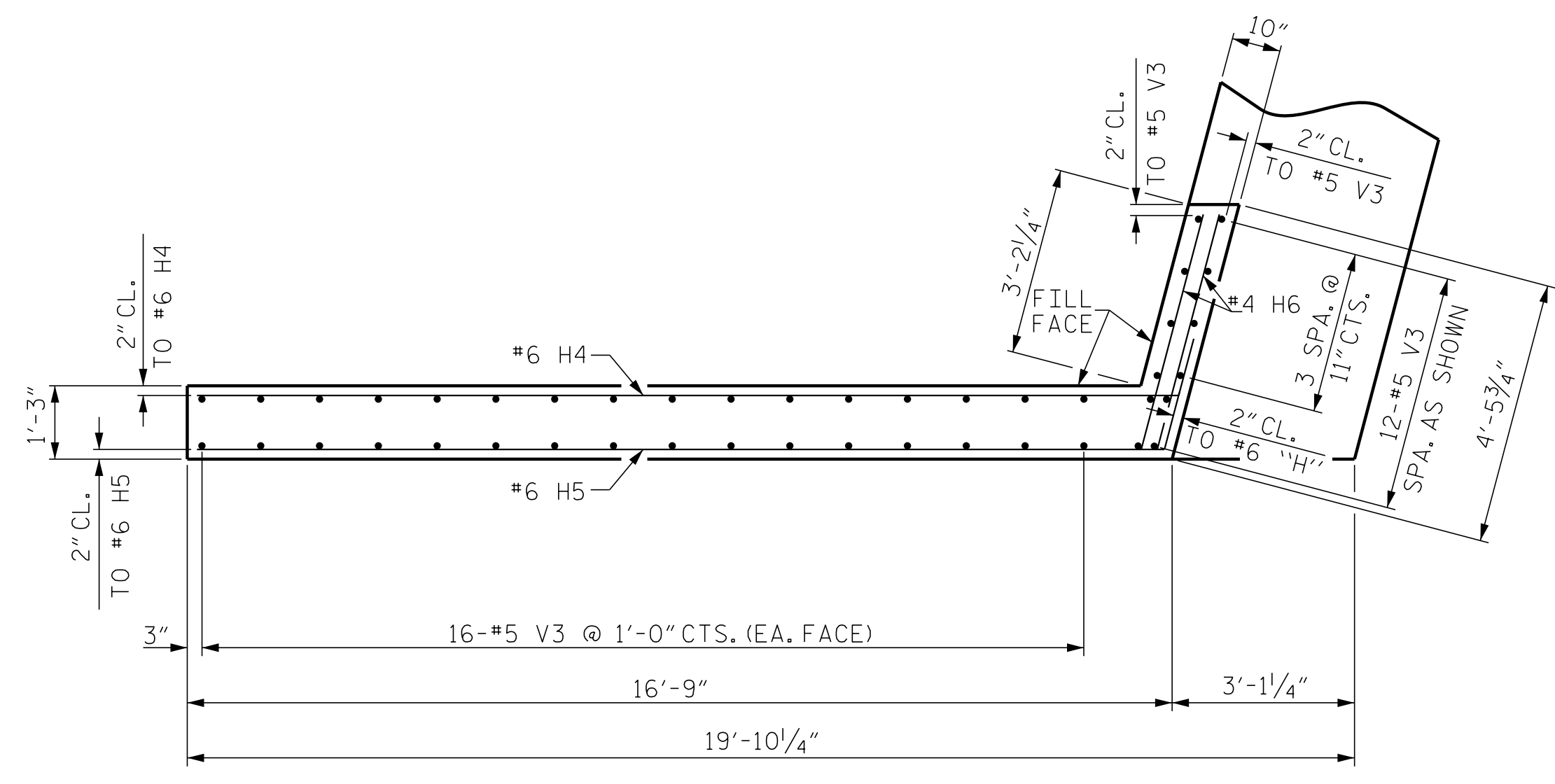
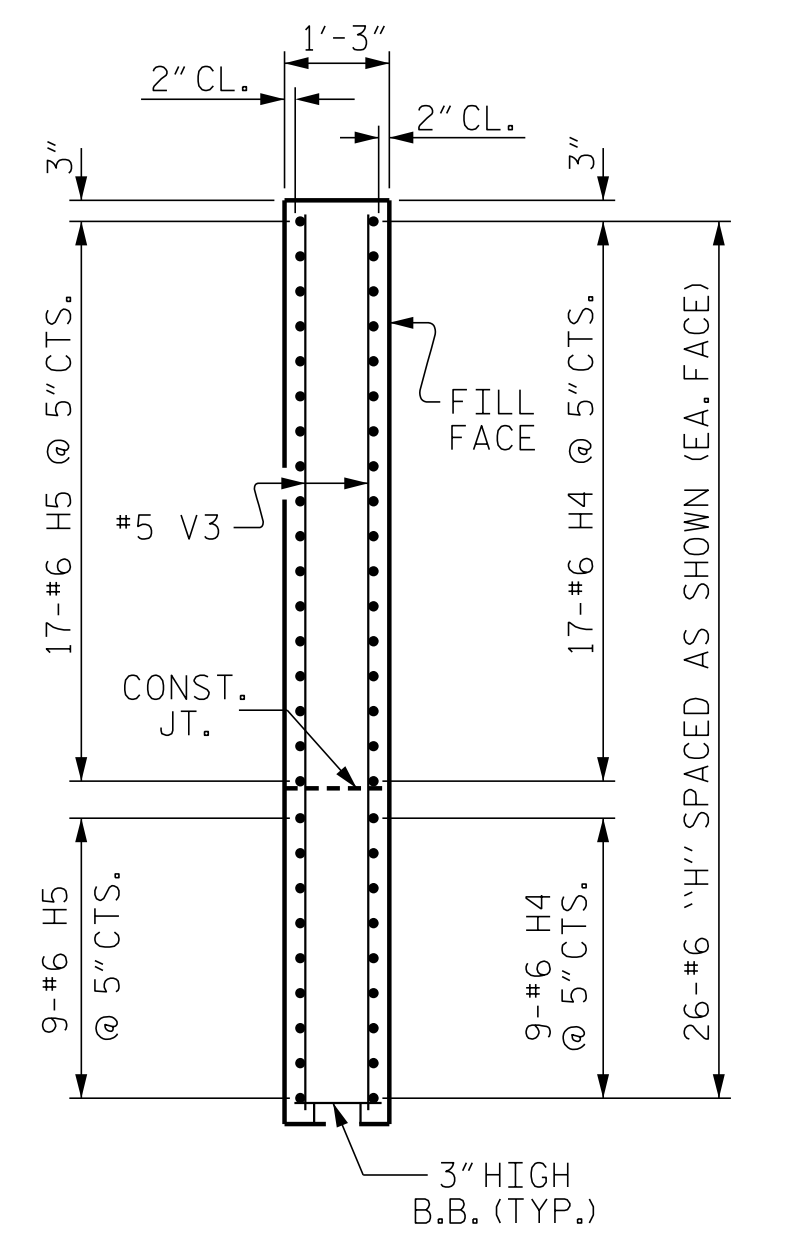


PLAN OF WING - (W1)

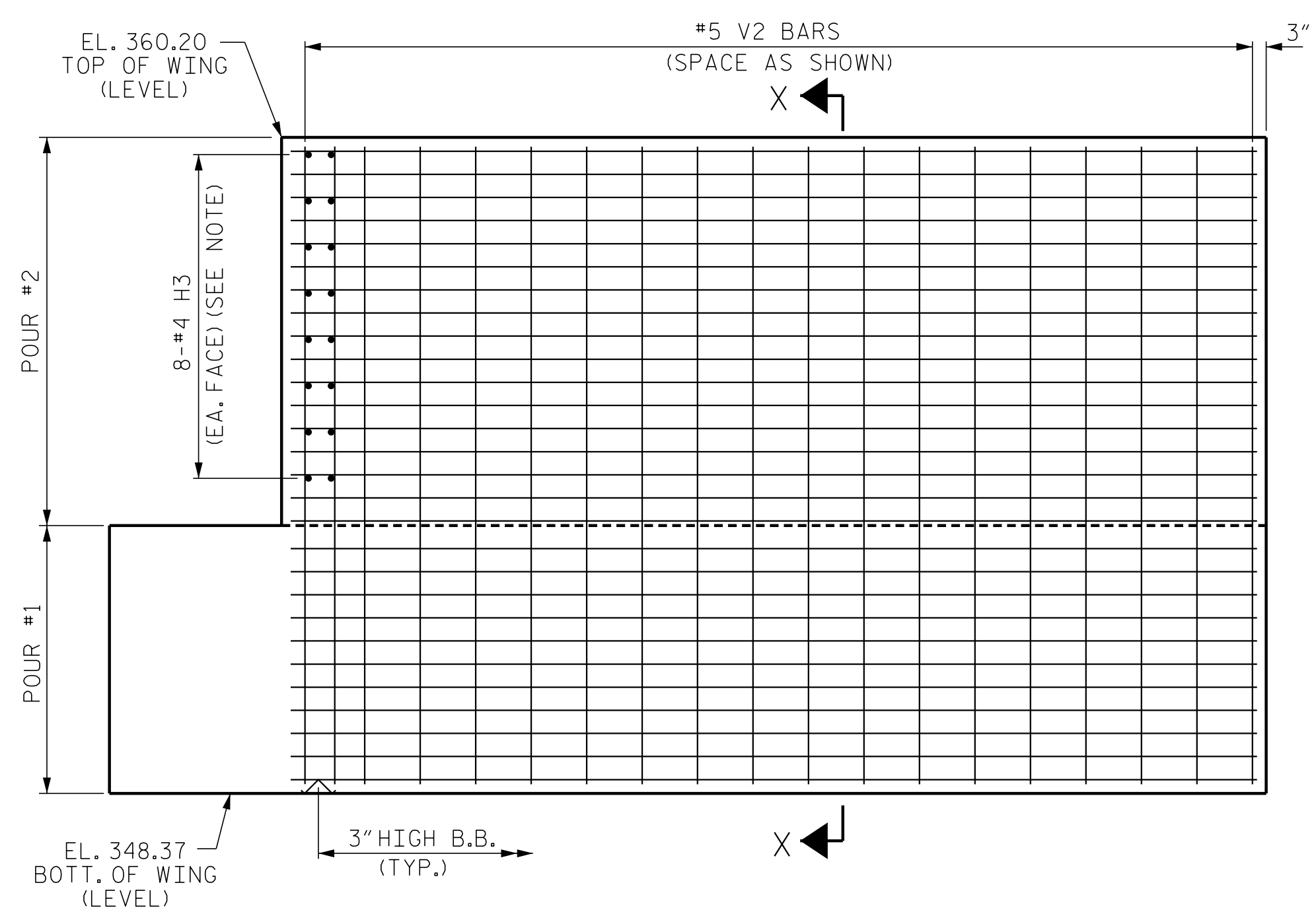


PLAN OF WING - (W2)

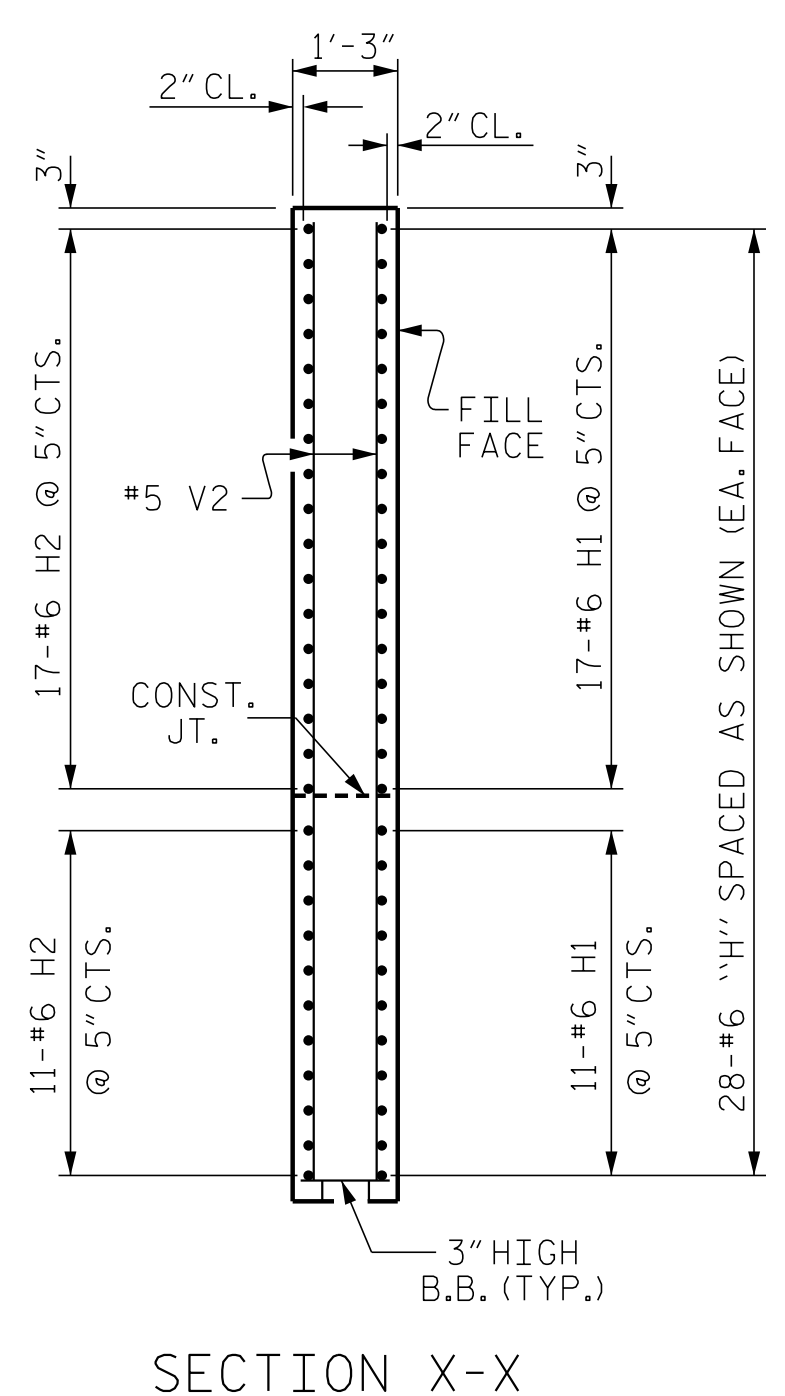
NOTE: #4 H3 & H6 TO BE PLACED TO MATCH EVERY OTHER #6 \"H\" BAR



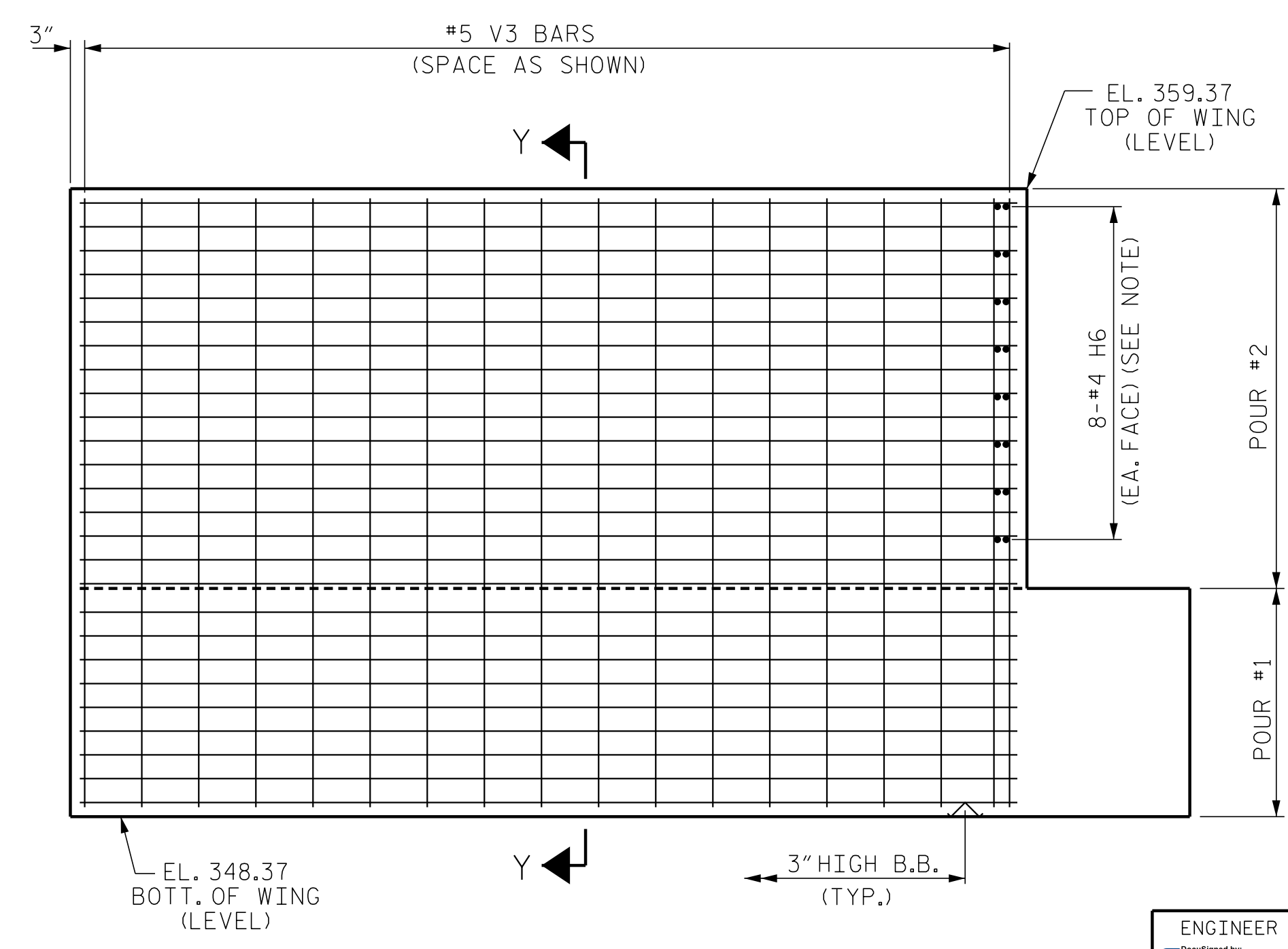
SECTION Y-Y



ELEVATION OF WING - (W1)

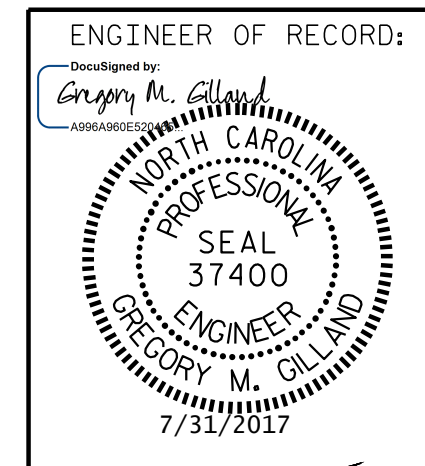


SECTION X-X



ELEVATION OF WING - (W2)

PROJECT NO. I-5506
 WAKE COUNTY
 STATION: 50+61.09 -L-
 SHEET 3 OF 4



STATE OF NORTH CAROLINA
 DEPARTMENT OF TRANSPORTATION
 RALEIGH
 SUBSTRUCTURE
 END BENT No. 1

REVISIONS						SHEET NO.
NO.	BY:	DATE:	NO.	BY:	DATE:	SHEET NO.
1			3			TOTAL SHEETS
2			4			46

\$FILE\$ \$DATE\$ \$TIME\$

DRAWN BY: D. HODGE DATE: 9/16
 CHECKED BY: B.C. HUNT DATE: 10/16

DOCUMENT NOT CONSIDERED FINAL
 UNLESS ALL SIGNATURES COMPLETED

1223 Jones Franklin Rd.
 Raleigh, N.C. 27606
 Bus: 919 851 8077
 Fax: 919 851 8107
 LICENSE NO. F-0377