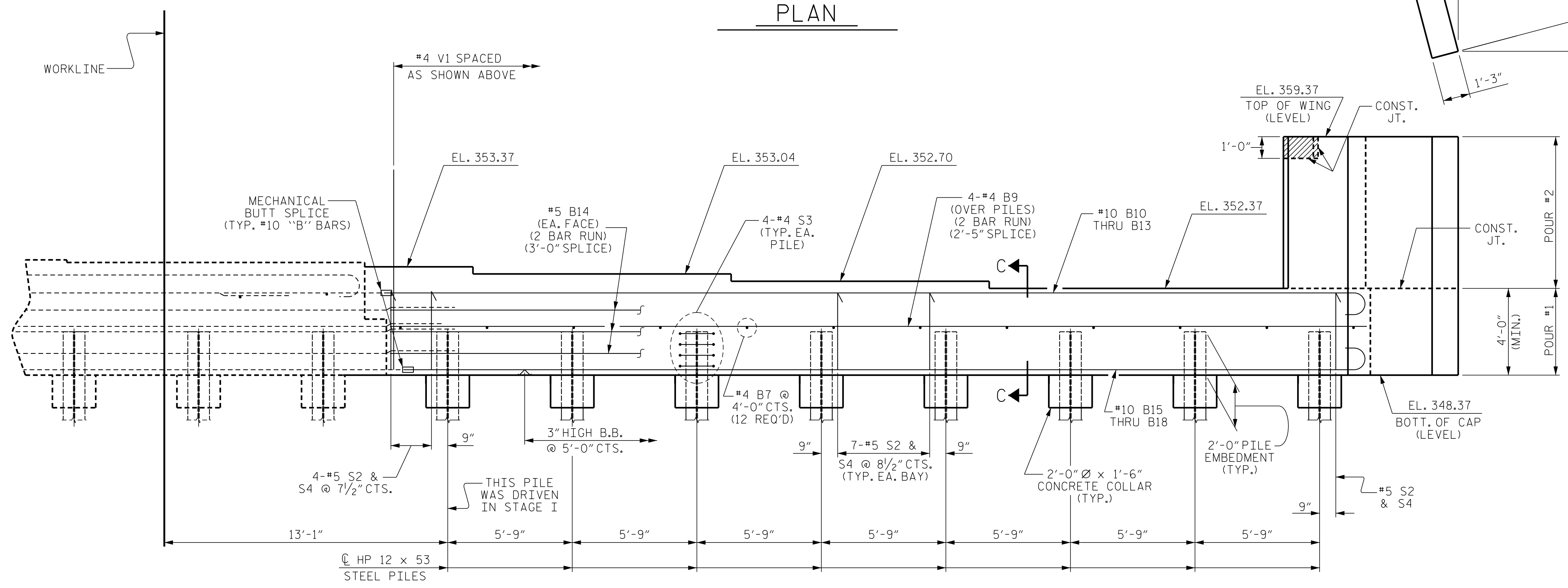
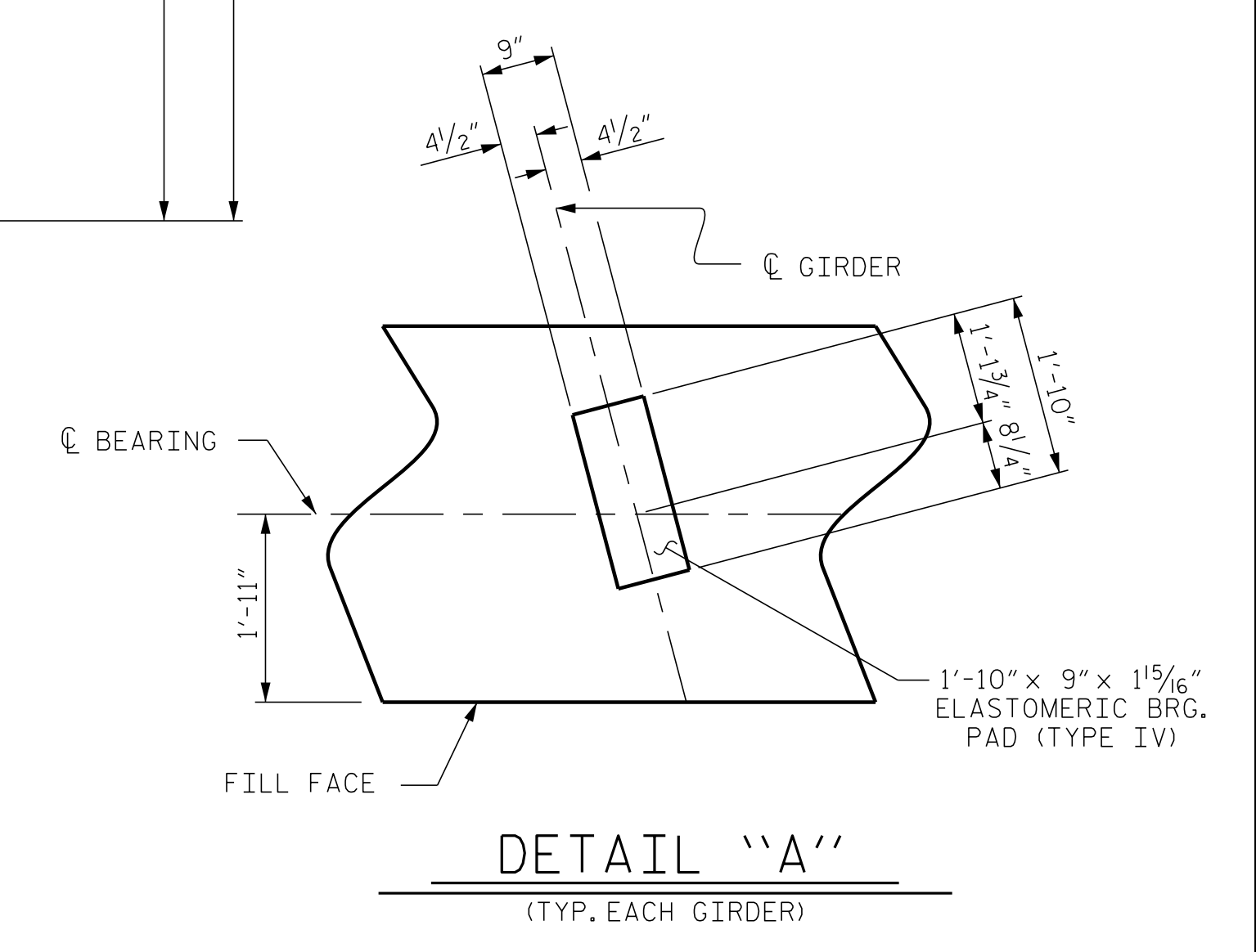


PLAN

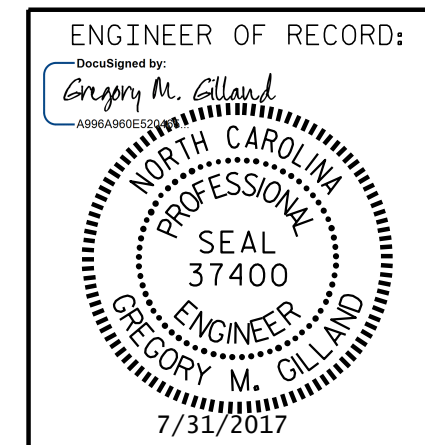


ELEVATION



DETAIL "A"  
(TYP. EACH GIRDER)

PROJECT NO. I-5506  
WAKE COUNTY  
 STATION: 50+61.09 -L-  
 SHEET 2 OF 4



1223 Jones Franklin Rd.  
 Raleigh, N.C. 27606  
 Bus: 919 851 8077  
 Fax: 919 851 8107  
 LICENSE NO. F-0377

STATE OF NORTH CAROLINA DEPARTMENT OF TRANSPORTATION RALEIGH					
SUBSTRUCTURE END BENT No. 1 STAGE II					
REVISIONS					
NO.	BY:	DATE:	NO.	BY:	DATE:
1			3		
2			4		
SHEET NO. S01-32					TOTAL SHEETS 46

DOCUMENT NOT CONSIDERED FINAL  
 UNLESS ALL SIGNATURES COMPLETED

\$FILE\$ \$DATE\$ \$TIME\$

DRAWN BY: D. HODGE DATE: 8/16  
 CHECKED BY: B.C. HUNT DATE: 10/16