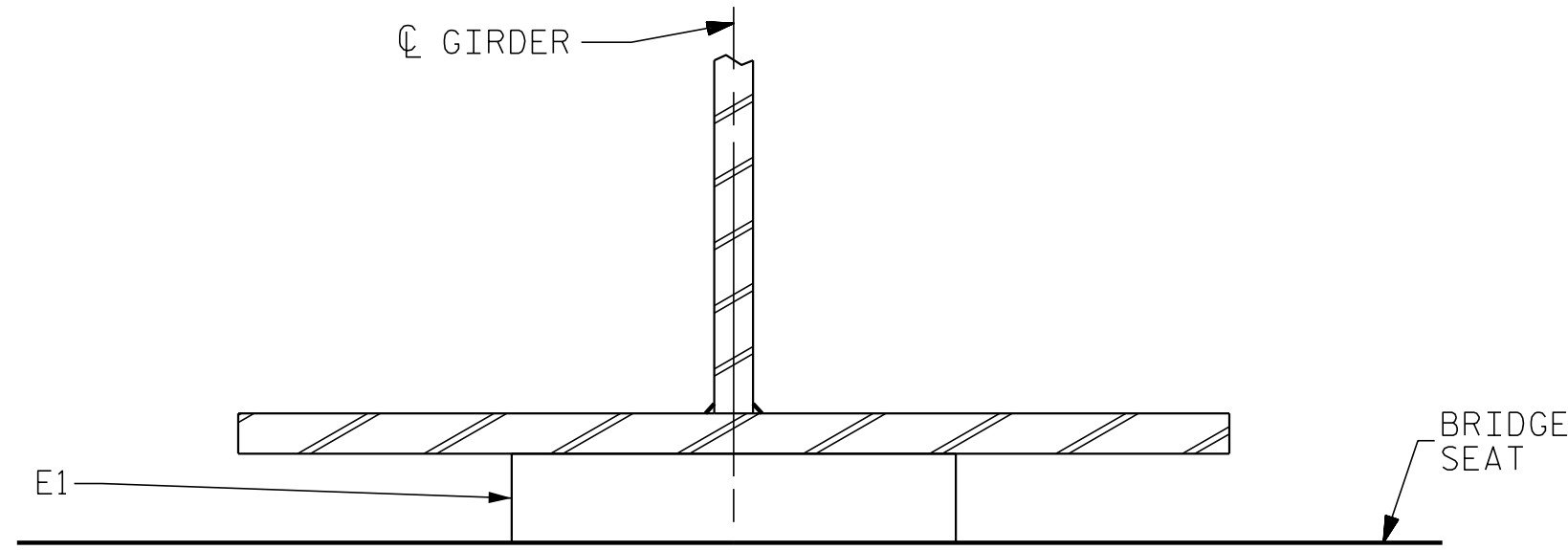


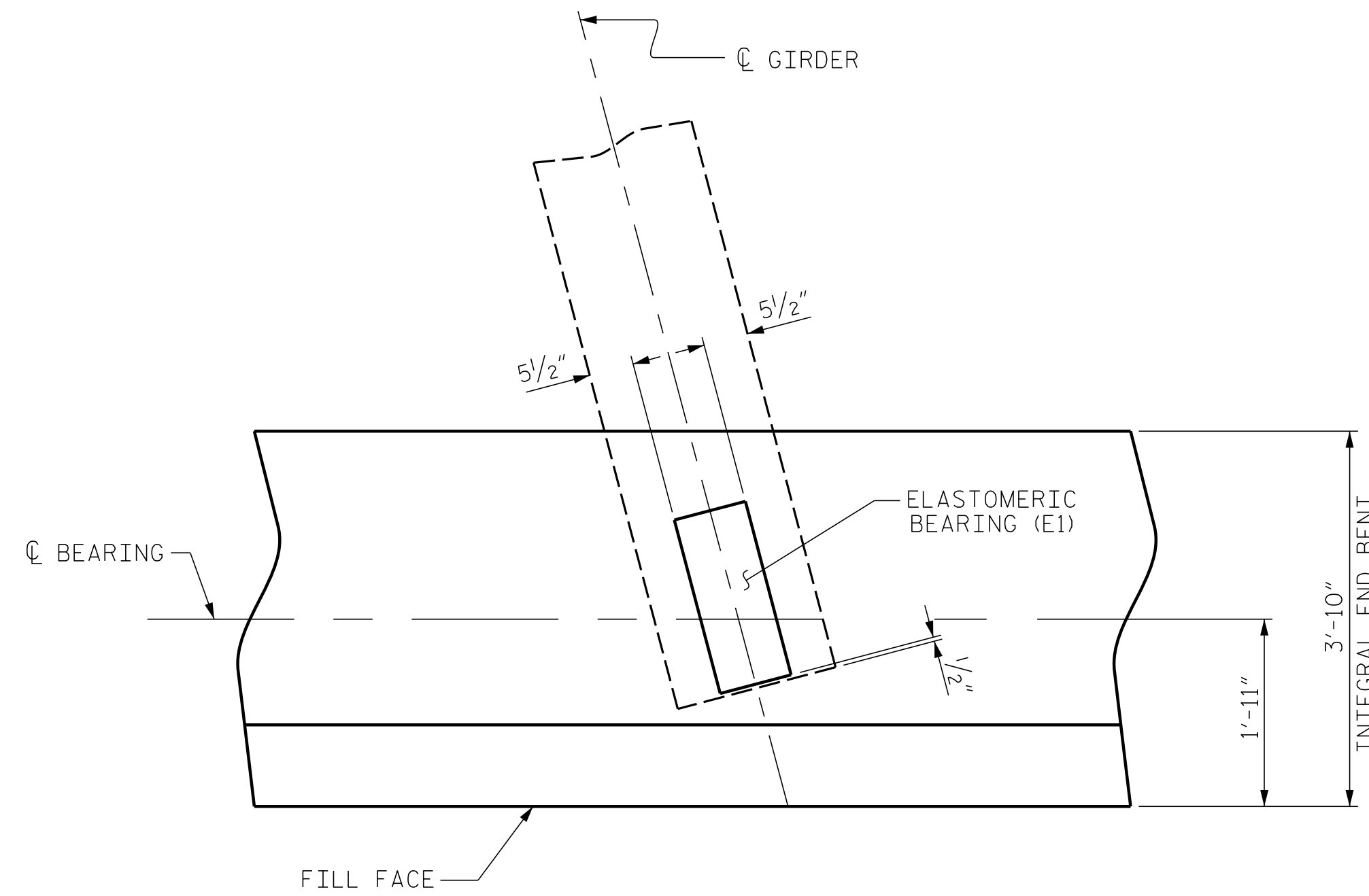
NOTES

THE ELASTOMER IN THE STEEL REINFORCED BEARINGS SHALL HAVE A SHEAR MODULUS OF 0.160 KSI, IN ACCORDANCE WITH AASHTO M251.

FOR STEEL REINFORCED ELASTOMERIC BEARINGS, SEE SPECIAL PROVISIONS.

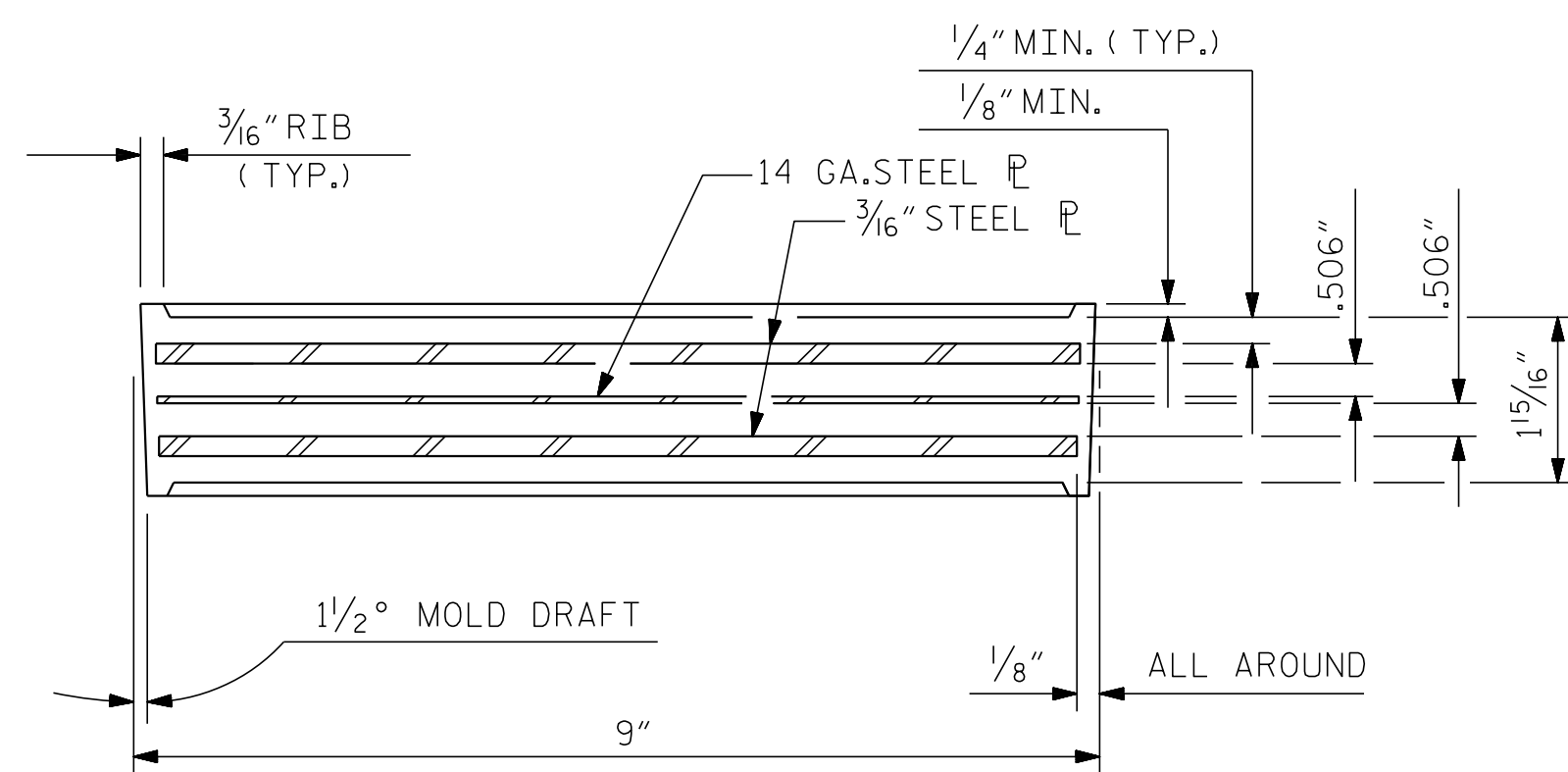


FIXED
END VIEW

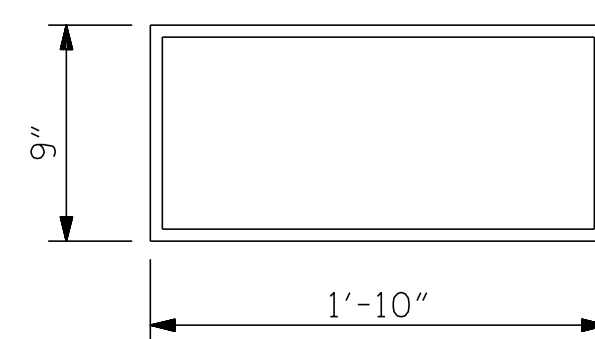


PLAN VIEW AT END BENTS

(SHOWING INTEGRAL END BENT)



TYPICAL SECTION OF ELASTOMERIC BEARINGS



E1 (20 REQ'D)
PLAN VIEW OF ELASTOMERIC BEARING

TYPE IV

MAXIMUM ALLOWABLE SERVICE LOADS	
D.L.+L.L. (NO IMPACT)	
TYPE IV	225 k

PROJECT NO. I-5506
WAKE COUNTY
STATION: 50+61.09 -L-

ENGINEER OF RECORD:
Designed by
Gregory M. Olland
NORTH CAROLINA
PROFESSIONAL
SEAL
37400
ENGINEER
GREGORY M. OLLAND
7/31/2017

ETHERILL
ENGINEERING

1223 Jones Franklin Rd.
Raleigh, N.C. 27606
Bus: 919 851 8077
Fax: 919 851 8107
LICENSE NO. F-0377

STATE OF NORTH CAROLINA
DEPARTMENT OF TRANSPORTATION
RALEIGH

ELASTOMERIC BEARING
DETAILS

REVISIONS						SHEET NO.
NO.	BY:	DATE:	NO.	BY:	DATE:	S01-22
1			3			TOTAL SHEETS
2			4			46

DOCUMENT NOT CONSIDERED FINAL
UNLESS ALL SIGNATURES COMPLETED

DRAWN BY : D. HODGE DATE : 8/16
CHECKED BY : B.C. HUNT DATE : 10/16

\$FILE\$ \$DATE\$ \$TIME\$