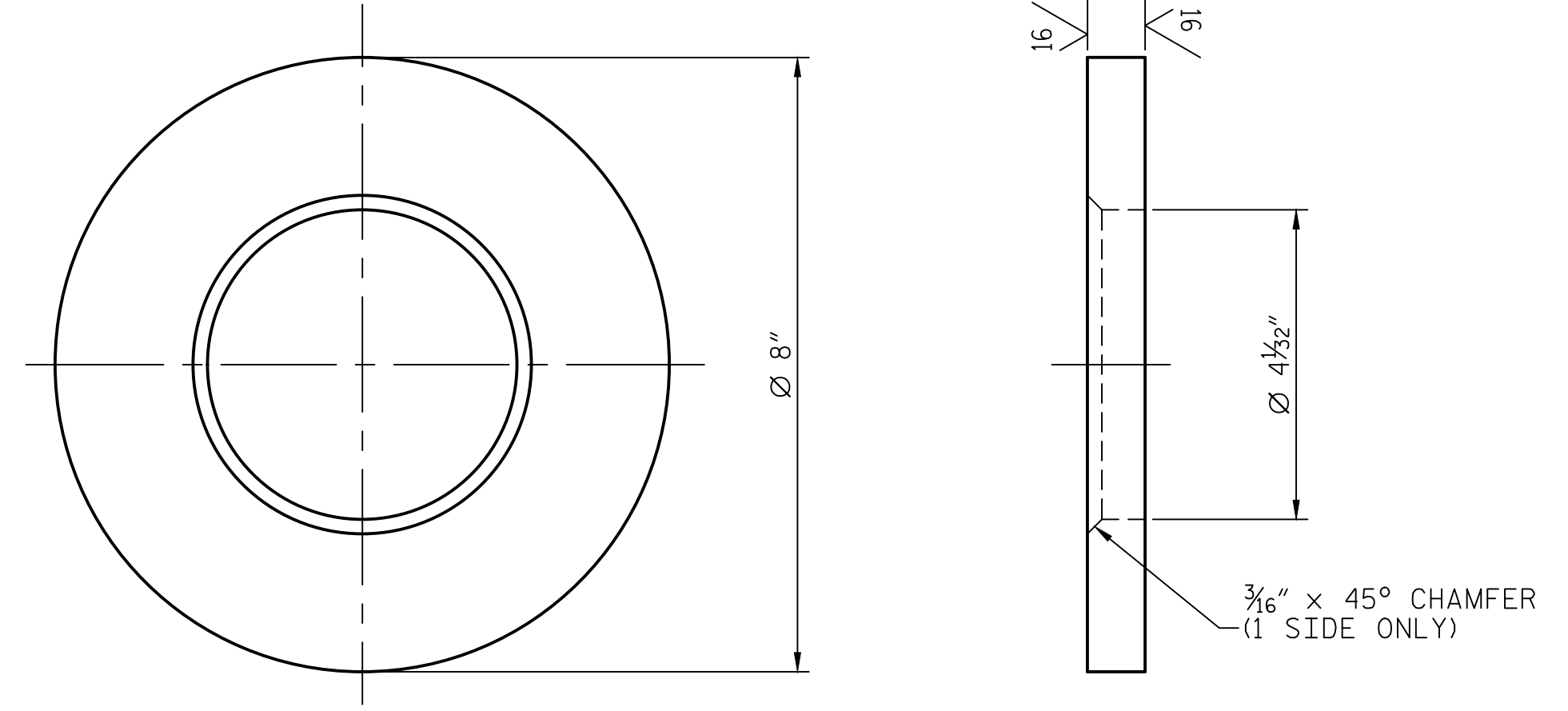
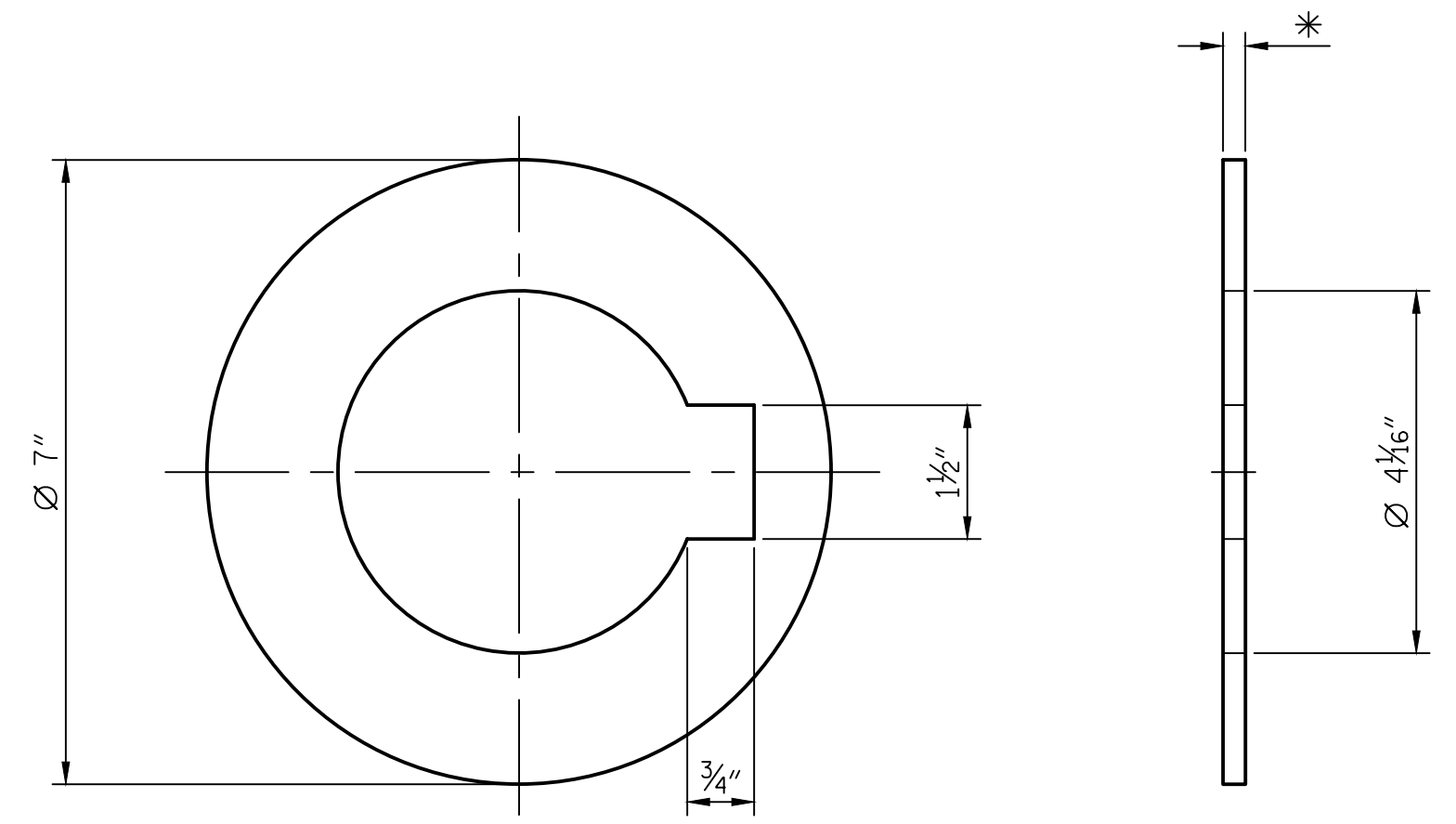


M14 LOCK NUT
SCALE: 6"=1'-0"



M15 THRUST WASHER
SCALE: 6"=1'-0"



M13 SHIM
SCALE: 6"=1'-0"

* EACH SHIM PACK SHALL BE PROVIDED WITH THE FOLLOWING THICKNESSES
QTY: THICKNESS:

1	1/4"
1	1/8"
1	1/16"
1	1/32"
1	1/64"

PROJECT NO. 15BPR.15
NEW HANOVER COUNTY
STATION: _____

STATE OF NORTH CAROLINA
DEPARTMENT OF TRANSPORTATION
RALEIGH
AUX. COUNTERWEIGHT ASSEMBLY DETAILS - 6

MODJESKI and MASTERS
Experience great bridges.
333 FAYETTEVILLE STREET, SUITE 505
RALEIGH, NC 27601
NC LICENSE NO. C-2979

NORTH CAROLINA PROFESSIONAL SEAL
044302
ENGINEER
LEE LENTZ
01/29/18
DocuSigned by:
Lee Lentz
208778E8B8F4C6

REVISIONS						SHEET NO.
NO.	BY:	DATE:	NO.	BY:	DATE:	TOTAL SHEETS
1			3			MA-8
2			4			10(A)

DOCUMENT NOT CONSIDERED FINAL UNLESS ALL SIGNATURES COMPLETED

LAST SAVED 1/24/2018 4:32 PM BY EASAMPLE
 LAST PLOTTED 1/29/2018 10:29 AM
 FILE: \\mimdd01\proj\objects\15682.01\CADD\Mechanical\MA-8 AUX. COUNTERWEIGHT ASSEMBLY DETAILS - 6

DESIGNED BY: E. A. SAMPLE DATE : 08/17/17
 DRAWN BY: J. M. SHOUP DATE : 08/17/17
 CHECKED BY: L. R. LENTZ DATE : 01/25/18
 DESIGN ENGINEER OF RECORD: L. R. LENTZ DATE : 01/25/18