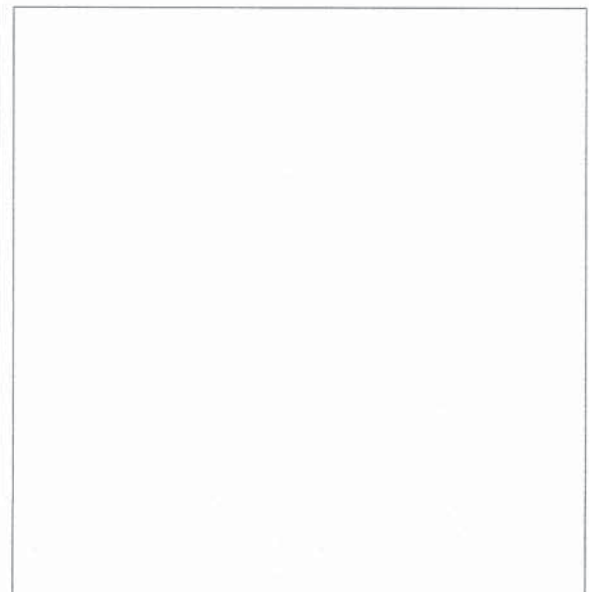


ALL REPORTS, PLANS, SPECIFICATIONS AND COMPUTER FILES RELATING TO THIS PROJECT ARE THE PROPERTY OF CRABTREE, ROHRBAUGH & ASSOCIATES. CRABTREE, ROHRBAUGH & ASSOCIATES RETAINS ALL COPYRIGHT, PATENT AND OTHER RESERVED RIGHTS INCLUDING THE COPYRIGHT. REPRODUCTION OF THE MATERIAL HEREIN OR SUBSTANTIAL USE WITHOUT WRITTEN PERMISSION OF CRABTREE, ROHRBAUGH & ASSOCIATES VIOLATES THE COPYRIGHT LAWS OF THE UNITED STATES AND WILL BE SUBJECT TO LEGAL PROSECUTION.
© CRABTREE, ROHRBAUGH & ASSOCIATES, INC. 2017



REVISIONS		
NO.	DATE	DESCRIPTION OF CHANGES

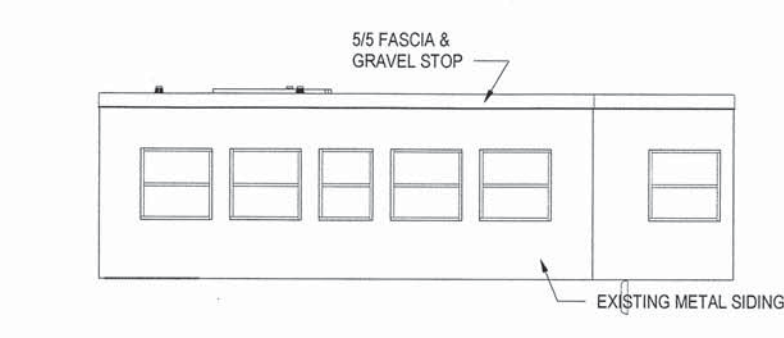
CRABTREE ROHRBAUGH & ASSOCIATES - ARCHITECTS
 250 WEST MAIN STREET, SUITE 200
 CHARLOTTESVILLE VA 22902
 434-975-7262 FAX 434-975-7263
www.cra-architects.com

401 EAST WINDING HILL ROAD
 MECHANICSBURG PA 17055
 717-458-0272 FAX 717-458-0047

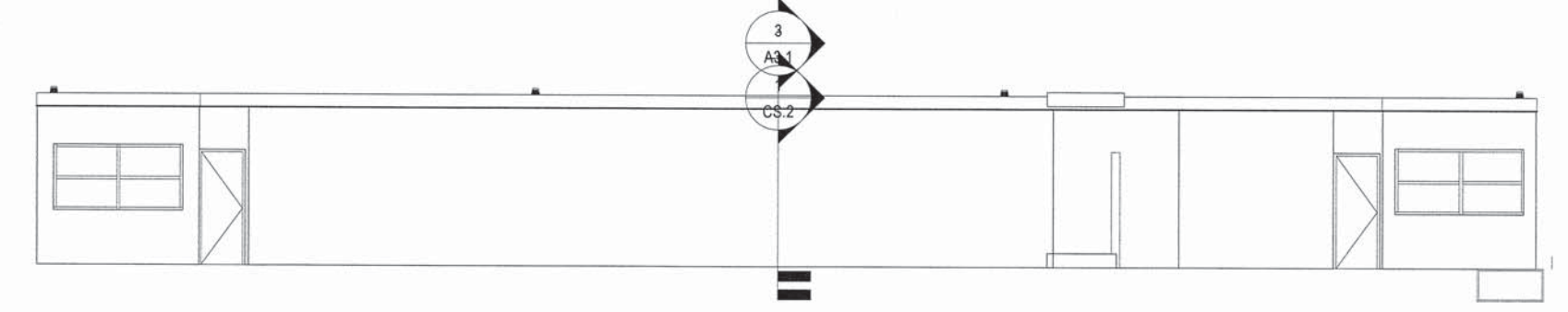
RENOVATIONS TO
 CAPE FEAR RIVER MEMORIAL LIFT BRIDGE
 NORTH CAROLINA DEPT. OF TRANSPORTATION



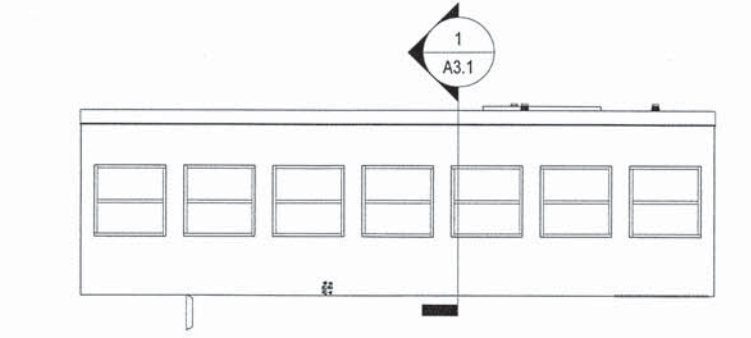
OVERALL EXTERIOR ELEVATIONS
 PROJECT 15BPR.15
 A2.1



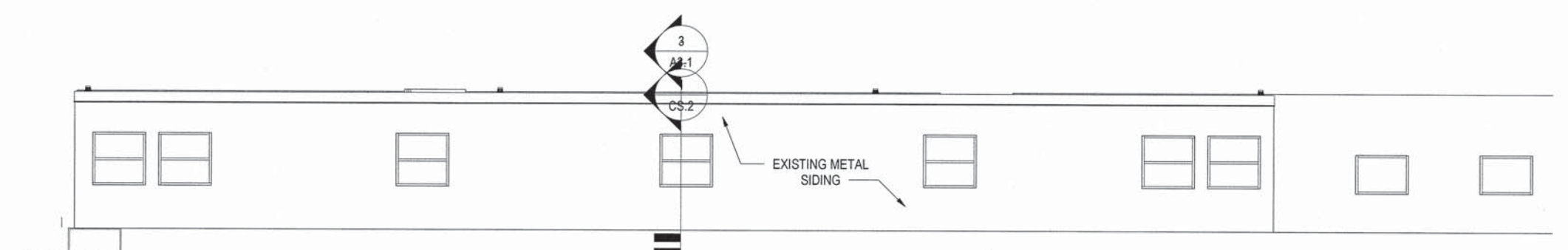
1 NORTH ELEVATION
 A2.1 1/8" = 1'-0"



2 WEST ELEVATION
 A2.1 1/8" = 1'-0"



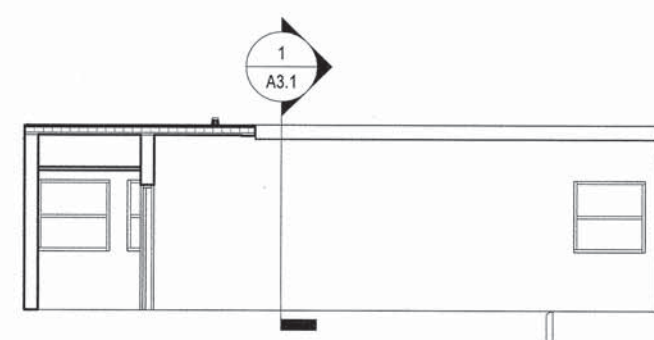
3 SOUTH ELEVATION
 A2.1 1/8" = 1'-0"



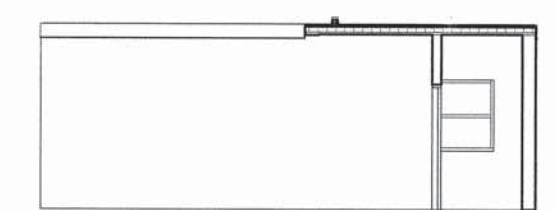
4 EAST ELEVATION
 A2.1 1/8" = 1'-0"



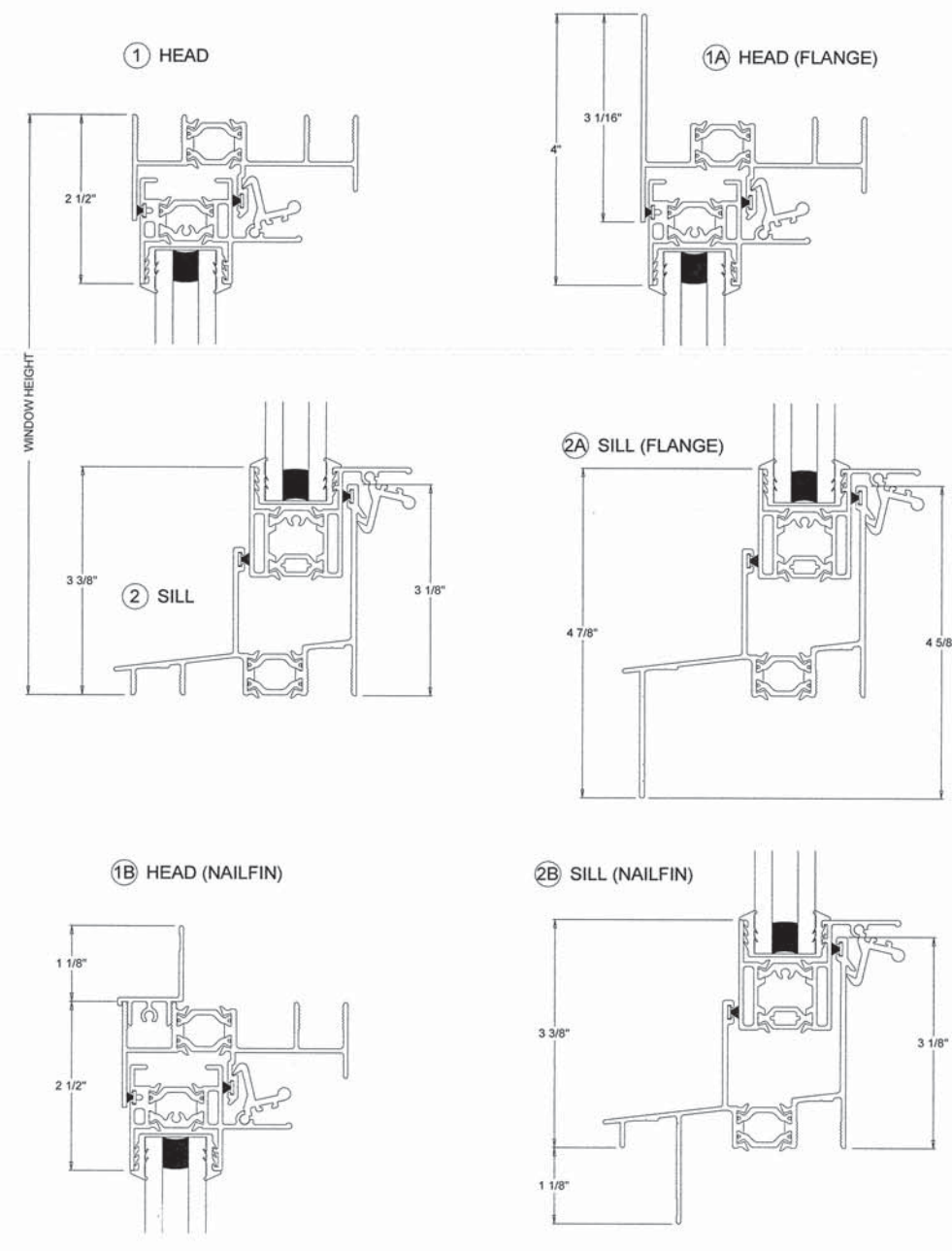
5 SECTION A - A
 A2.1 1/8" = 1'-0"



6 SECTION B - B
 A2.1 1/8" = 1'-0"



7 SECTION C - C
 A2.1 1/8" = 1'-0"



8 ALUMINUM DOUBLE HUNG WINDOW DETAILS
 A2.1 1/2" = 1'-0"

www.traco.com