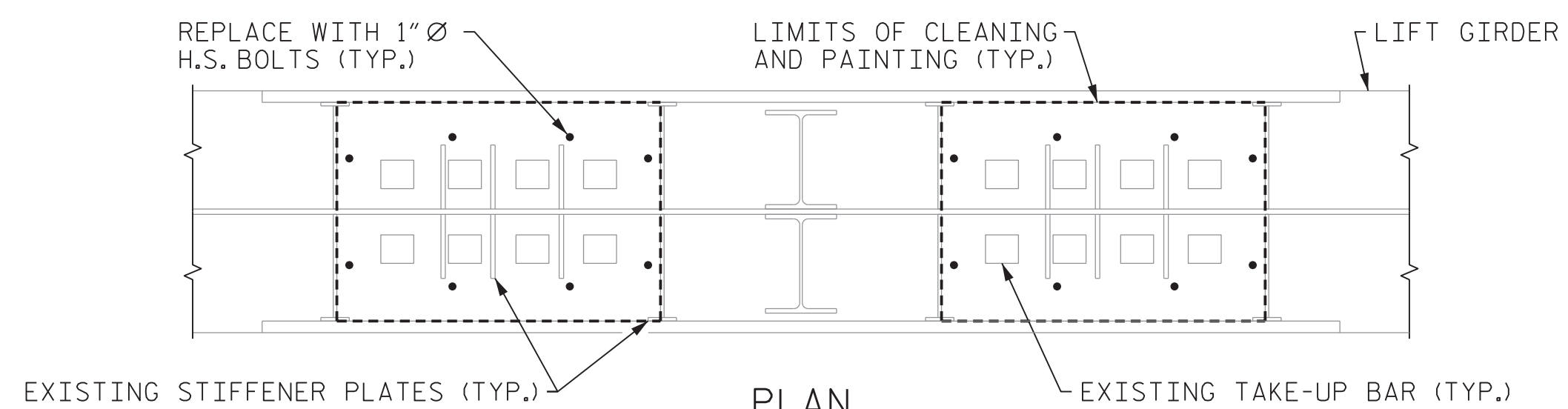


ELEVATION



PLAN

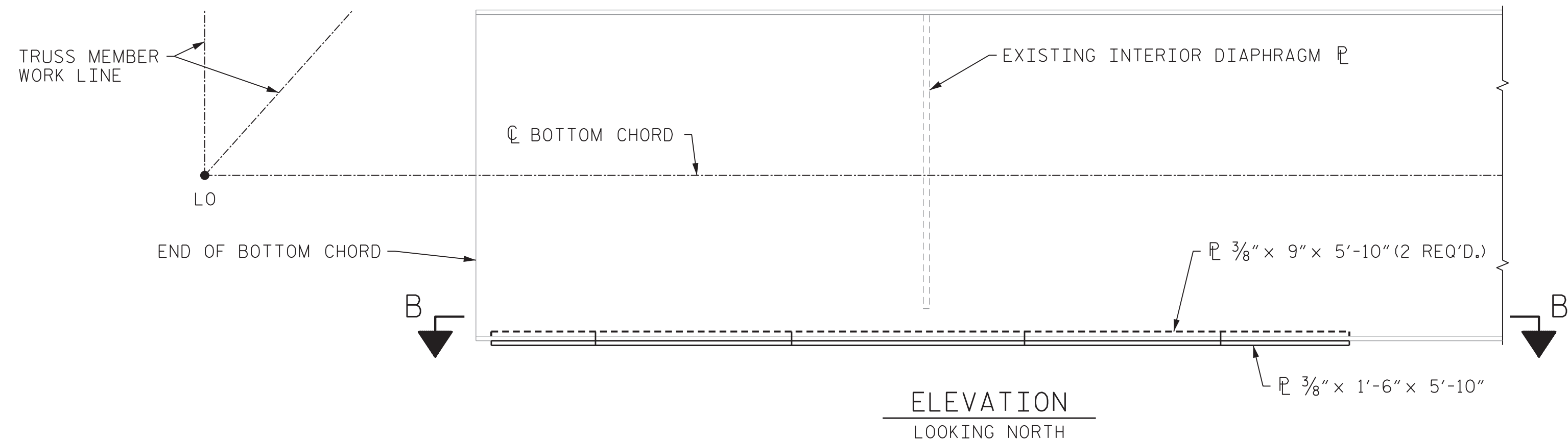
**REPAIR (8)**

4 LOCATIONS

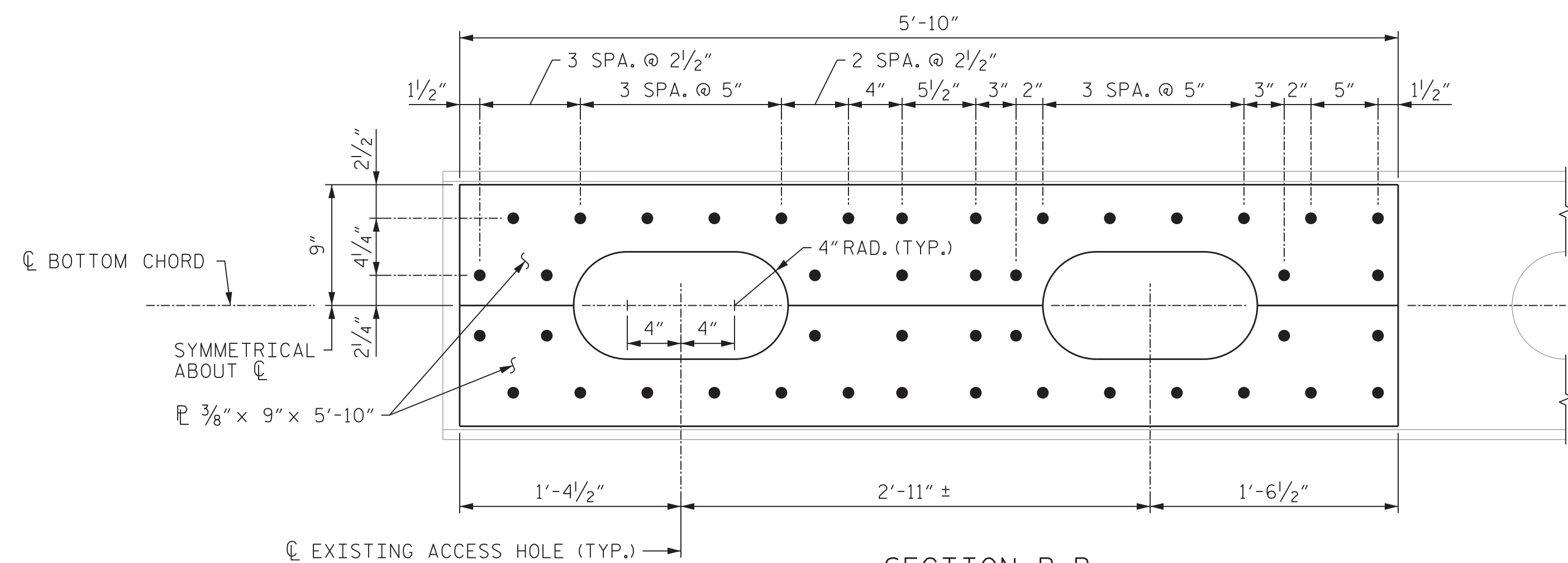
WITHIN LIMITS SHOWN, CLEAN AND PAINT TOP OF BOTTOM FLANGE, GIRDER WEB, STIFFENER PLATES, TAKE-UP BARS, AND NEW FASTENERS.

AFTER CLEANING AND PRIOR TO PAINTING, PLACE SEALANT AROUND TAKE-UP BARS AT BOTTOM FLANGE. REMOVE ANY EXISTING SEALANT PRIOR TO PLACING NEW SEALANT.

BOLTS SHALL BE REPLACED ONE AT A TIME.



ELEVATION  
LOOKING NORTH



SECTION B-B

**LO-L1 TRUSS REPAIR**

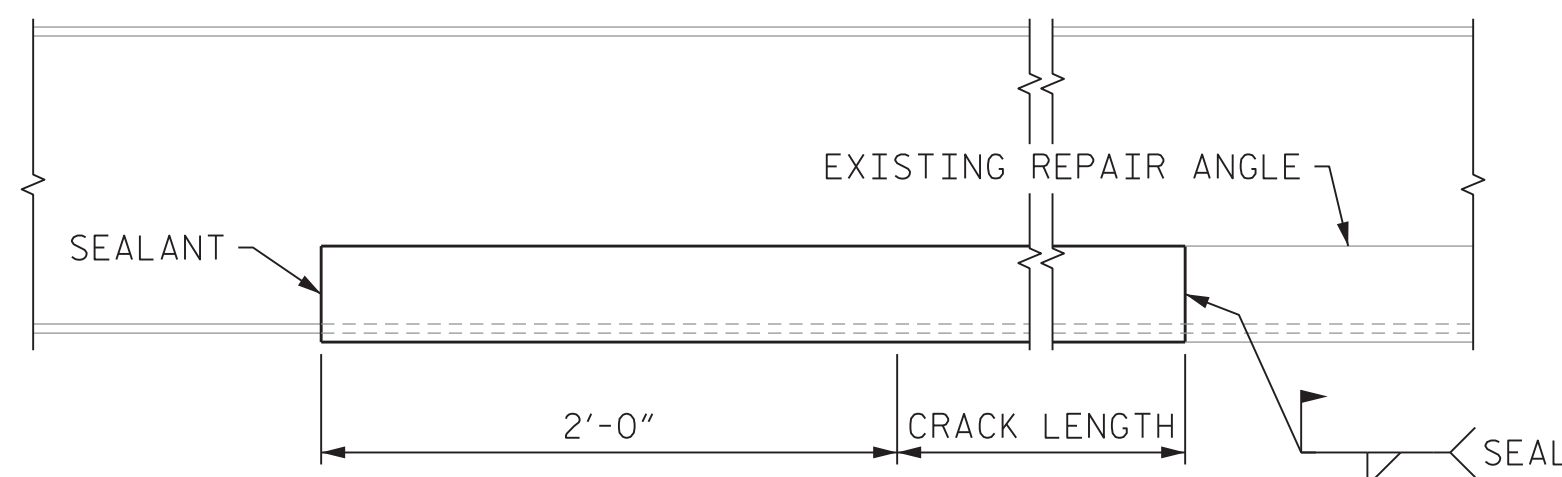
GUSSET PLATES AND FASTENERS NOT SHOWN FOR CLARITY

**REPAIR (9)**

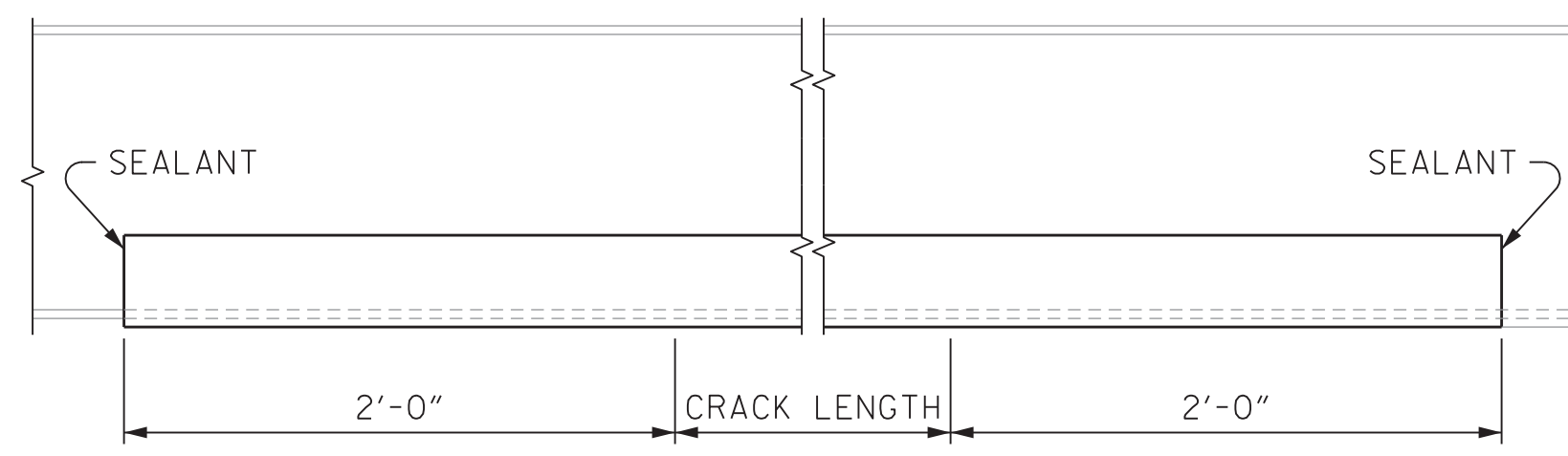
2 LOCATIONS

**NOTES:**

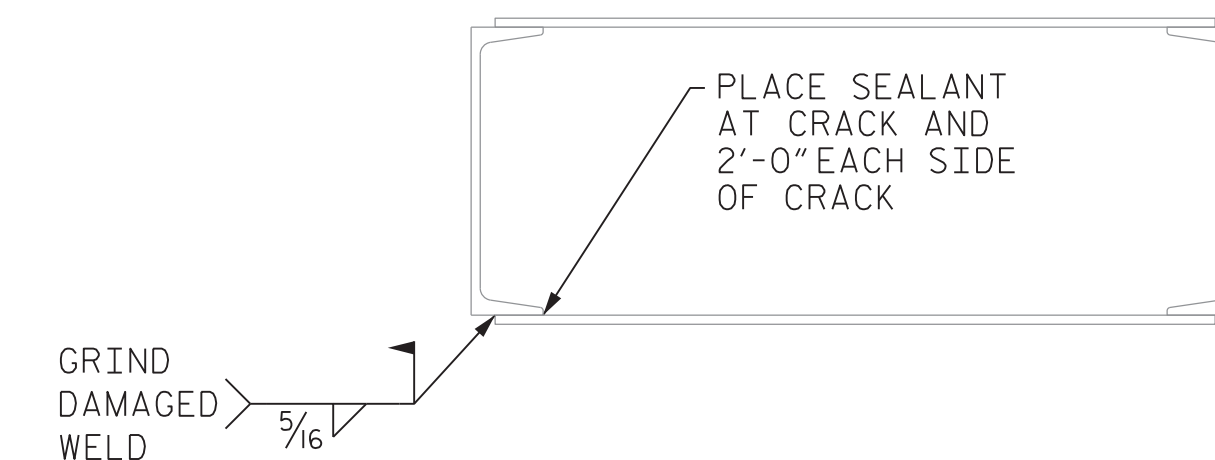
FOR NOTES AND BOLT LEGEND, SEE SHEET 1 OF 3



TOWER LATERAL REPAIR 1

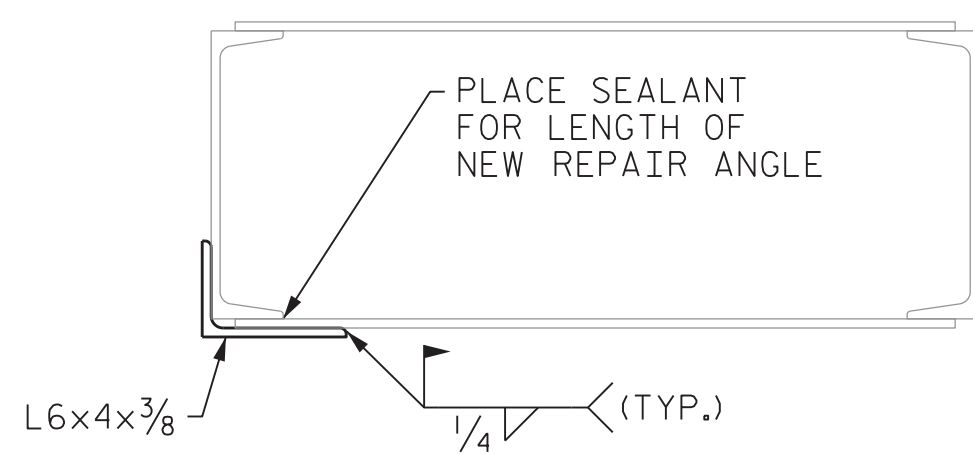


TOWER LATERAL REPAIR 2



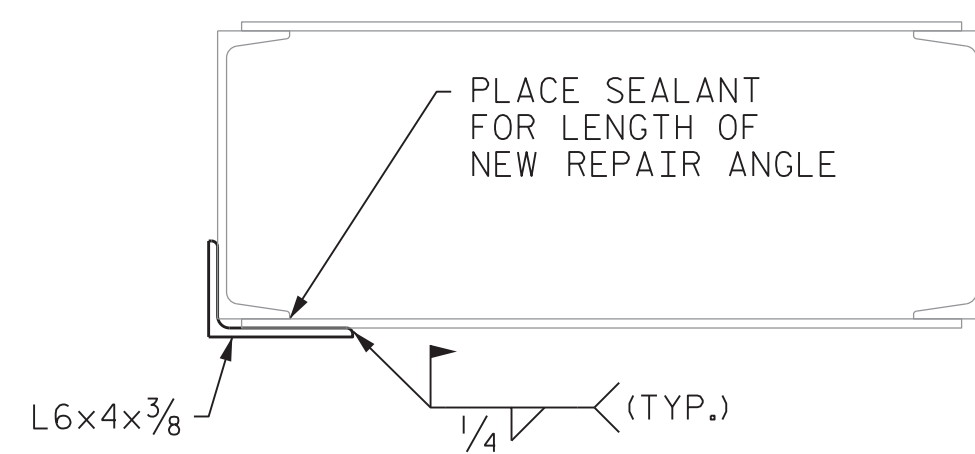
**REPAIR (11)**

2 LOCATIONS



**REPAIR (10)**

1 LOCATION



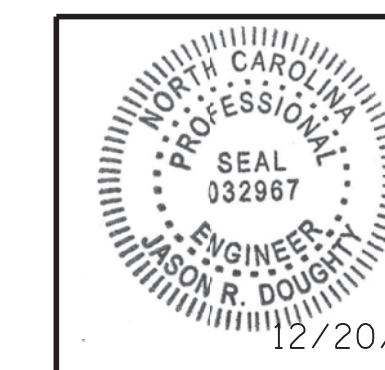
TOWER LATERAL REPAIR 3

**REPAIR (12)**

1 LOCATION



333 FAYETTEVILLE STREET, SUITE 505  
RALEIGH, NC 27601  
NC LICENSE NO. C-2979



DocuSigned by:  
Jason R. Doughty  
5F73FA2DEA674E3...

PROJECT NO. 15BPR.15  
NEW HANOVER COUNTY

STATION: \_\_\_\_\_

SHEET 3 OF 3

STATE OF NORTH CAROLINA  
DEPARTMENT OF TRANSPORTATION  
RALEIGH  
LIFT SPAN  
STRUCTURAL STEEL  
REPAIRS

REVISIONS

NO.	BY:	DATE:	NO.	BY:	DATE:
1			3		
2			4		

SHEET NO.  
S-28  
TOTAL SHEETS  
66

12/20/2017 400\_055\_368202\_SML\_5583\_640013.dgn

DESIGNED BY: B. LOFLIN DATE: NOV 2017  
DRAWN BY: K. WHITE DATE: NOV 2017  
CHECKED BY: J. DOUGHTY DATE: DEC 2017  
DESIGN ENGINEER OF RECORD: J. DOUGHTY DATE: DEC 2017

**DOCUMENT NOT CONSIDERED FINAL  
UNLESS ALL SIGNATURES COMPLETED**