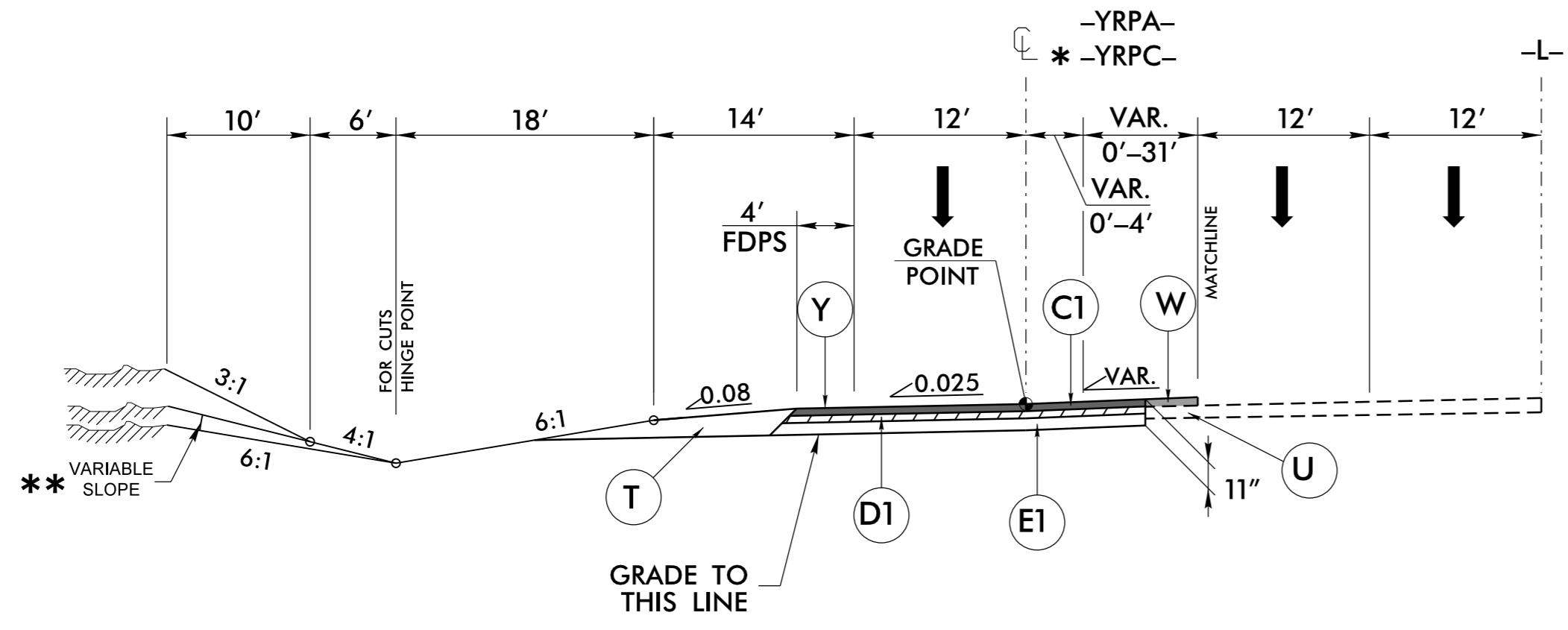


5/14/99

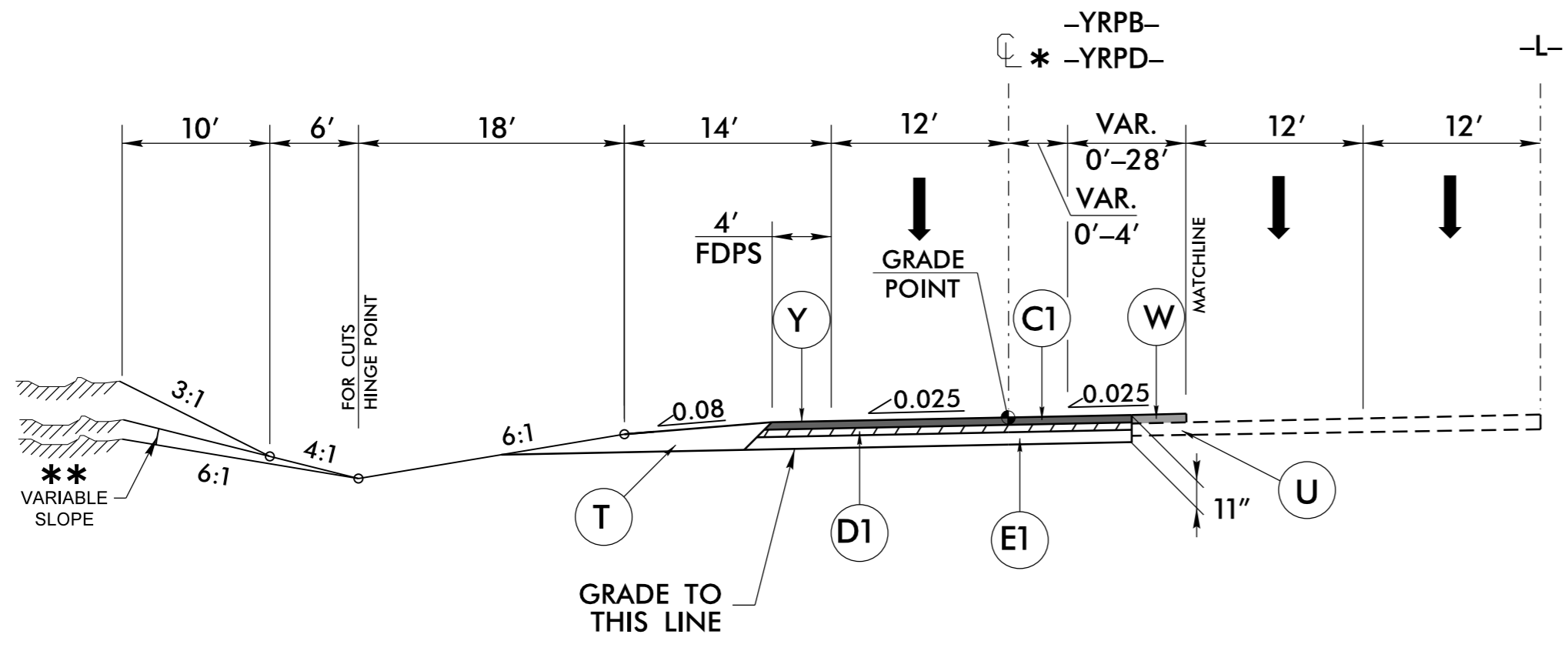
PROJECT REFERENCE NO. R-5749	SHEET NO. 2A-2
DOCUMENT NOT CONSIDERED FINAL UNLESS ALL SIGNATURES COMPLETED	
ROADWAY DESIGN ENGINEER 	PAVEMENT DESIGN ENGINEER
CDM Smith Inc. 5400 Glenwood Avenue Suite 400 Raleigh, NC 27612-3228 NC CCA No. F-1255	



TYPICAL SECTION NO. 1A

USE TYPICAL SECTION NO. 1A IN CONJUNCTION WITH TYPICAL SECTION NO. 1:
 * MIRROR FOR -L/-YRPC-
 ** SEE CROSS SECTIONS FOR VARIABLE SLOPES.

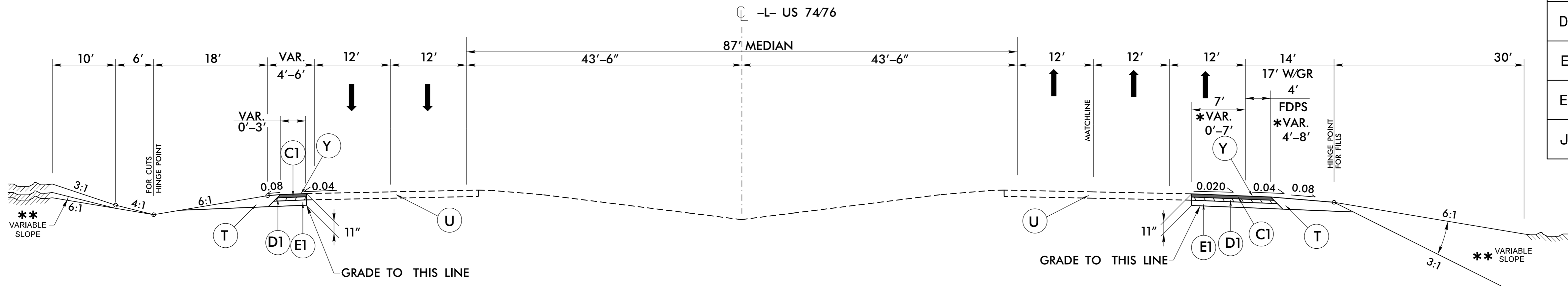
- L- STA. 65+66.54 TO STA. 70+00.00/-YRPA- STA. 5+00.00 TO STA. 9+32.80
- * -L- STA. 32+30.00 TO STA. 36+90.60/-YRPC- STA. 5+00.00 TO STA. 9+39.95



TYPICAL SECTION NO. 1B

USE TYPICAL SECTION NO. 1B IN CONJUNCTION WITH TYPICAL SECTION NO. 1:
 * MIRROR FOR -L/-YRPD-
 ** SEE CROSS SECTIONS FOR VARIABLE SLOPES.

- L- STA. 32+14.89 TO STA. 36+52.56/-YRPB- STA. 5+00.00 TO STA. 9+32.98
- * -L- STA. 66+37.58 TO STA. 71+13.15/-YRPD- STA. 5+00.00 TO STA. 9+73.96



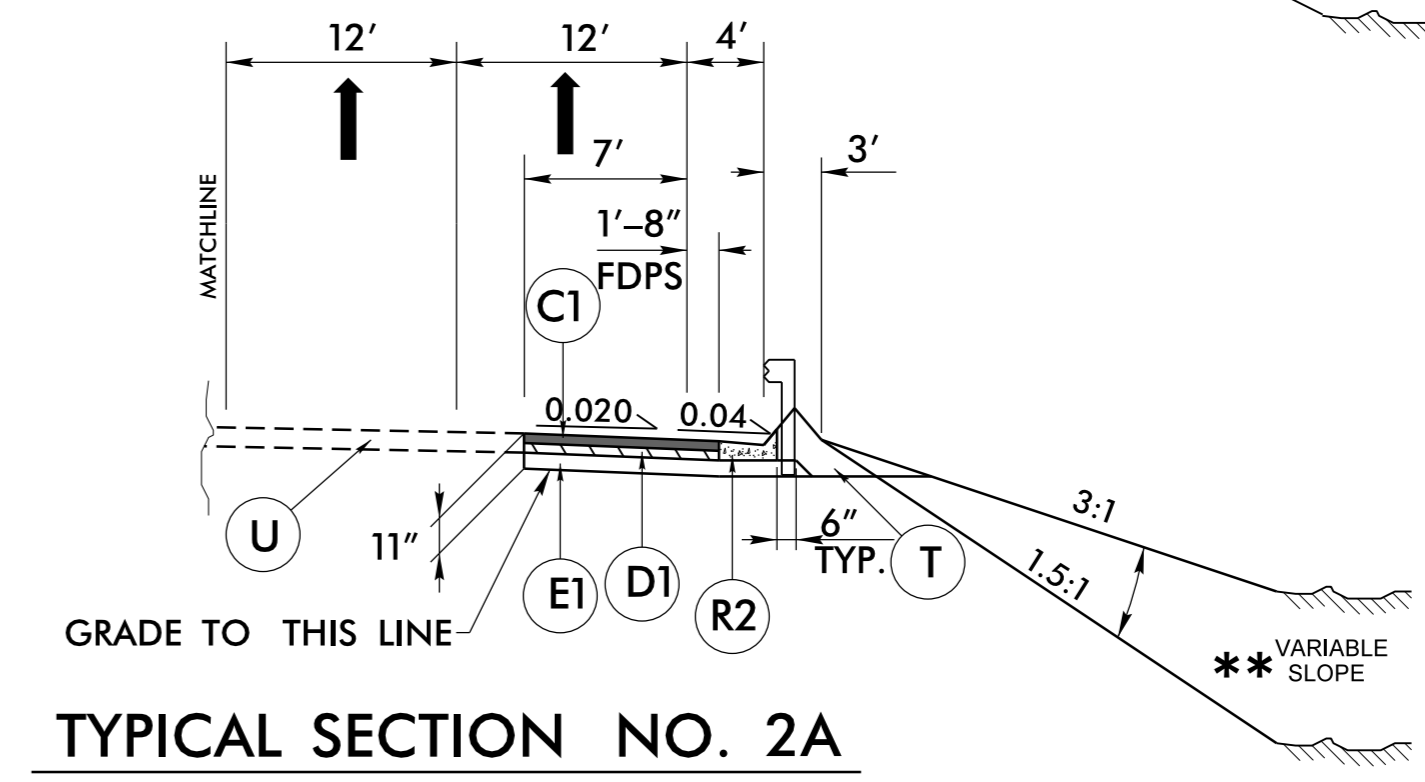
TYPICAL SECTION NO. 2

SEE AGGREGATE SUBGRADE DETAIL ON SHEET 2A-1 FOR LOCATIONS WITHIN TYPICAL SECTION NO. 2

USE TYPICAL SECTION NO. 2

- L- RT STA. 71+25.00 TO STA. 80+13.15
- L- LT STA. 71+25.00 TO STA. 71+64.94
- * -L- RT STA. 80+13.15 TO STA. 83+14.00

** SEE CROSS SECTIONS FOR VARIABLE SLOPES.



TYPICAL SECTION NO. 2A

USE TYPICAL SECTION NO. 2A IN CONJUNCTION WITH TYPICAL SECTION NO. 2:
 -L- RT STA. 71+42.97 TO STA. 73+55.47

PAVEMENT SCHEDULE		
C1	3" S9.5C	J2 10" ABC
C2	1.5" S9.5C	L1 CLASS IV SUBGRADE STABILIZATION
C3	VAR. S9.5C	N1 GEOTEXTILE FOR SOIL STABILIZATION
C4	3" S9.5B	P1 .35 PRIME COAT
C5	VAR. S9.5B	R1 5" MONO. CONC. (K.I.)
C6	1.5" S9.5B	R2 SHOULDER BERM GUTTER (SBG)
C7	2" S9.5B	T EARTH MATERIAL
D1	4" I19.0C	U EXIST. PAVEMENT
D2	VAR. I19.0C	V INCIDENTAL MILLING
D3	2.5" I19.0B	W WEDGING
D4	VAR. I19.0B	W1 WEDGING
E1	4" B25.0C	W2 WEDGING
E2	VAR. B25.0C	Y MILLED RUMBLE STRIP
J1	8" ABC	PAVEMENT EDGESLOPES 1:1 UNLESS NOTED OTHERWISE

Invalid ExpressTag RB749_Rdy_tup.dgn
 USER: R0151001