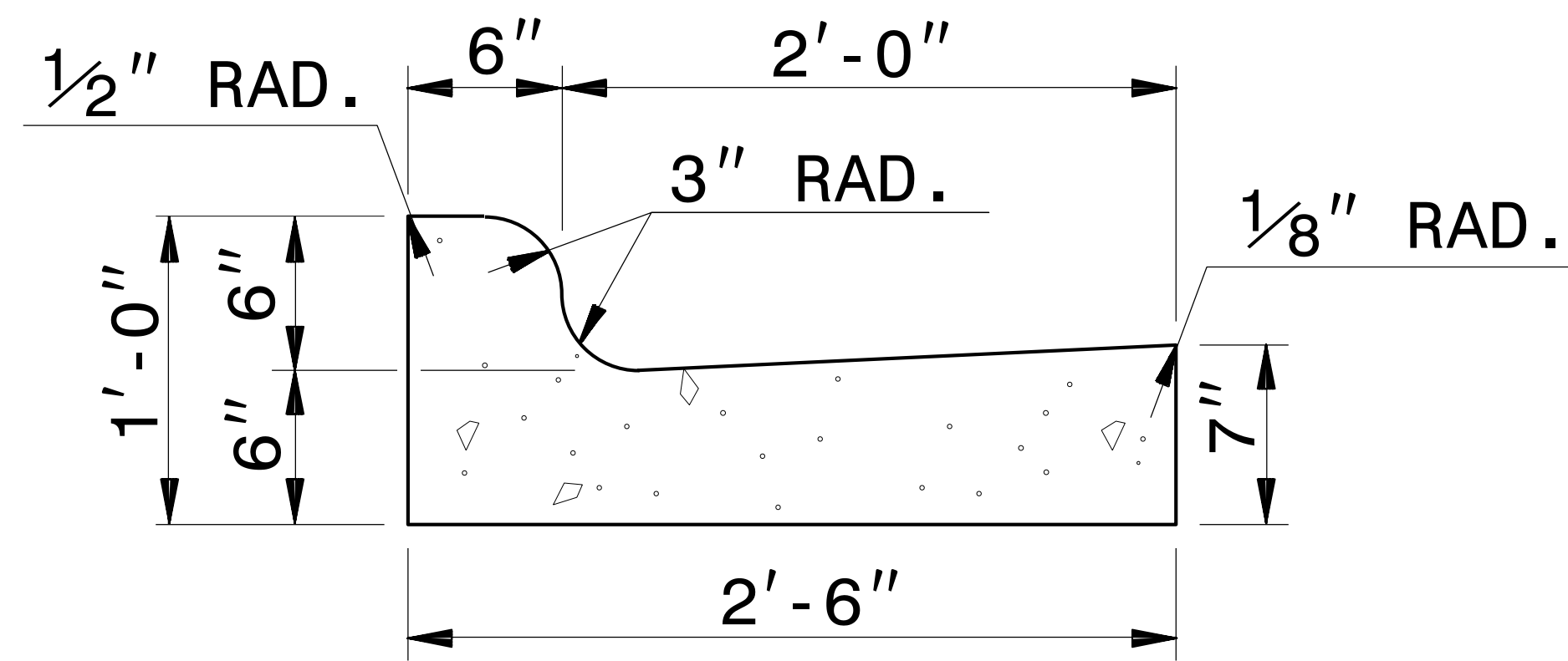
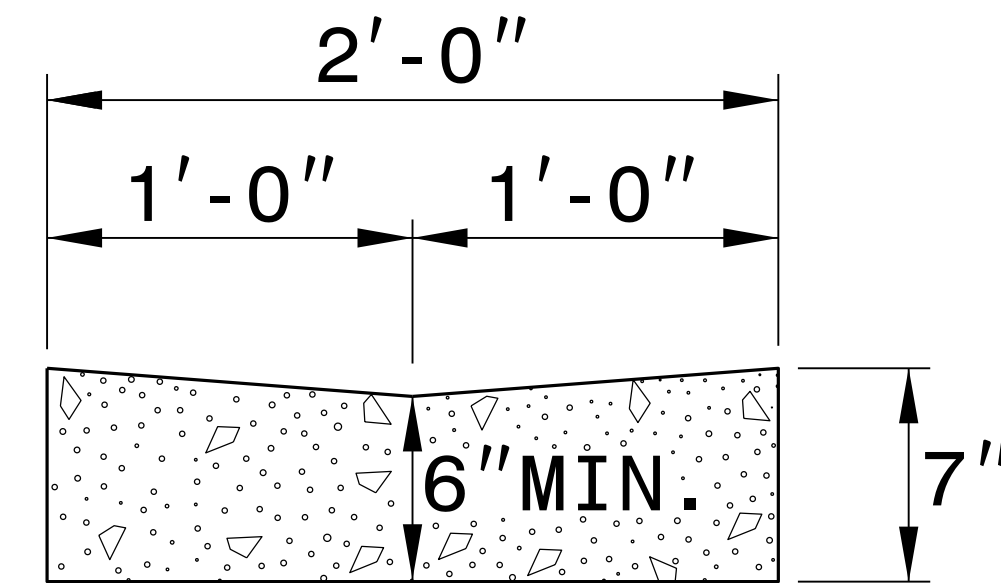


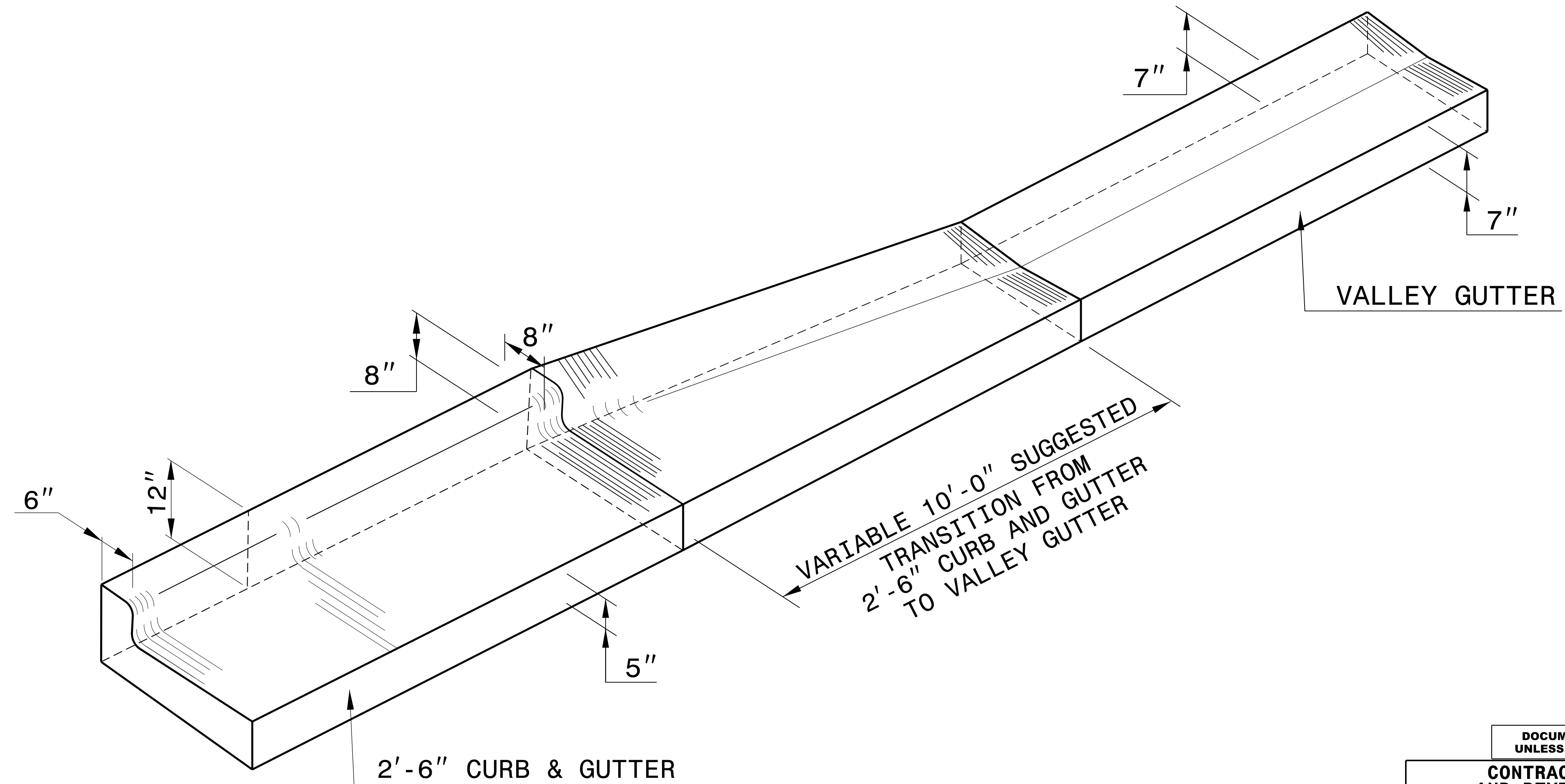
*NOTE: SEE STD. DWG. 846.01
FOR GENERAL NOTES



2'-6" CURB AND GUTTER



VALLEY GUTTER



ISOMETRIC VIEW OF TRANSITION

12/5/2017



DOCUMENT NOT CONSIDERED FINAL
UNLESS ALL SIGNATURES COMPLETED

**CONTRACT STANDARDS
AND DEVELOPMENT UNIT**
Office 919-707-6950 FAX 919-250-4119

**TRANSITION FROM
2'-6" CURB AND GUTTER
TO VALLEY GUTTER**

ORIGINAL BY: T.S. SPELL DATE: FEB. 4, 2009
MODIFIED BY: DATE:
CHECKED BY: DATE:
FILE SPEC.: w:\usr\details\stand\cgtransit.dgn