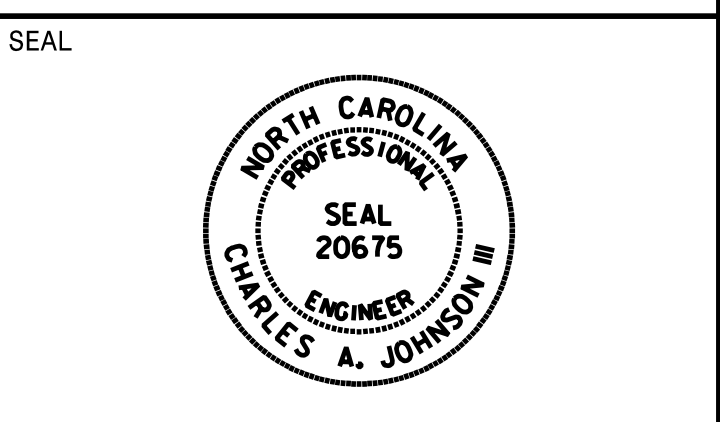


APPROVED: *Charles A. Johnson, III*
58A1565847F54A6
 DATE: 10/20/2017



**DOCUMENT NOT CONSIDERED FINAL
UNLESS ALL SIGNATURES COMPLETED**

SIGN NUMBER: 204,205A BACKG COLOR: Green
 TYPE: A COPY COLOR: White
 QUANTITY: 2

| SYMBOL | X | Y | WID | HT |
|--------------|------|-----|------|-------|
| Type A Arrow | 67.7 | 6.6 | 18.3 | 29.25 |

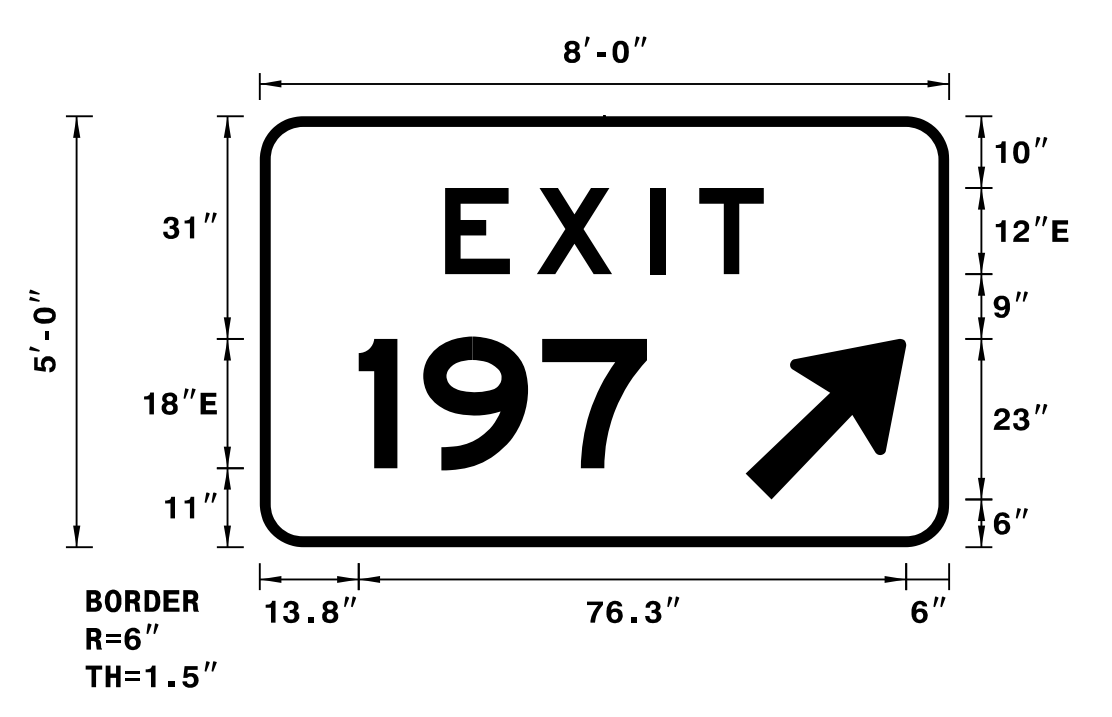
SIGN WIDTH: 8'-0"
 HEIGHT: 5'-0"
 TOTAL AREA: 40.0 Sq.Ft.

BORDER TYPE: FLUSH
 RECESS: 0"
 WIDTH: 1.5"
 RADII: 6"

MAT'L: 0.125" ALUMINUM

NO. Z BARS: 2
 LENGTH: 88.0

DESIGN BY: TRT CHECKED BY: ADK/CAJ
 PROJECT ID: R-2707F DIV: 12 DATE: June 2017



Spacing Factor is 1 unless specified otherwise
 Spacing Factor for "EXIT" is 2.25

NOTES:
 1. Legend and border shall be direct applied Grade C reflective sheeting.
 2. Arrow shall be Grade C reflective sheeting on 0.032" aluminum and demountable.
 3. Background shall be Grade C reflective sheeting.

LETTER POSITIONS

| Letter spacings are to start of next letter | | | | | | | | | | Series/Size |
|---|------|------|------|------|------|--|--|--|--|-------------|
| | | | | | | | | | | Text Length |
| | E | X | I | T | | | | | | E 2000 |
| 25.8 | 12.8 | 15.8 | 6.8 | 9 | 25.8 | | | | | 44.4 |
| | 1 | 9 | 7 | | | | | | | E 2000 |
| 13.8 | 9 | 16.6 | 14.6 | 42.1 | | | | | | 40.1 |

SIGN NUMBER: 205B,206B BACKG COLOR: Yellow
 TYPE: B COPY COLOR: Black
 QUANTITY: 2

| SYMBOL | X | Y | WID | HT |
|--------------|------|-----|------|-------|
| Type A Arrow | 67.7 | 6.6 | 18.3 | 29.25 |

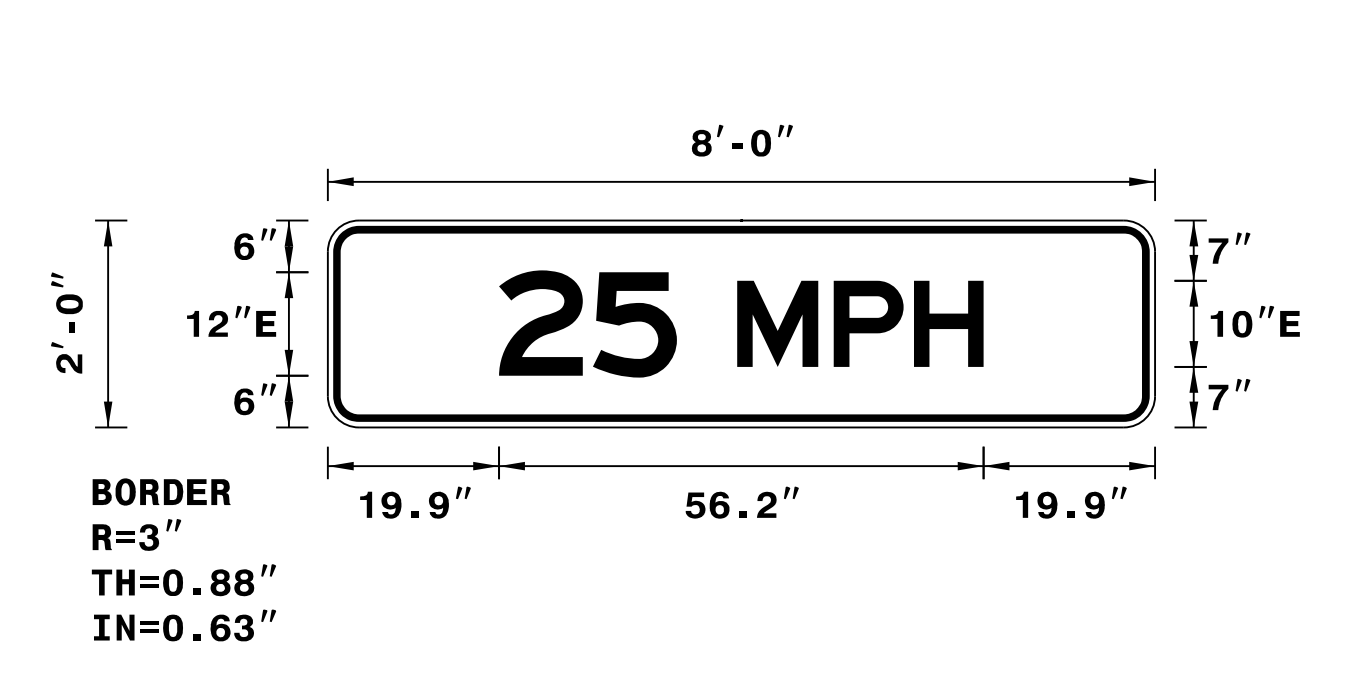
SIGN WIDTH: 8'-0"
 HEIGHT: 2'-0"
 TOTAL AREA: 16.0 Sq.Ft.

BORDER TYPE: RECESSED
 RECESS: 0.63"
 WIDTH: 0.88"
 RADII: 3"

MAT'L: 0.125" ALUMINUM

NO. Z BARS: 2
 LENGTH: 88.0

DESIGN BY: TRT CHECKED BY: ADK/CAJ
 PROJECT ID: R-2707F DIV: 12 DATE: June 2017



Spacing Factor is 1 unless specified otherwise

NOTES:
 1. Legend, border, and arrows shall be direct applied non-reflective sheeting.
 2. Background shall be Grade C reflective sheeting.

LETTER POSITIONS

| Letter spacings are to start of next letter | | | | | | | | | | Series/Size |
|---|------|-----|---|------|-----|-----|------|--|--|-------------|
| | | | | | | | | | | Text Length |
| | 2 | 5 | M | P | H | | | | | E 2000 |
| 19.9 | 10.9 | 9.7 | 7 | 11.2 | 9.3 | 8.1 | 19.9 | | | 59.2 |

SIGN NUMBER: 206A BACKG COLOR: Green
 TYPE: A COPY COLOR: White
 QUANTITY: 1

| SYMBOL | X | Y | WID | HT |
|--------------|------|-----|------|-------|
| Type A Arrow | 67.7 | 6.6 | 18.3 | 29.25 |

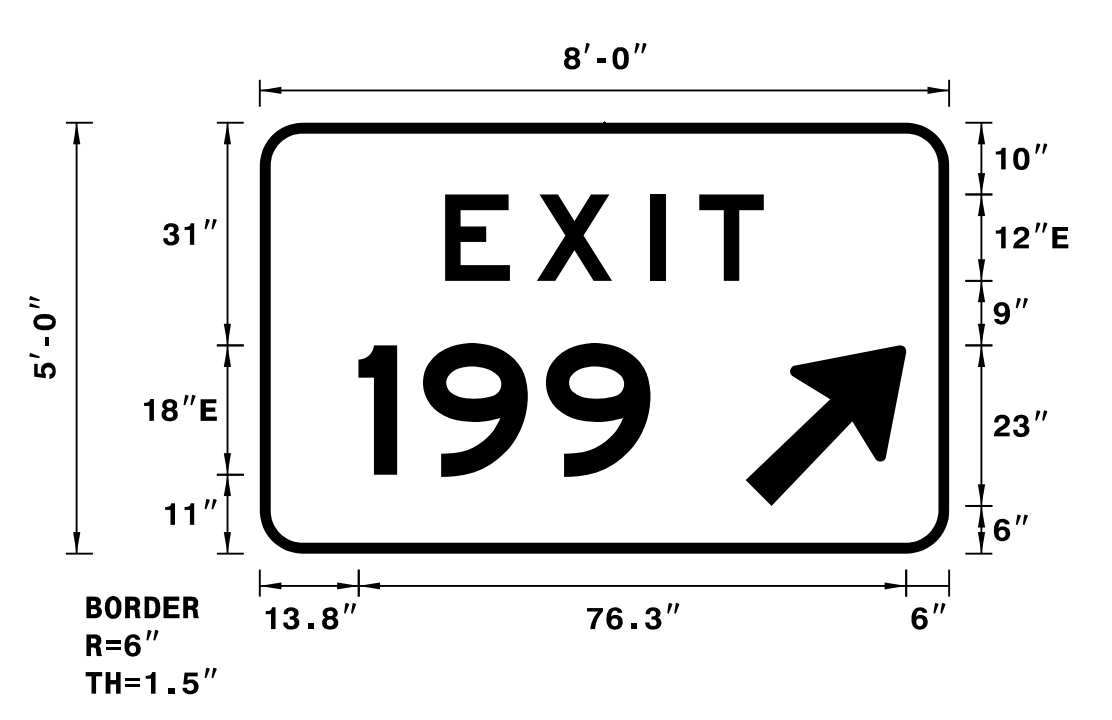
SIGN WIDTH: 8'-0"
 HEIGHT: 5'-0"
 TOTAL AREA: 40.0 Sq.Ft.

BORDER TYPE: FLUSH
 RECESS: 0"
 WIDTH: 1.5"
 RADII: 6"

MAT'L: 0.125" ALUMINUM

NO. Z BARS: 2
 LENGTH: 88.0

DESIGN BY: TRT CHECKED BY: ADK/CAJ
 PROJECT ID: R-2707F DIV: 12 DATE: June 2017



Spacing Factor is 1 unless specified otherwise
 Spacing Factor for "EXIT" is 2.25

NOTES:
 1. Legend and border shall be direct applied Grade C reflective sheeting.
 2. Arrow shall be Grade C reflective sheeting on 0.032" aluminum and demountable.
 3. Background shall be Grade C reflective sheeting.

LETTER POSITIONS

| Letter spacings are to start of next letter | | | | | | | | | | Series/Size |
|---|------|------|------|------|------|--|--|--|--|-------------|
| | | | | | | | | | | Text Length |
| | E | X | I | T | | | | | | E 2000 |
| 25.8 | 12.8 | 15.8 | 6.8 | 9 | 25.8 | | | | | 44.4 |
| | 1 | 9 | 9 | | | | | | | E 2000 |
| 13.8 | 9 | 17.1 | 14.6 | 41.6 | | | | | | 40.7 |

SIGN NUMBER: 301,302 BACKG COLOR: Green
 TYPE: D COPY COLOR: White
 QUANTITY: 2

| SYMBOL | X | Y | WID | HT |
|--------------|------|-----|------|-------|
| Type A Arrow | 67.7 | 6.6 | 18.3 | 29.25 |

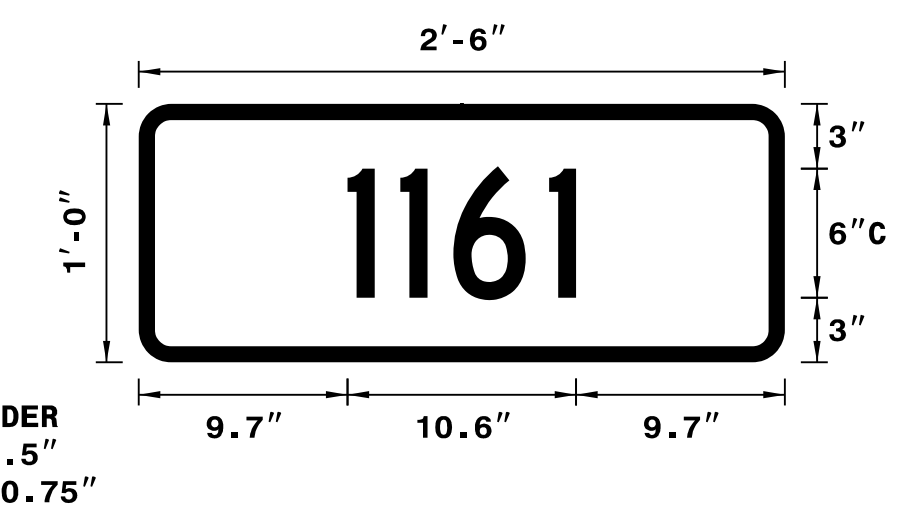
SIGN WIDTH: 2'-6"
 HEIGHT: 1'-0"
 TOTAL AREA: 2.5 Sq.Ft.

BORDER TYPE: FLUSH
 RECESS: 0"
 WIDTH: 0.75"
 RADII: 1.5"

MAT'L: 0.125" ALUMINUM

NO. Z BARS: N/A
 LENGTH: N/A

DESIGN BY: TRT CHECKED BY: ADK/CAJ
 PROJECT ID: R-2707F DIV: 12 DATE: June 2017



Spacing Factor is 1 unless specified otherwise

NOTES:
 1. Legend and border shall be direct applied Grade C reflective sheeting.
 2. Background shall be Grade C reflective sheeting.
 3. Erect sign on one U-Channel post.

LETTER POSITIONS

| Letter spacings are to start of next letter | | | | | | | | | | Series/Size |
|---|-----|-----|-----|-----|-----|--|--|--|--|-------------|
| | | | | | | | | | | Text Length |
| | 1 | 1 | 6 | 1 | | | | | | C 2000 |
| 9.7 | 2.5 | 2.5 | 4.4 | 1.3 | 9.7 | | | | | 10.6 |