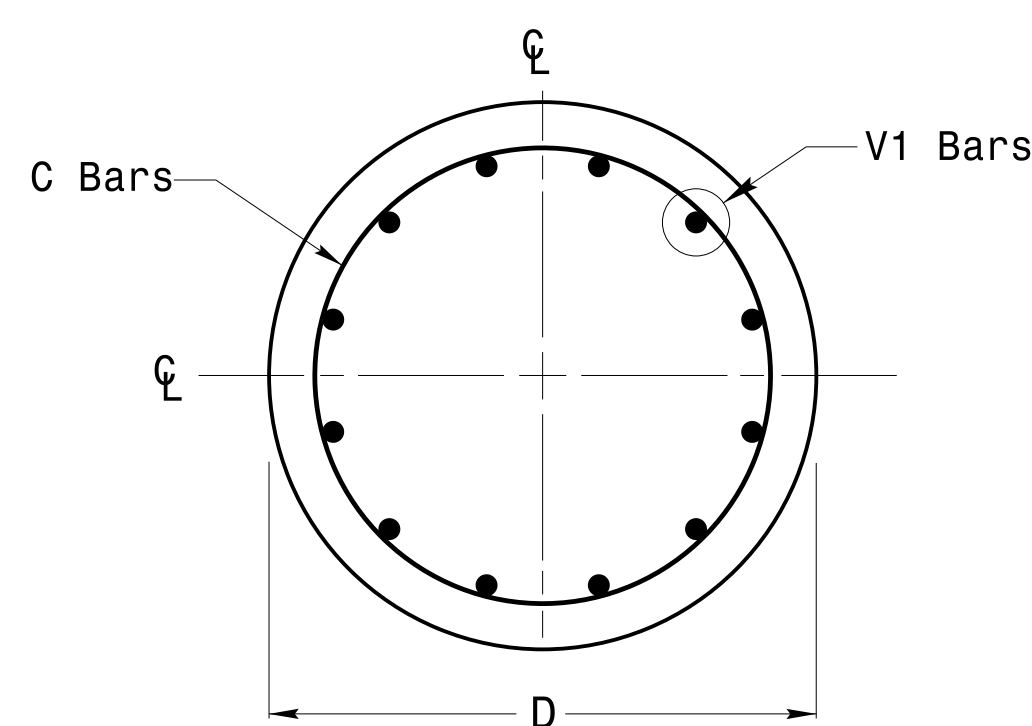
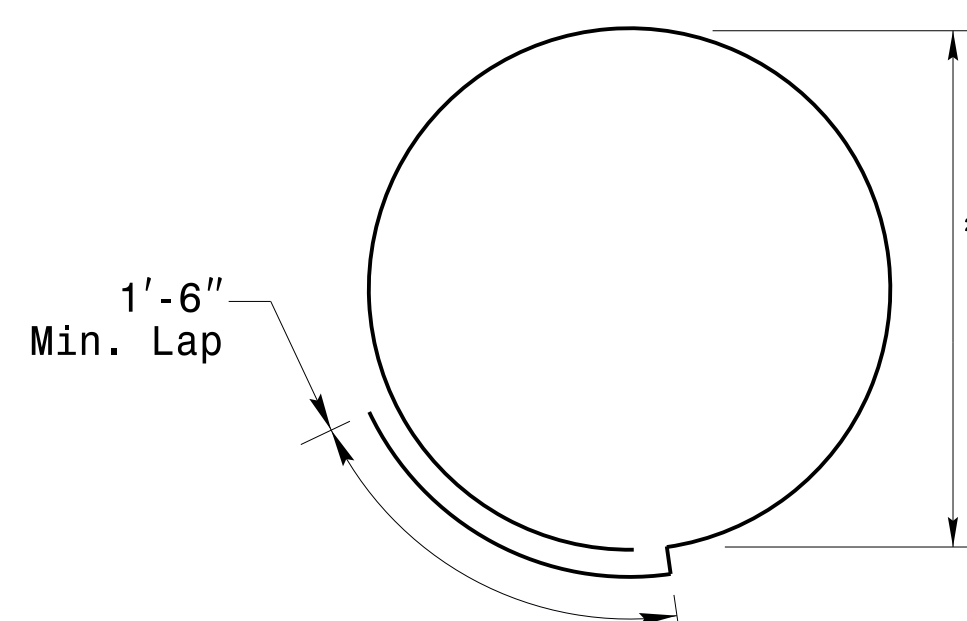


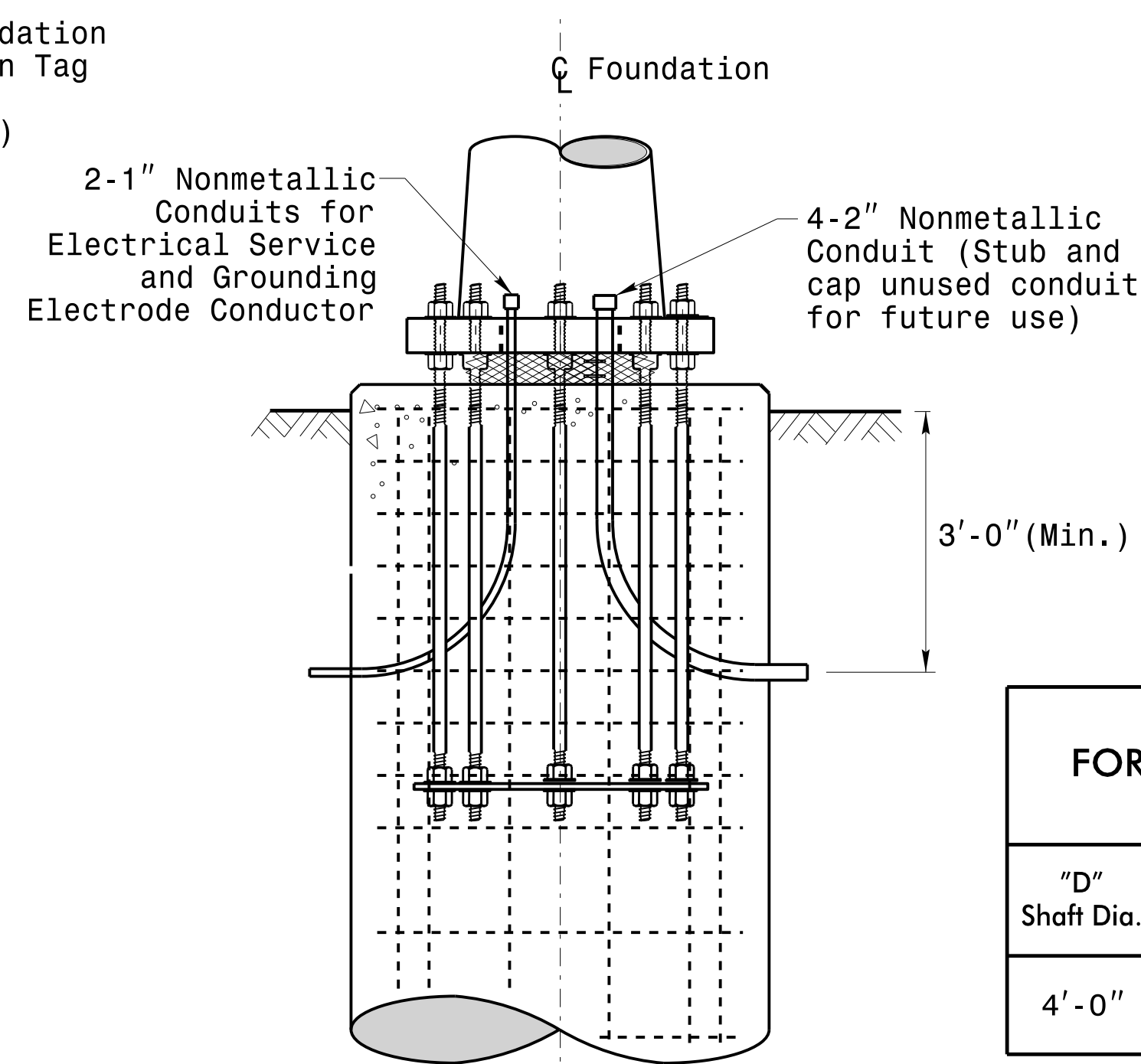
Concrete Shaft Elevation



Section A-A



Typical "C" Bar Detail



Typical Foundation Conduit Details

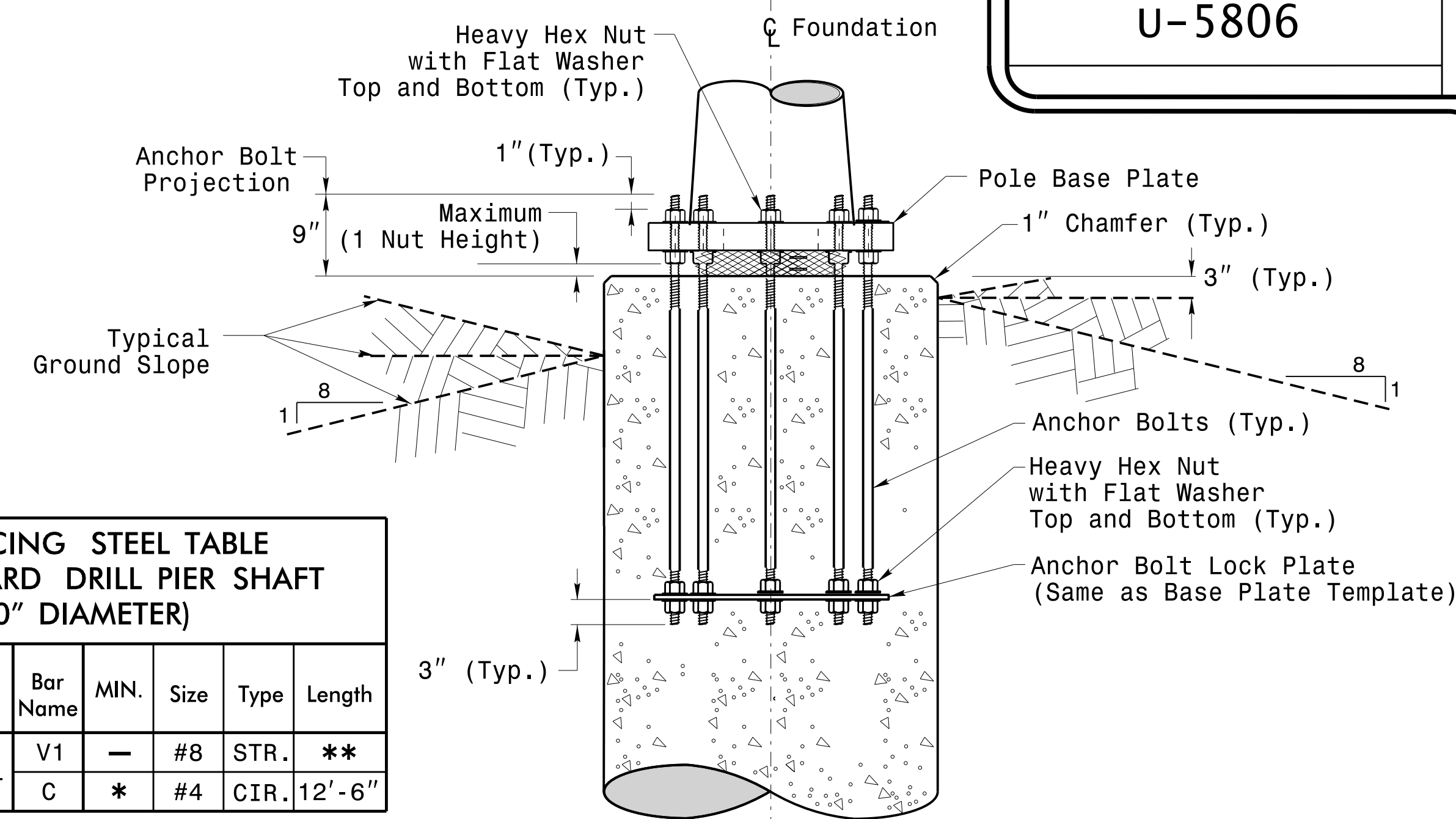
**REINFORCING STEEL TABLE FOR STANDARD DRILL PIER SHAFT (4'-0" DIAMETER)**

"D" Shaft Dia.	Conc. Volume (cu. yds.)	Bar Name	MIN.	Size	Type	Length
4'-0"	.465 x L	V1	-	#8	STR.	**
		C	*	#4	CIR.	12'-6"

\* See Note No. 2  
\*\* See Note No. 3

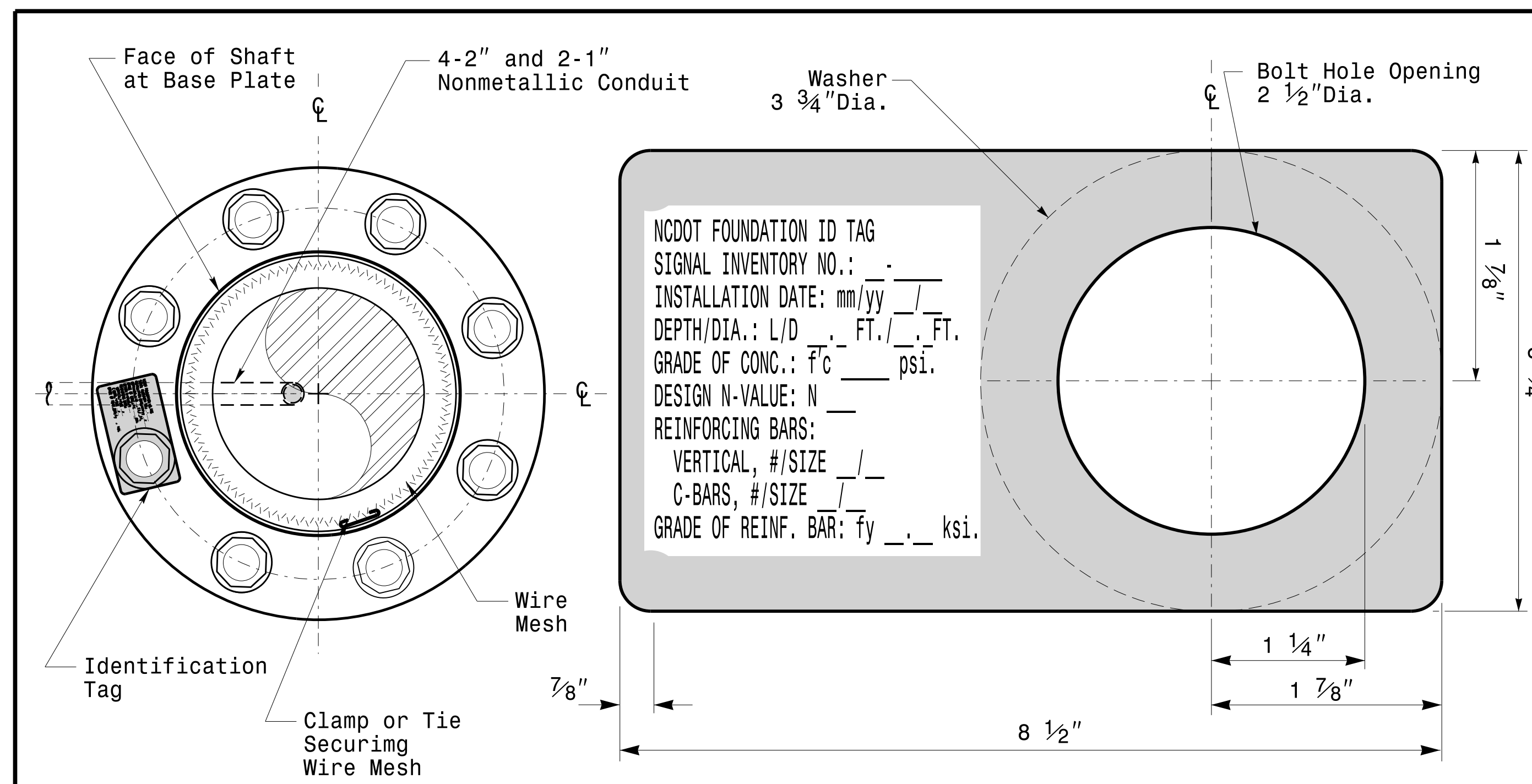
**General Notes:**

- If actual subsurface conditions differ significantly from boring data contact the Engineer before excavating or placing concrete.
- Circular tie reinforcing rings may be vertically adjusted by +/-3" at a depth between 2'-0" and 3'-0" to facilitate the installation of electrical conduit entering in the cage.
- For standard foundations, see sheet Sig. M8 for details. Vertical reinforcing bars (V1) may be horizontally adjusted by +/-3" to facilitate the installation of electrical conduit entering into the cage.
- Provide 2" to 5" foundation projection above ground level depending on the ground slope.
- Unless otherwise shown, foundation designs are based on non-sloping level ground surfaces with slope ratios of 8:1 (H:V) or flatter. If actual ground line slopes are steeper contact the Engineer before excavating or placing concrete.
- Construct foundations in accordance with NCDOT Standard Provisions SP09 R005- Foundations and Anchor Rod Assemblies for Metal Poles. All applicable 2012 NCDOT Standard Specifications are referenced in this provision. Refer to the NCDOT Resources/Specifications page located on the Connect NCDOT website.  
<https://connect.ncdot.gov/resources/Specifications and Special Provisions.aspx>
- Use air entrained AA concrete mix with a compression strength of f'c=4500 psi.(min.) after 28 days.
- Use ASTM A615 grade 60 deformed bars for all reinforcing steel. Maintain at least 3" cover on all reinforcement.
- Locate the Identification Tag on the top of the base plate, directly above the conduit's entry point.
- Provide two layers of galvanized welded 23 gauge (0.25) 6" wide 4 mesh wire around pipes under the base plate and secure it with ties if necessary.
- Preferred location for the I.D. Tag is as shown in Detail-A; directly above the conduit entering the foundation.



Typical Foundation Anchor Bolt Details


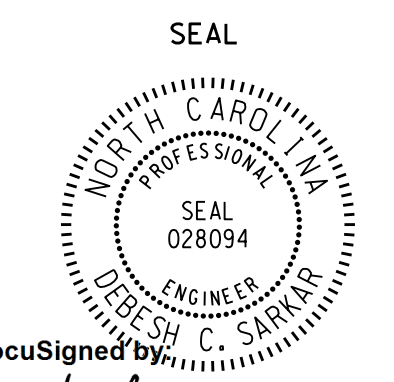
(Reinforcing Cage Not Shown for Clarity)



Concrete Foundation Identification Tag Details

D = Diameter  
L = Length/Depth  
mm = Month  
yy = Year

Detail-A

<p>Prepared in the Offices of:</p>  <p>750 N. Greenfield Pkwy, Garner, NC 27529</p>		<p><b>Construction Details For Foundations</b></p>		<p>SEAL</p> 	
<p>PLAN DATE: FEBRUARY 2016   DESIGNED BY: C.B. COGDILL</p>		<p>PREPARED BY: N. BITTING   REVIEWED BY: D.C. SARKAR</p>		<p>DocuSigned by: <i>Debesu C. Sarkar</i></p>	
REV. NO.	COMMENTS	INIT.	DATE		
1	Revised Foundation Top Details	N.B.	5/11/2015		
<p>SCALE: 0 NA</p>		<p>DATE: 2/17/2016</p>		<p>44E8E32E147E4C4</p>	

Construction Details - Foundations