

STATE OF NORTH CAROLINA DEPT. OF TRANSPORTATION DIVISION OF HIGHWAYS RALEIGH, N.C.

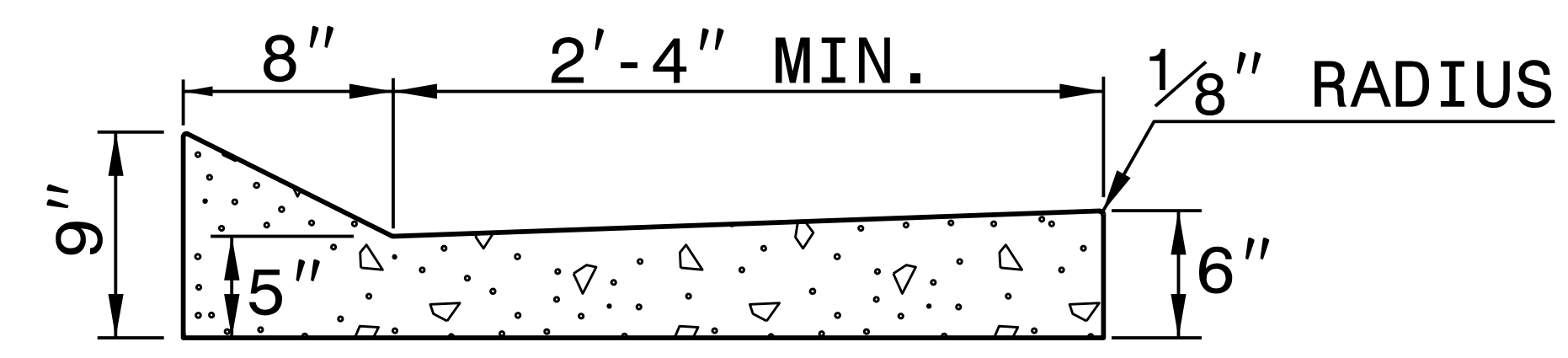
ENGLISH DETAIL DRAWING FOR MODIFIED SHOULDER BERM GUTTER

SHEET OF 846D01

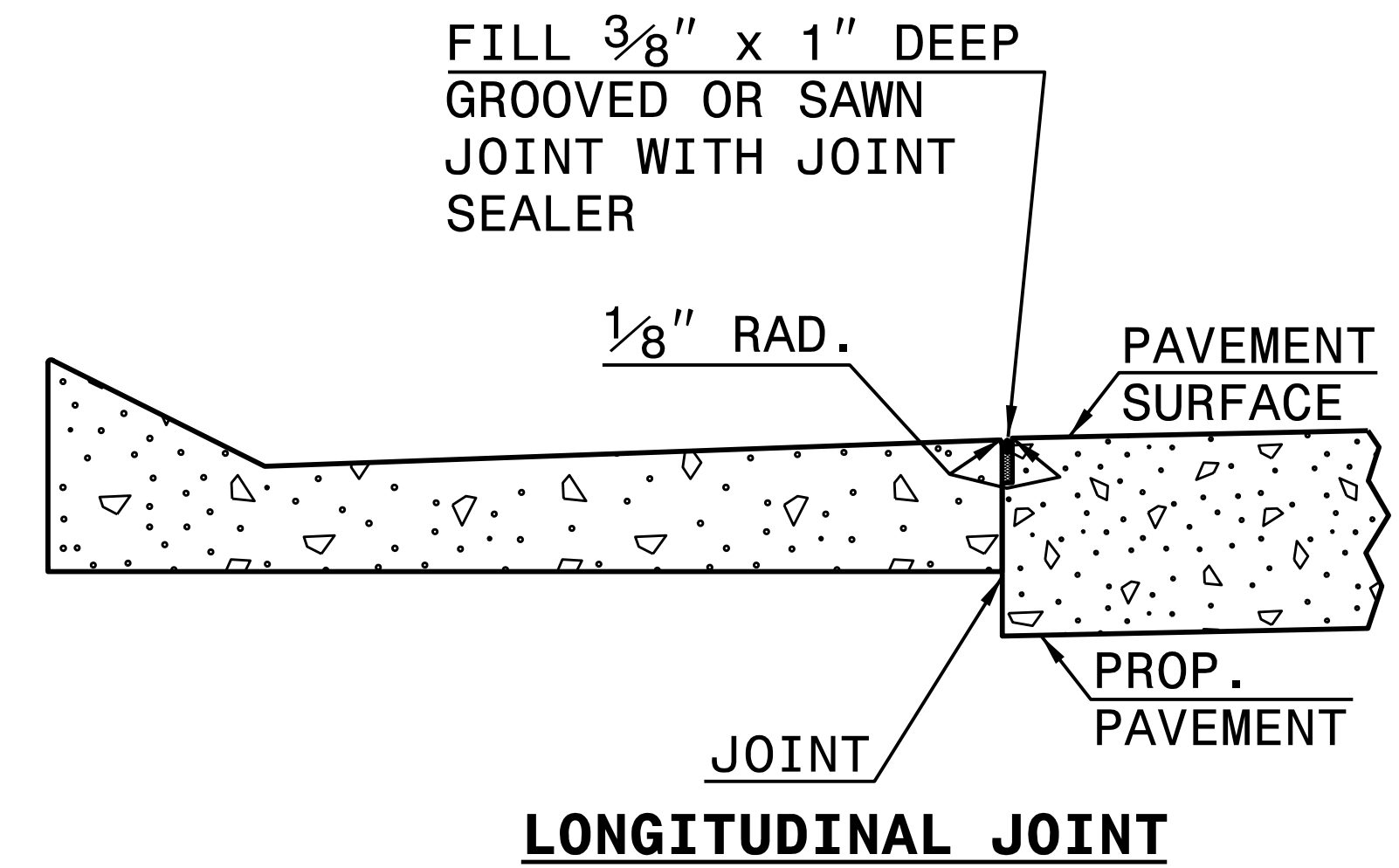
STATE OF NORTH CAROLINA DEPT. OF TRANSPORTATION DIVISION OF HIGHWAYS RALEIGH, N.C.

ENGLISH DETAIL DRAWING FOR MODIFIED SHOULDER BERM GUTTER

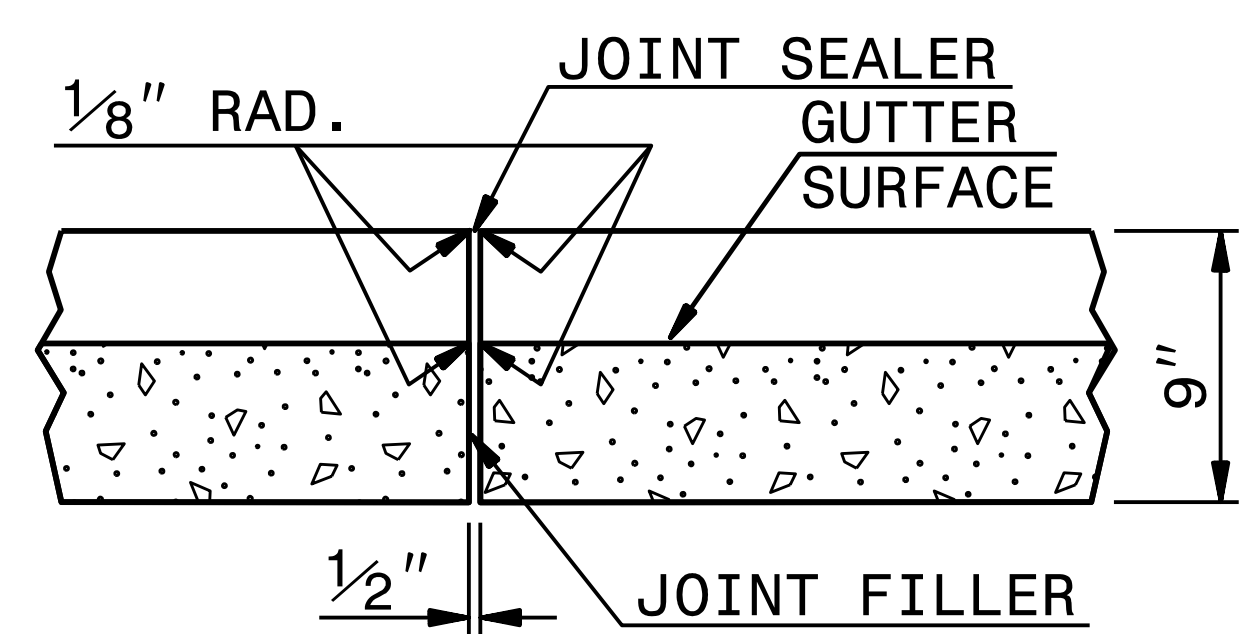
SHEET OF 846D01



MODIFIED SHOULDER BERM GUTTER



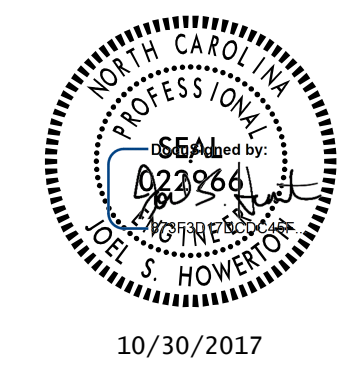
LONGITUDINAL JOINT



TRANSVERSE EXPANSION JOINT IN CURB AND GUTTER

SECTION VIEW OF JOINTS

- GENERAL NOTES:
- PLACE CONTRACTION JOINTS AT 10' INTERVALS, EXCEPT THAT A 15' SPACING MAY BE USED WHEN A MACHINE IS USED OR WHEN SATISFACTORY SUPPORT FOR THE FACE FORM CAN BE OBTAINED WITHOUT THE USE OF TEMPLATES AT 10' INTERVALS.
 - JOINT SPACING MAY BE ALTERED IF REQUIRED BY THE ENGINEER.
 - CONTRACTION JOINTS MAY BE INSTALLED WITH THE USE OF TEMPLATES OR FORMED BY OTHER APPROVED METHODS. CONSTRUCT NON-TEMPLATE FORMED JOINTS A MIN. OF 1 1/2" DEEP.
 - FILL ALL CONSTRUCTION JOINTS WITH JOINT FILLER AND SEALER.
 - SPACE EXPANSION JOINTS AT 90' INTERVALS AND ADJACENT TO ALL RIGID OBJECTS.



10/30/2017

CONTRACT STANDARDS AND DEVELOPMENT UNIT Office 919-707-6950 FAX 919-250-4119

SEE TITLE BLOCK

ORIGINAL BY: kkempf DATE: 11/13/08 MODIFIED BY: DATE: CHECKED BY: DATE: FILE SPEC.: special_details/kkempf/english/117x79_tbd1.dgn

DOCUMENT NOT CONSIDERED FINAL UNLESS ALL SIGNATURES COMPLETED

\$\$\$\$\$SYTIME\$\$\$\$\$\$\$\$\$\$SUN\$\$\$\$\$\$\$\$\$\$PUERINME\$\$\$\$\$