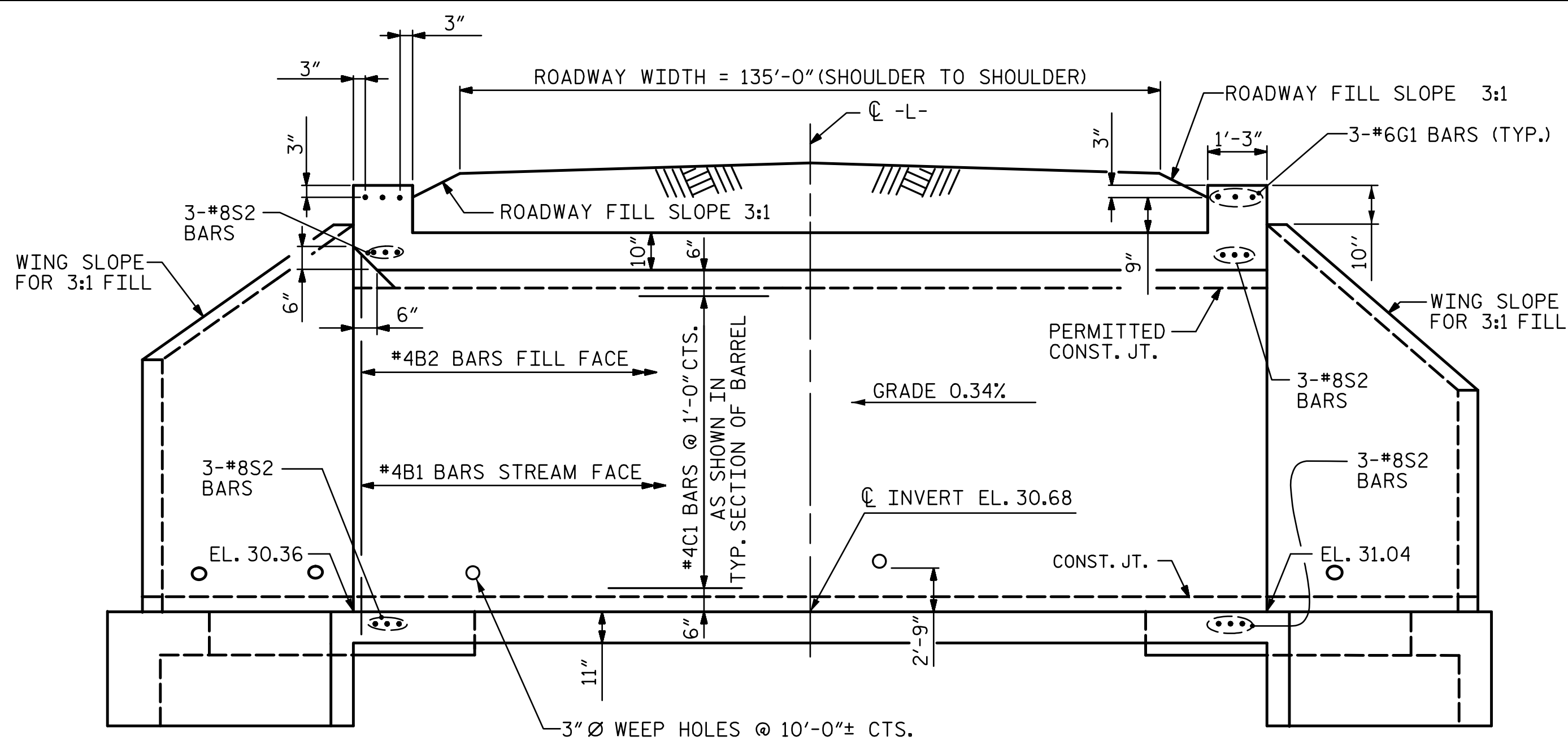
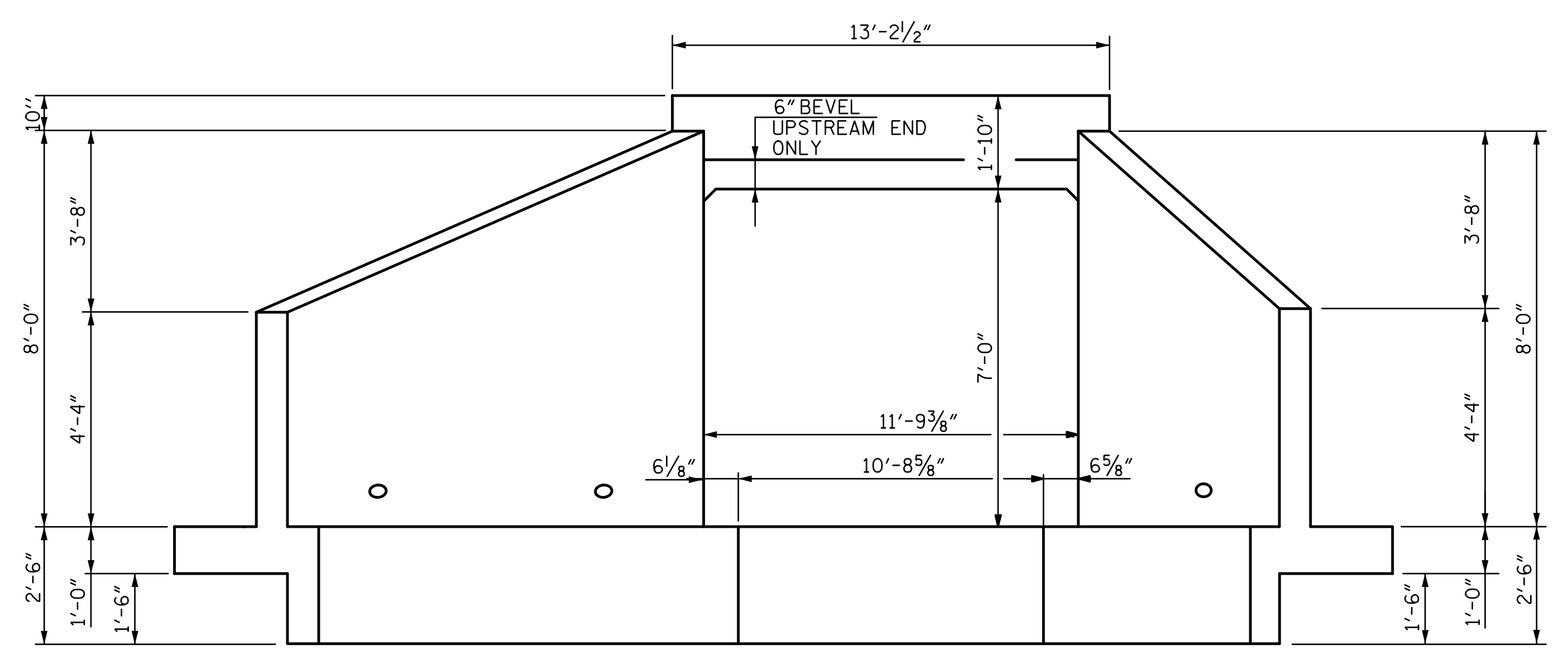


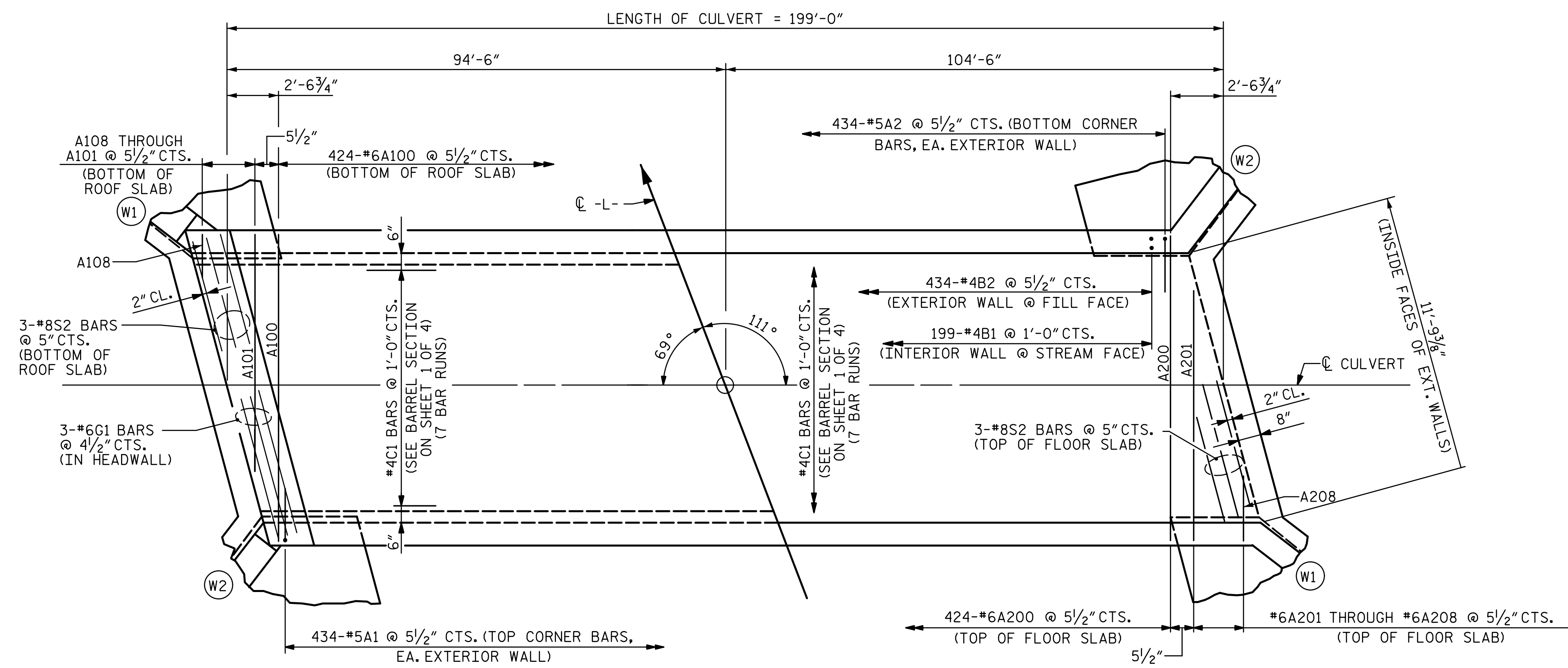
I:\Projects\4016617\4016617_000\50_Deliverables & Submittals\U-4751\Structures\Culverts\CU #2\410_005_U4751_SML_CU_003_640002.dgn
 3:16:58 PM
 7/11/2017
 bcurry



CULVERT SECTION NORMAL TO ROADWAY

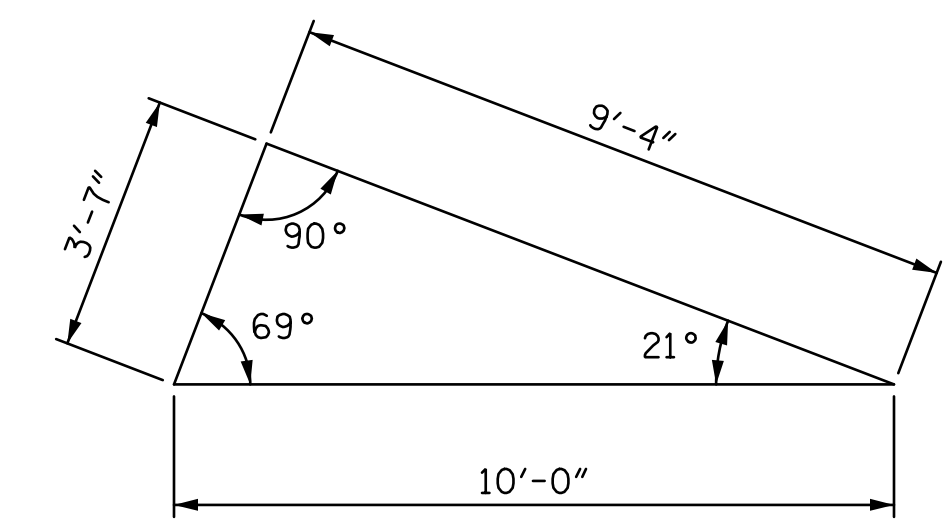


END ELEVATION NORMAL TO SKEW
(INLET END SHOWN, OUTLET END SIMILAR)



PART PLAN - ROOF SLAB

PART PLAN - FLOOR SLAB



SKEW TRIANGLE

BILL OF REINFORCING FOR BARREL					
BAR	NO.	SIZE	TYPE	LENGTH	WEIGHT
A1	868	#5	①	6'-7"	5,960
A2	868	#5	①	6'-7"	5,960
A100	424	#6	STR	12'-0"	7,642
A101	2	#6	STR	11'-0"	33
A102	2	#6	STR	9'-9"	29
A103	2	#6	STR	8'-7"	26
A104	2	#6	STR	7'-5"	22
A105	2	#6	STR	6'-2"	19
A106	2	#6	STR	5'-0"	15
A107	2	#6	STR	3'-10"	12
A108	2	#6	STR	2'-7"	8
A200	424	#6	STR	12'-0"	7,642
A201	2	#6	STR	11'-0"	33
A202	2	#6	STR	9'-9"	29
A203	2	#6	STR	8'-7"	26
A204	2	#6	STR	7'-5"	22
A205	2	#6	STR	6'-2"	19
A206	2	#6	STR	5'-0"	15
A207	2	#6	STR	3'-10"	12
A208	2	#6	STR	2'-7"	8
B1	398	#4	STR	8'-4"	2,216
B2	868	#4	STR	6'-4"	3,672
C1	294	#4	STR	29'-11"	5,875
G1	6	#6	STR	12'-10"	116
S2	12	#8	STR	12'-10"	411
TOTAL REINFORCING STEEL					39,822 LBS.

BAR TYPES
ALL BAR DIMENSIONS ARE OUT TO OUT.

SPLICE LENGTH CHART

BAR	SIZE	SPLICE LENGTH
B2	#4	1'-9"
C1	#4	1'-9"

PROJECT NO. U-4751
 NEW HANOVER COUNTY
 STATION: 138+59.00 -L-
 SHEET 3 OF 4

DOCUMENT NOT CONSIDERED FINAL
UNLESS ALL SIGNATURES COMPLETED

STV 100 years
 STV ENGINEERS, INC.
 900 West Trade St., Suite 715
 Charlotte, NC 28202
 NC License Number F-5991

STATE OF NORTH CAROLINA
 DEPARTMENT OF TRANSPORTATION
 RALEIGH

SINGLE 11'-0" X 7'-0" CONCRETE BOX CULVERT
 110°-00'-00" SKEW

REVISIONS						SHEET NO.
NO.	BY:	DATE:	NO.	BY:	DATE:	C2-3
1			3			TOTAL SHEETS
2			4			4

DRAWN BY: JWJ DATE: 5-17
 CHECKED BY: MLO DATE: 5-17
 DESIGN ENGINEER OF RECORD: J. JONES DATE: 5-17