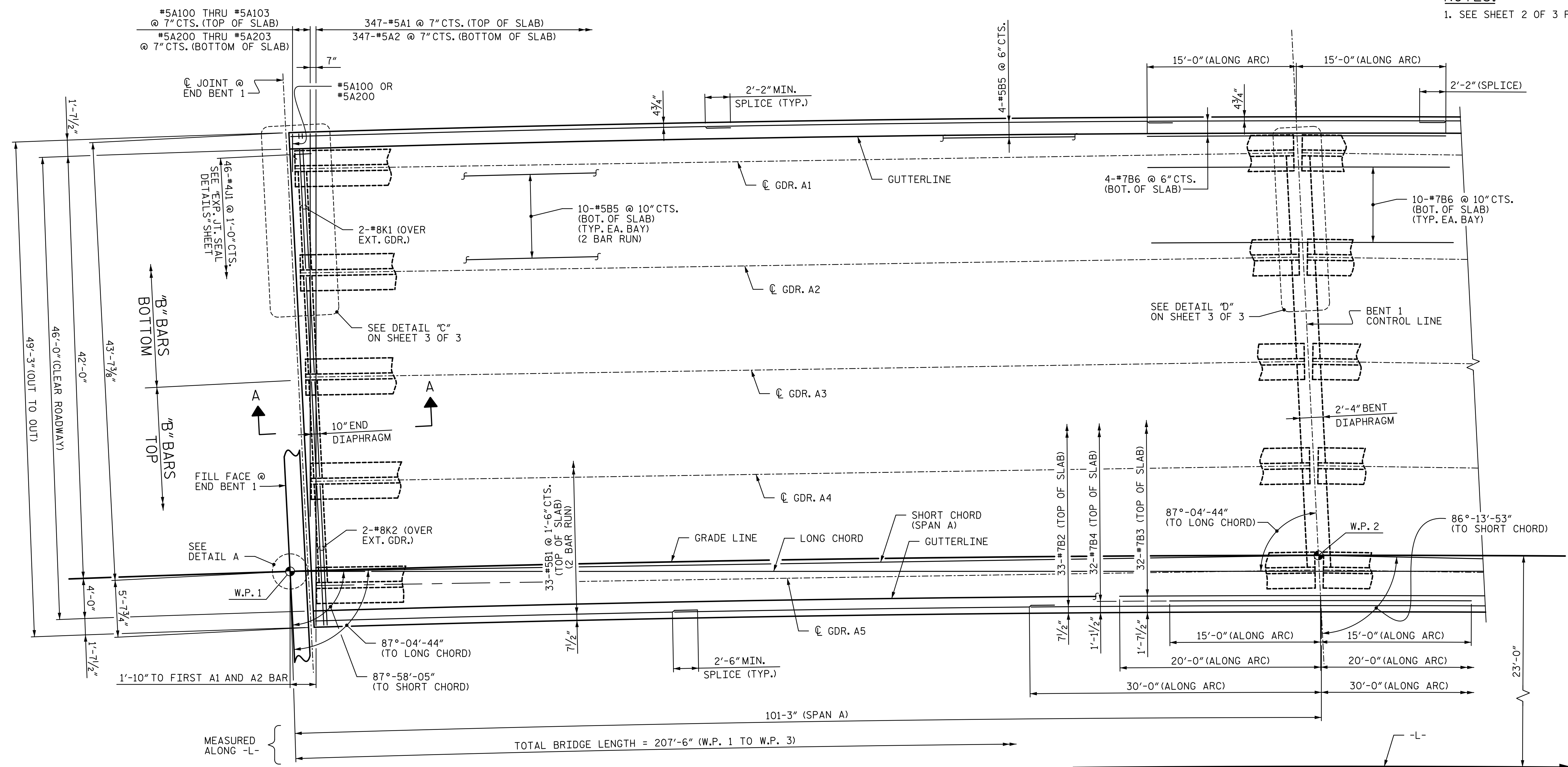


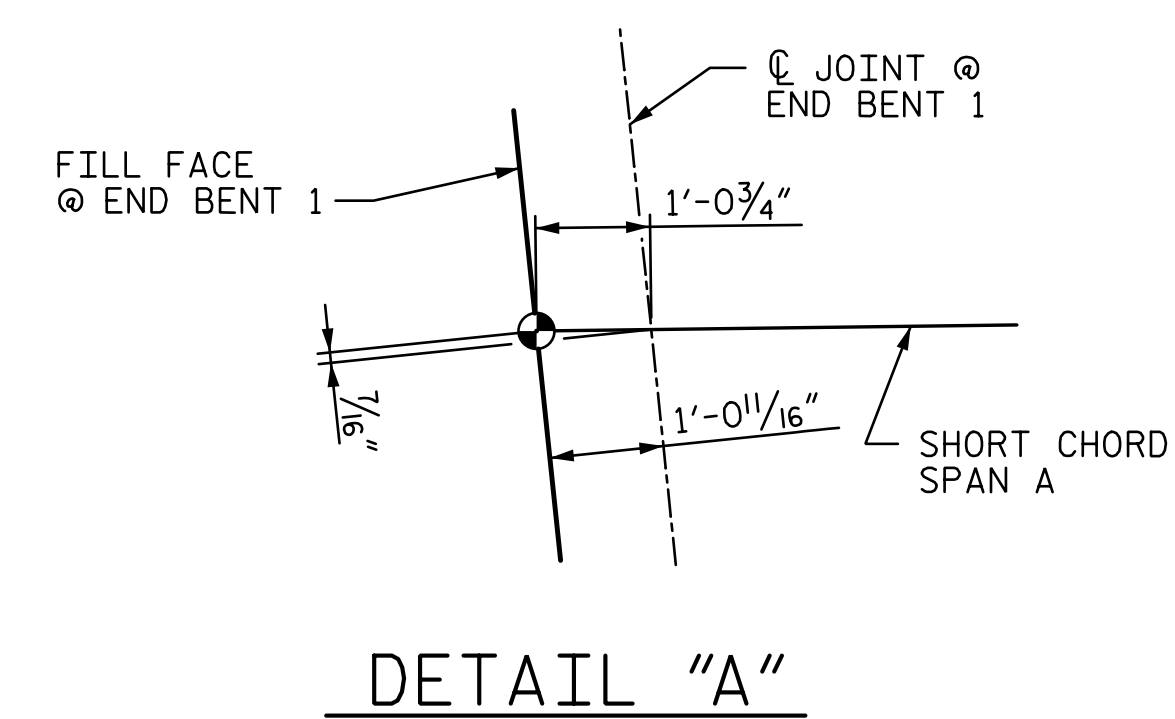
\\USPADG\dfs02\vol3\Projects\4086617\4086617_000\50_Deliverables & Submittals\U-4751\Structures\Bridges_203\Station\Final\403_015_U4751_SML_S1_008_640203.dgn
7/12/2017 2:13:09 PM ch1khhmb

NOTES:
1. SEE SHEET 2 OF 3 FOR NOTES.

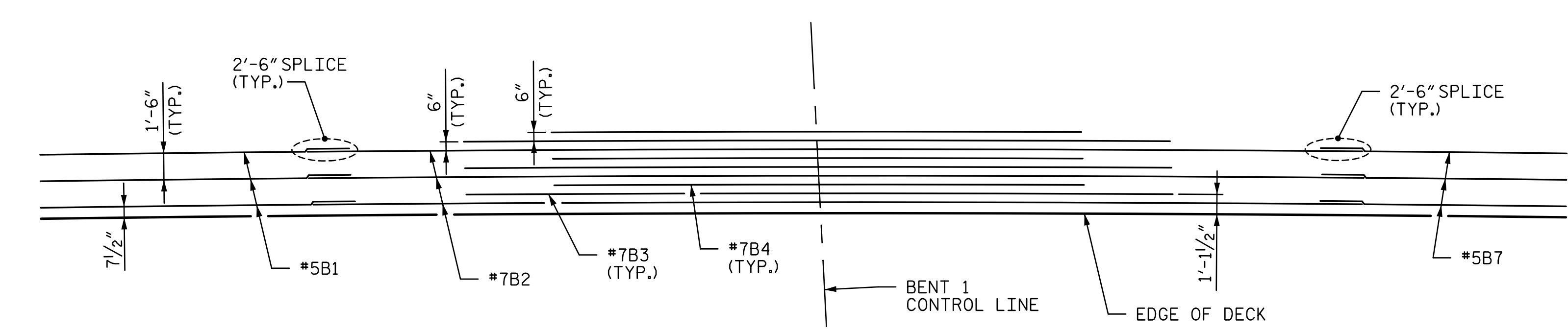


PLAN OF SPAN
("A" BARS ARE PLACED PERPENDICULAR TO LONG CHORD)

PROJECT NO. U-4751
NEW HANOVER COUNTY
STATION: 225+92.26 -L-
SHEET 1 OF 3

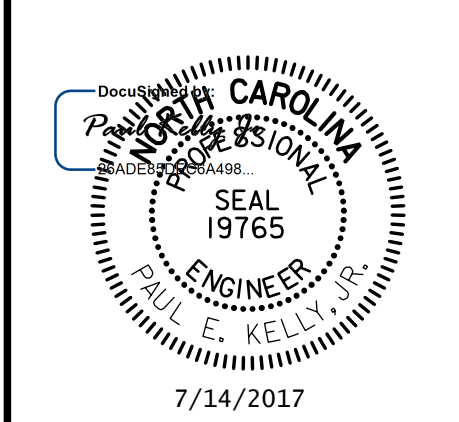


DETAIL "A"



REINFORCING STEEL LAYOUT
(TOP OF SLAB)

DOCUMENT NOT CONSIDERED FINAL
UNLESS ALL SIGNATURES COMPLETED



STATE OF NORTH CAROLINA
DEPARTMENT OF TRANSPORTATION
RALEIGH
SUPERSTRUCTURE
PLAN OF SPAN
SPAN A

DRAWN BY: <u>MBC</u>	DATE: <u>4-17</u>	DESIGN ENGINEER OF RECORD: <u>P. KELLY</u>	DATE: <u>5-17</u>
CHECKED BY: <u>PEK</u>	DATE: <u>5-17</u>		

REVISIONS				SHEET NO.
NO.	BY:	DATE:	NO.	DATE:
1			3	
2			4	

S3-8	TOTAL SHEETS
36	