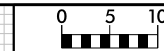
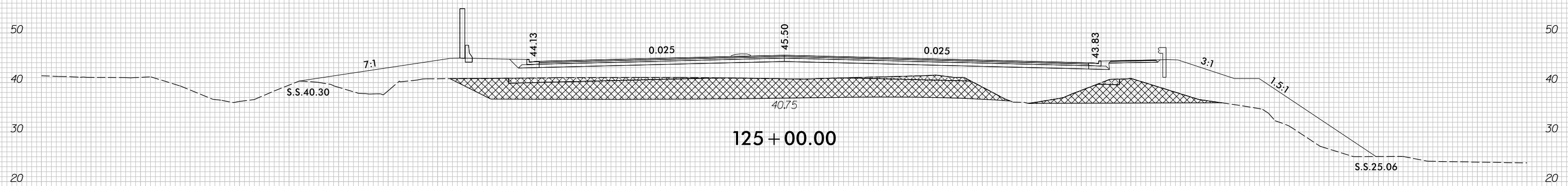
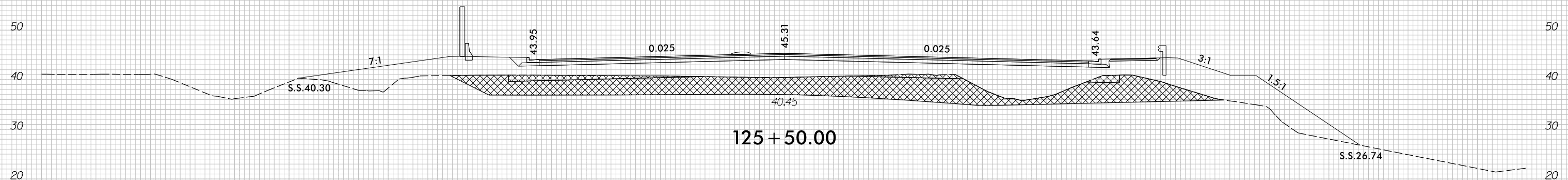
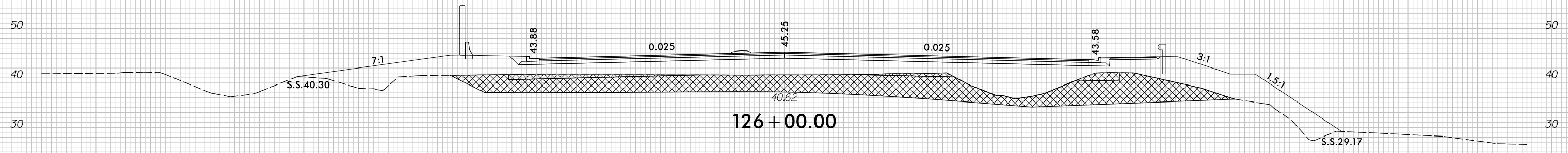


8/23/99

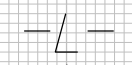


PROJ. REFERENCE NO.	SHEET NO.
U-4751	X-54

150 140 130 120 110 100 90 80 70 60 50 40 30 20 10 0 10 20 30 40 50 60 70 80 90 100 110 120 130 140 150



UNDERCUT EXCAVATION



150 140 130 120 110 100 90 80 70 60 50 40 30 20 10 0 10 20 30 40 50 60 70 80 90 100 110 120 130 140 150

7/5/2017  
r:\Roadway\XSC\U4751\_Rdy\_XPL\_L1.dgn  
cproves