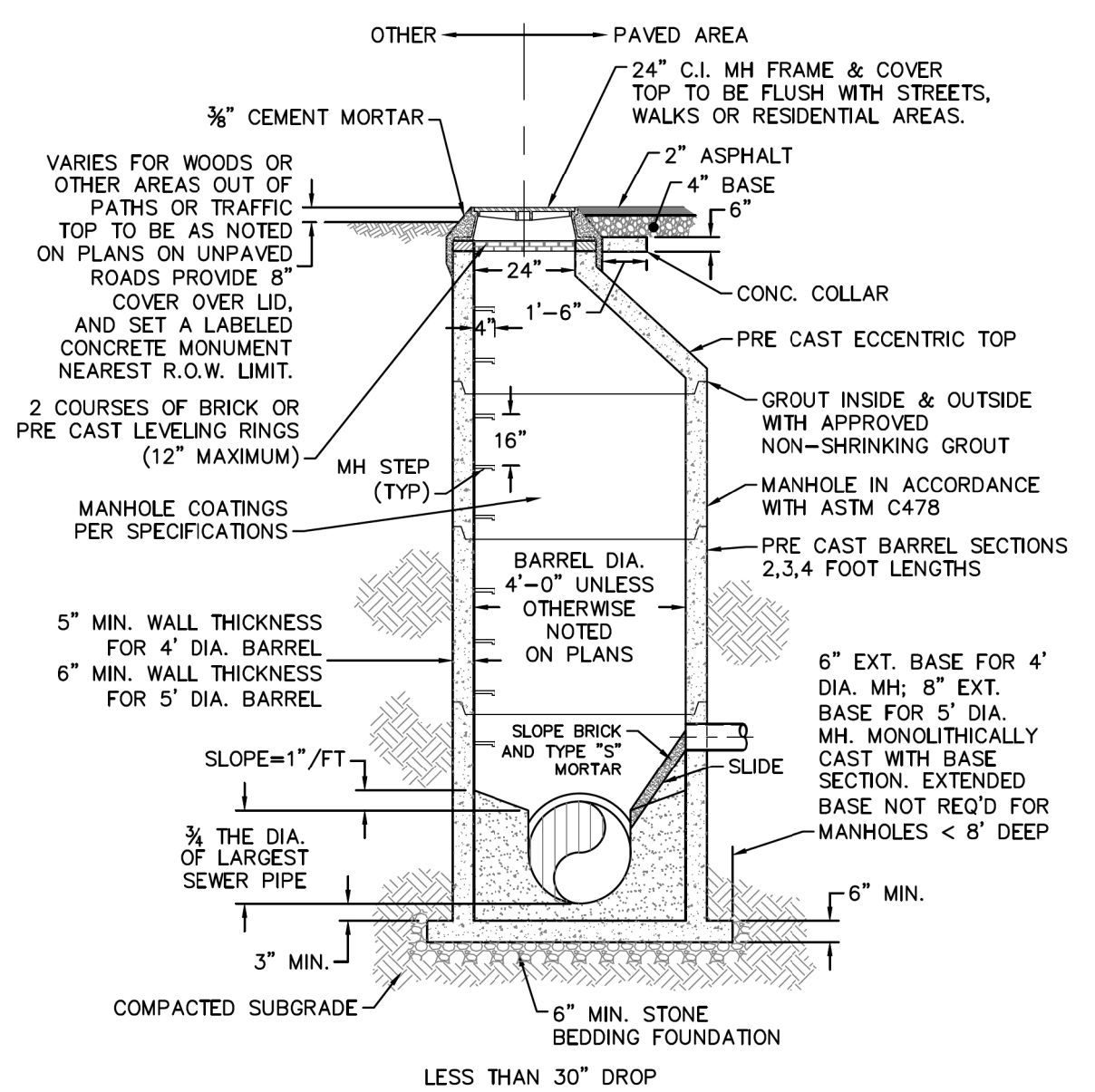
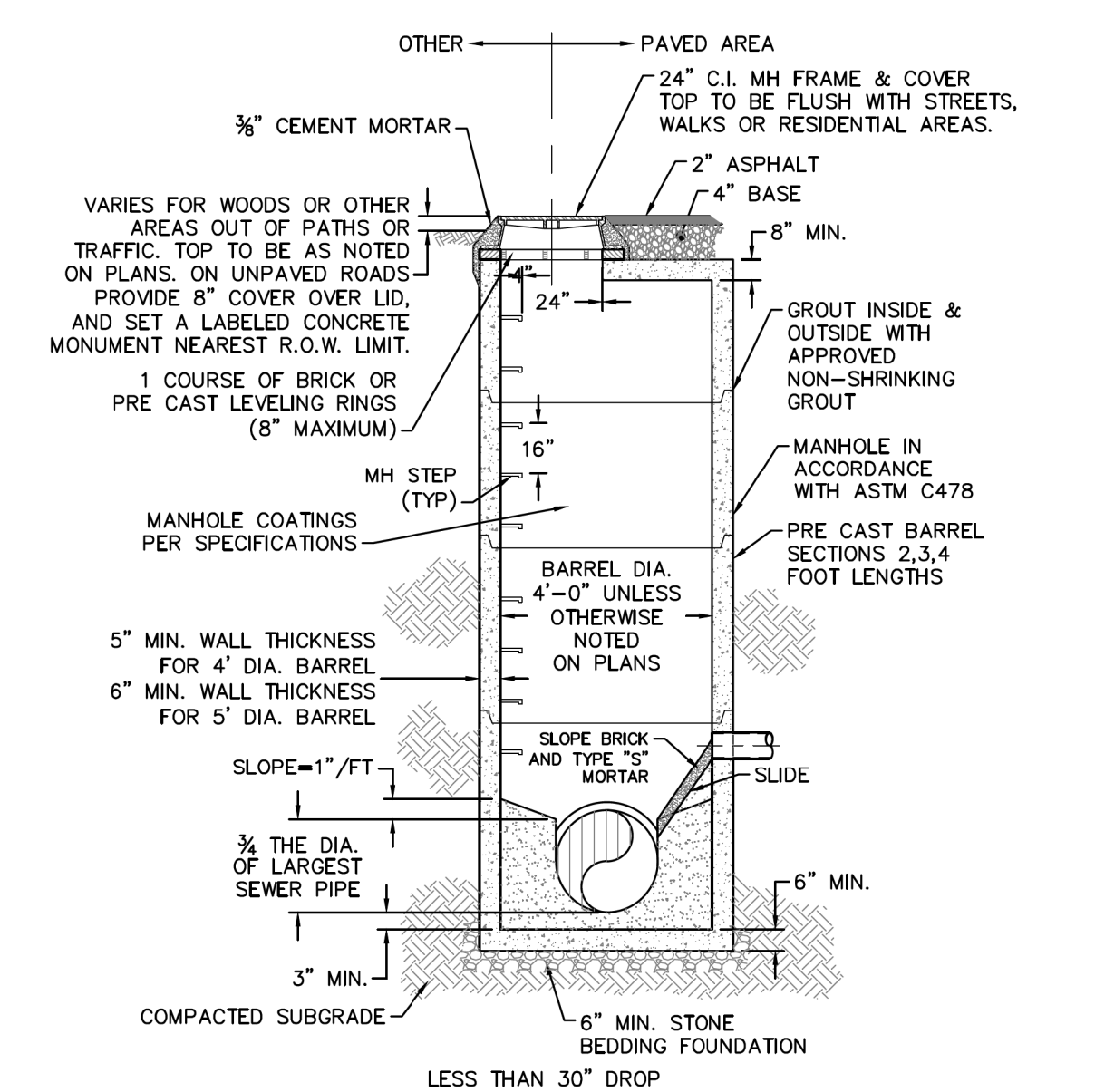


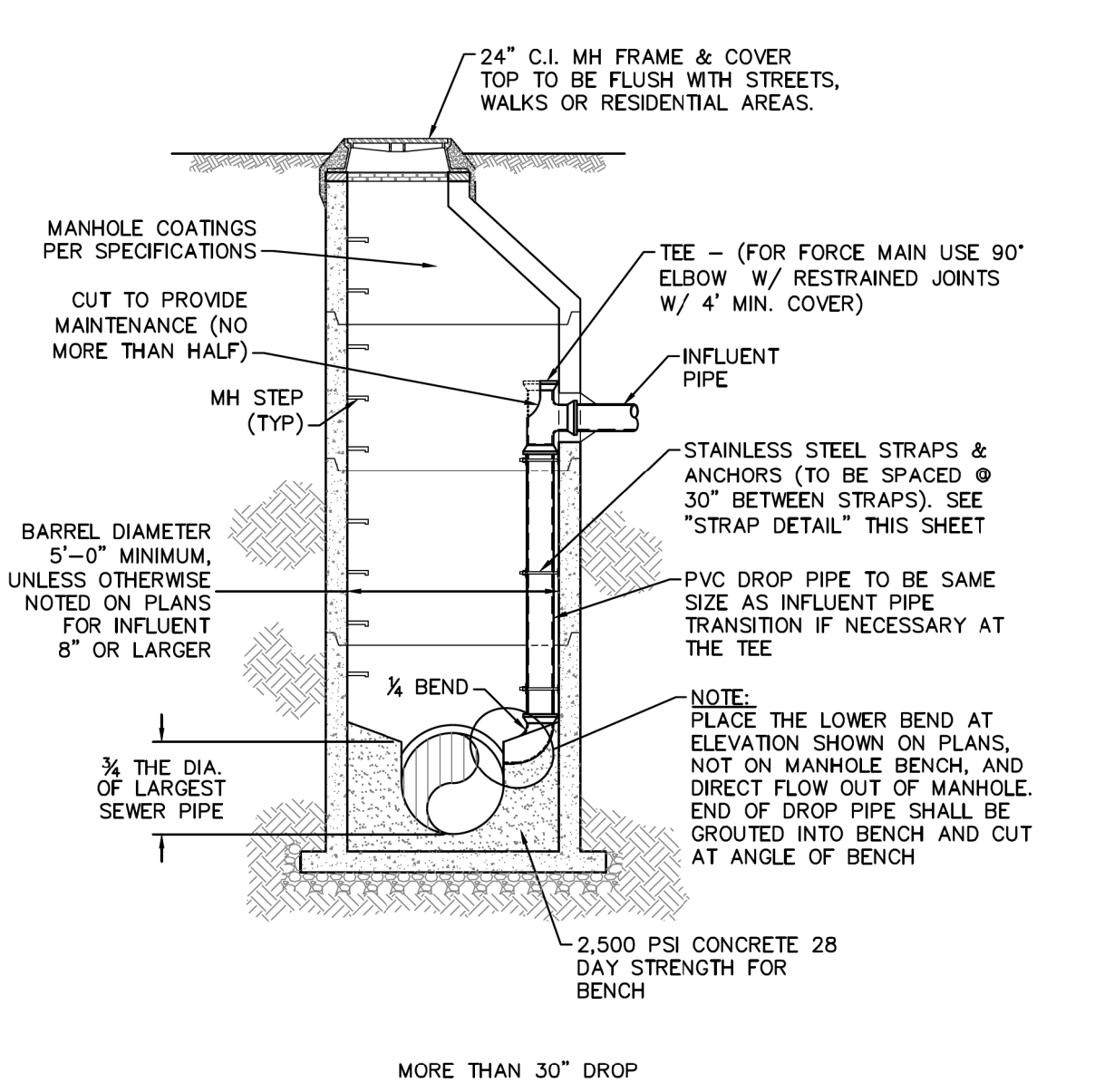
UTILITY CONSTRUCTION PLANS
DOCUMENT NOT CONSIDERED FINAL UNLESS ALL SIGNATURES COMPLETED



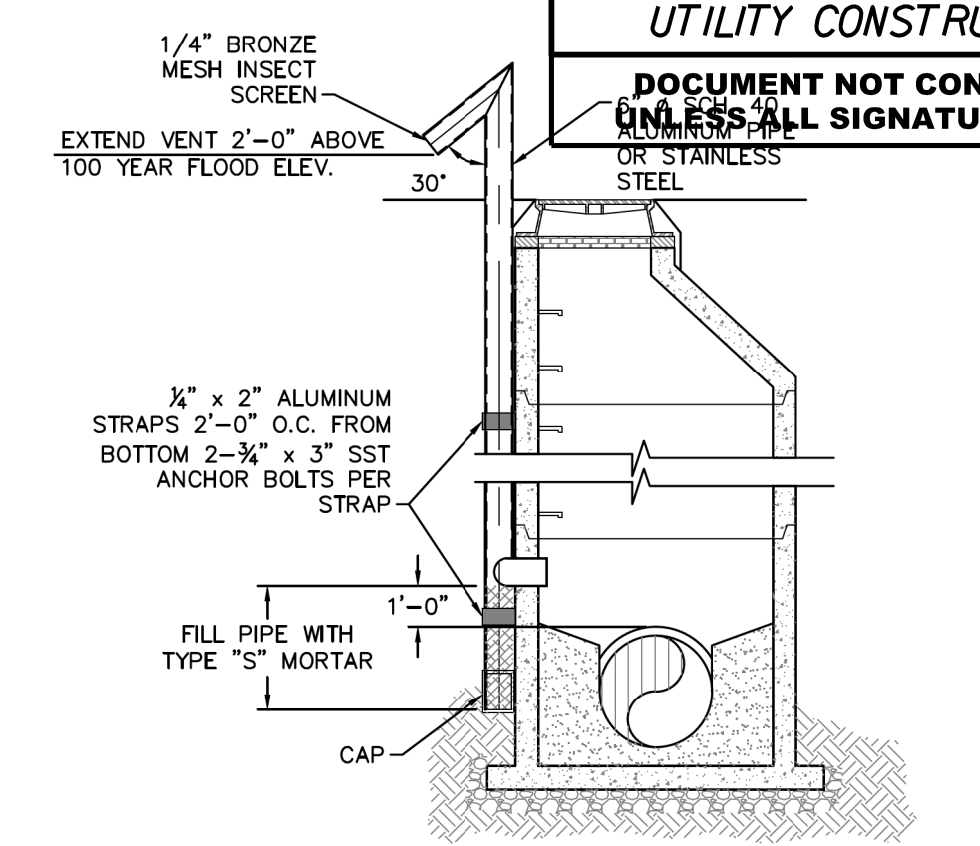
SD-1 PRECAST CONCRETE OFFSET MANHOLE TYPICAL
NOT TO SCALE



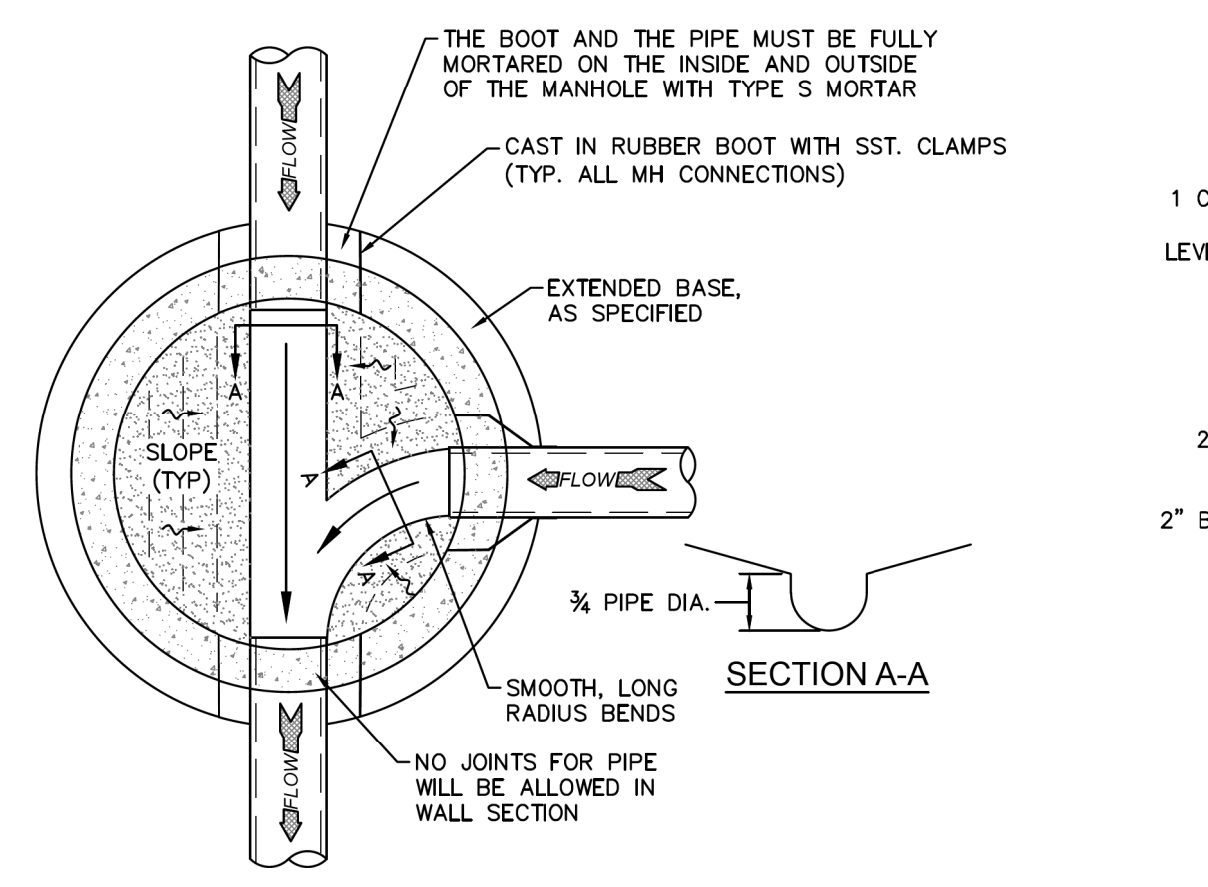
SD-2 PRECAST CONCRETE FLAT TOP MANHOLE TYPICAL
NOT TO SCALE



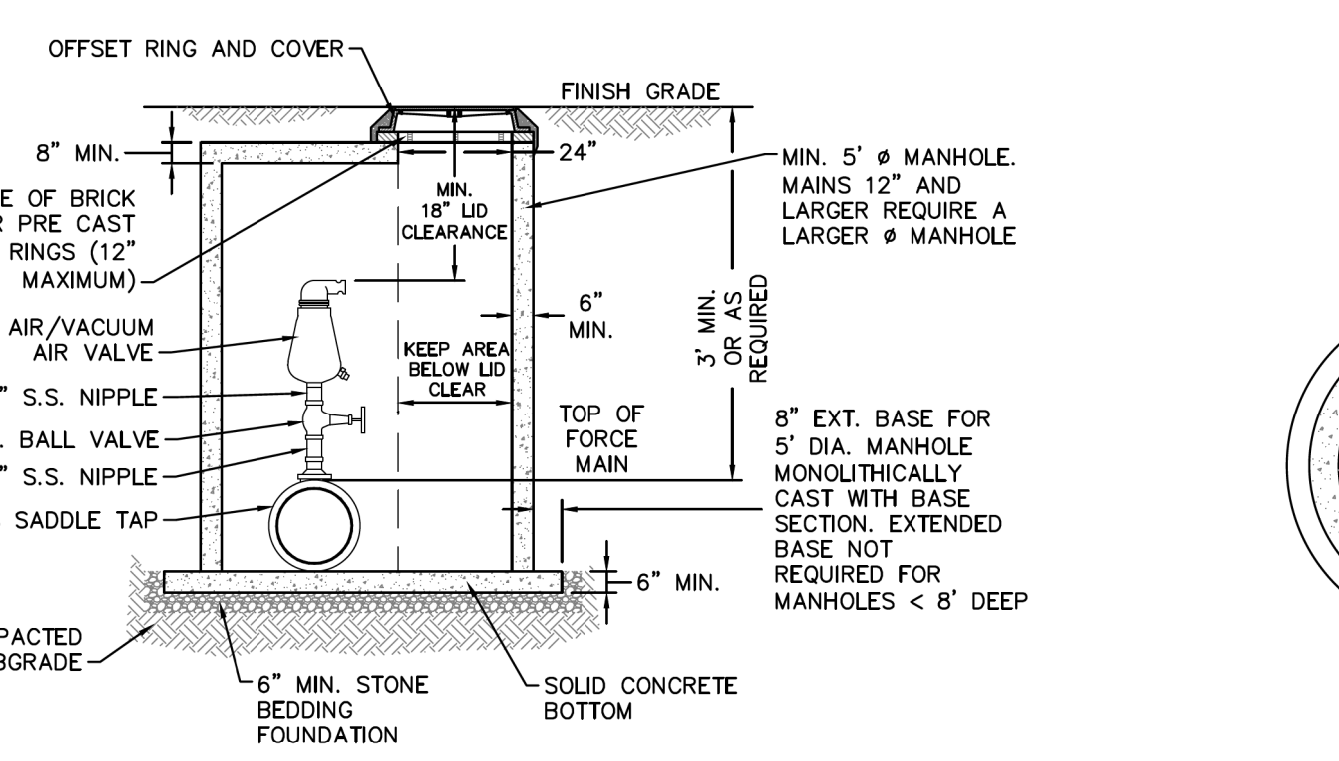
SD-3 DROP MANHOLE
NOT TO SCALE



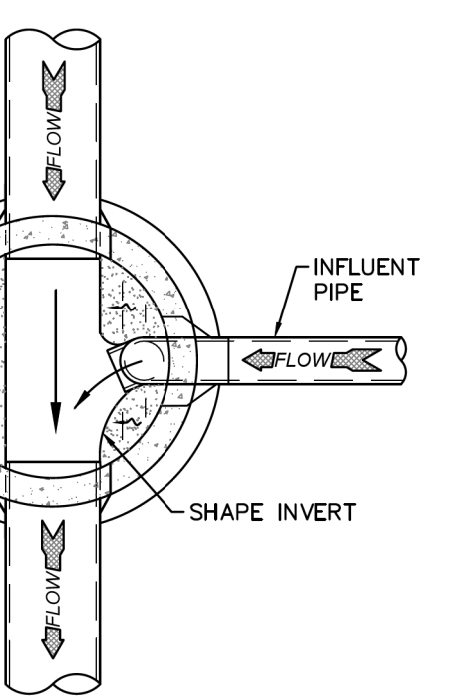
SD-4 STANDARD VENT MANHOLE
NOT TO SCALE



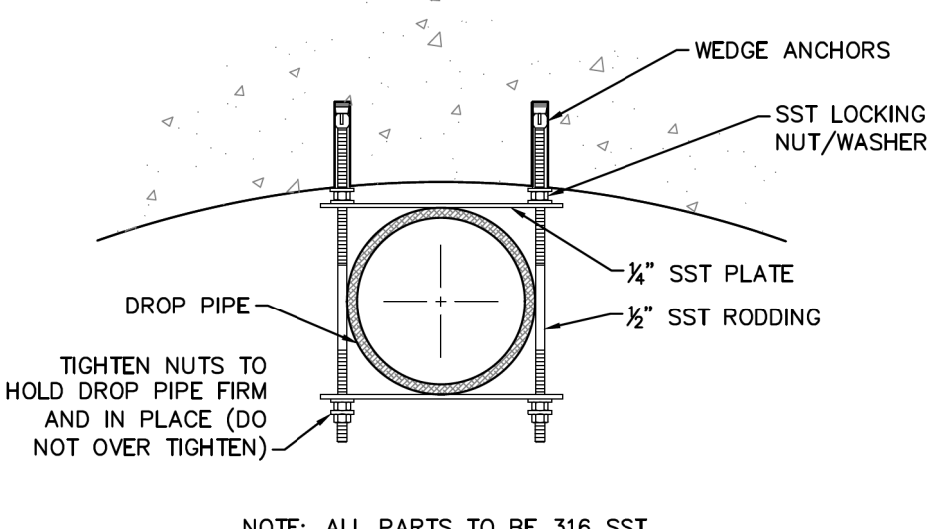
SD-5 MANHOLE FLOOR PLAN
NOT TO SCALE



SD-6 AIR/VACUUM AND AIR RELEASE COMBINATION VALVE
NOT TO SCALE



SD-7 DROP MANHOLE FLOOR PLAN
NOT TO SCALE



SD-8 STRAP DETAIL
NOT TO SCALE

- CAPE FEAR PUBLIC UTILITY AUTHORITY STANDARD NOTES:**
- SEWER GUARDS REQUIRED AT ALL MANHOLES. STAINLESS STEEL SEWER GUARDS REQUIRED AT MANHOLES LOCATED IN TRAFFIC AREAS.
 - WATER AND SEWER SERVICES SHALL BE PERPENDICULAR TO MAIN AND TERMINATE AT RIGHT-OF-WAY LINE. SEWER SERVICES IN CUL-DE-SACS ARE REQUIRED TO BE PERPENDICULAR, OR MUST ORIGINATE IN END OF LINE MANHOLE AND TERMINATE AT RIGHT-OF-WAY LINE.
 - ALL SERVICES TYING INTO DUCTILE IRON MAINS SHALL BE CONSTRUCTED OF CLASS 50, DIP, WITH PROTECTO 401 CERAMIC EPOXY LINING.
 - MINIMUM 10' UTILITIES EASEMENT PROVIDED ALONG THE FRONTAGE OF ALL LOTS AND AS SHOWN FOR NEW DEVELOPMENTS.
 - NO FLEXIBLE COUPLINGS SHALL BE USED.
 - ALL STAINLESS STEEL FASTENERS SHALL BE 316.
 - CLEANOUTS SHALL BE LOCATED A MINIMUM OF 12 FEET FROM ALL PROPERTY CORNERS. WATER METER BOXES ARE TO BE A MINIMUM OF 5 FEET FROM THE PROPERTY CORNER.

SD-9 STANDARD NOTES
(REQUIRED ON ALL PLAN AND PROFILE SHEETS)

- GENERAL NOTES:**
- NO EXCAVATED MATERIAL SHALL BE PLACED IN ANY STREAM, DITCH OR DRAINAGE-WAY.
 - THE CONTRACTOR IS RESPONSIBLE FOR LOCATING ALL UNDERGROUND UTILITIES BEFORE ANY CONSTRUCTION BEGINS.
 - THE CONTRACTOR IS RESPONSIBLE FOR TEMPORARY SEDIMENT AND EROSION CONTROL MEASURES WHILE CONSTRUCTION IS IN PROGRESS.
 - THE CONTRACTOR IS RESPONSIBLE FOR STABILIZATION OF ALL DISTURBED AREAS.
 - THE CONTRACTOR IS RESPONSIBLE FOR LAY DOWN AND STOCKPILE AREAS (TO ARRANGE AND ENSURE COMPLIANCE WITH ALL LOCAL AND STATE REGULATIONS).

THE DETAILS SHOWN HEREON SUPERCEDE CFPUA WRITTEN TECHNICAL SPECIFICATIONS VERSIONS 1.00 - 1.04

CFPUA SANITARY SEWER

STANDARD DETAILS

CAPE FEAR PUBLIC UTILITY AUTHORITY
 235 GOVERNMENT CENTER DRIVE
 WILMINGTON, NC 28403
 OFFICE: (910)332-6560

PLANS PREPARED BY :
RK&K
 RUMMEL, KLEPPER & KAHL, LLP
 900 RIDGEFIELD DRIVE SUITE 350
 RALEIGH, NORTH CAROLINA 27609-3960
 NC LICENSE NO. F-0112 (919) 878-9560