

**GENERAL NOTES:**

USE CLASS "AA" CONCRETE THROUGHOUT.

PROVIDE ALL JUNCTION BOXES OVER 3'-6" IN DEPTH WITH STEPS 12" ON CENTER. USE STEPS WHICH COMPLY WITH STD. DRAWING 840.66.

OPTIONAL CONSTRUCTION - MONOLITHIC POUR, 2" KEYWAY, OR #4 BAR DOWELS AT 12" CENTERS AS DIRECTED BY THE ENGINEER.

USE FORMS FOR THE CONSTRUCTION OF THE BOTTOM SLAB.

MANHOLE IS OPTIONAL, SEE ROADWAY PLANS.

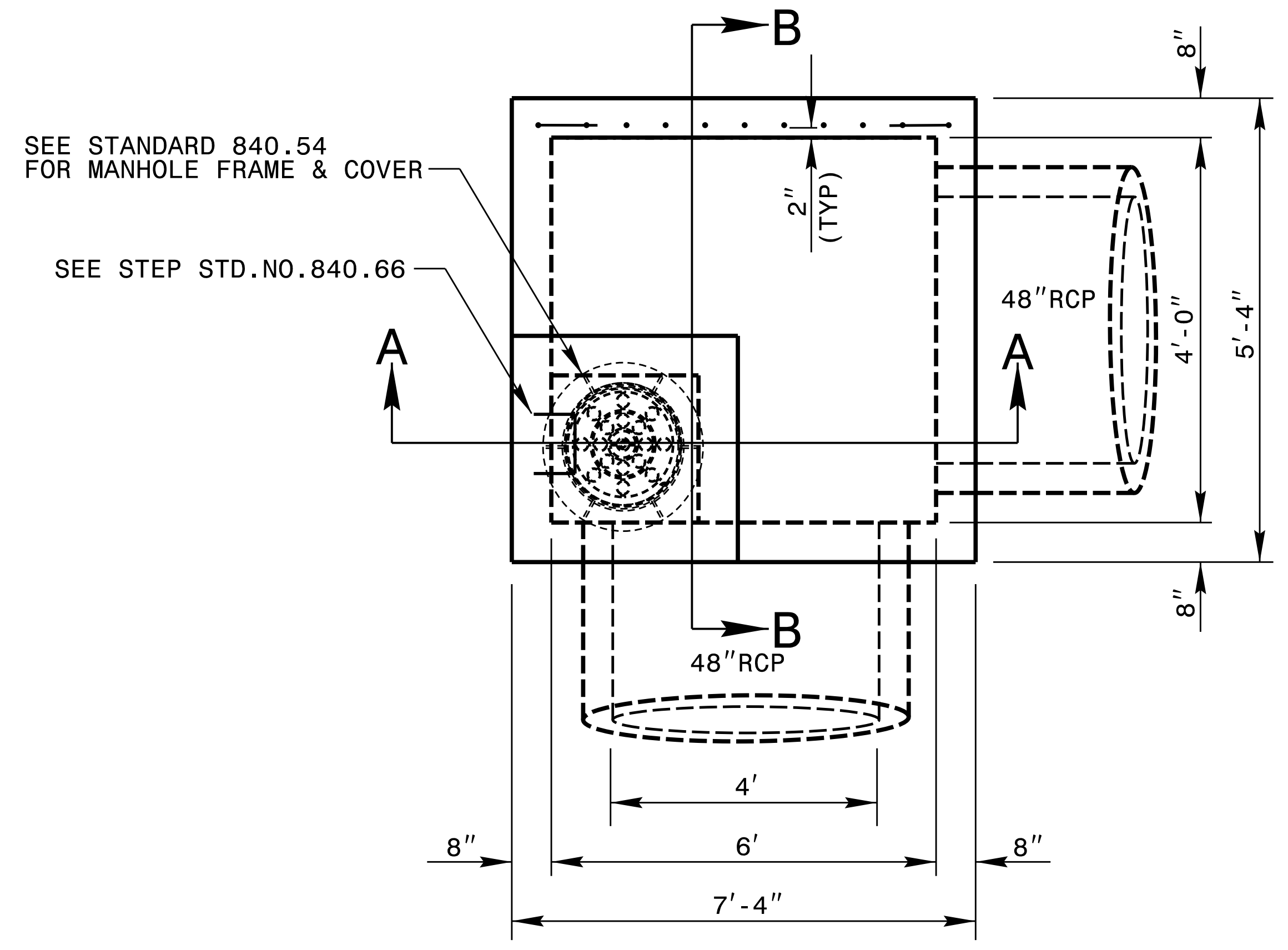
INSTALL MANHOLE IN POSITION AS DIRECTED BY THE ENGINEER. CUT AND BEND ALL REBAR CROSSING THIS OPENING TO ALLOW 2" MINIMUM CONCRETE COVERAGE.

CHAMFER ALL EXPOSED CORNERS 1".

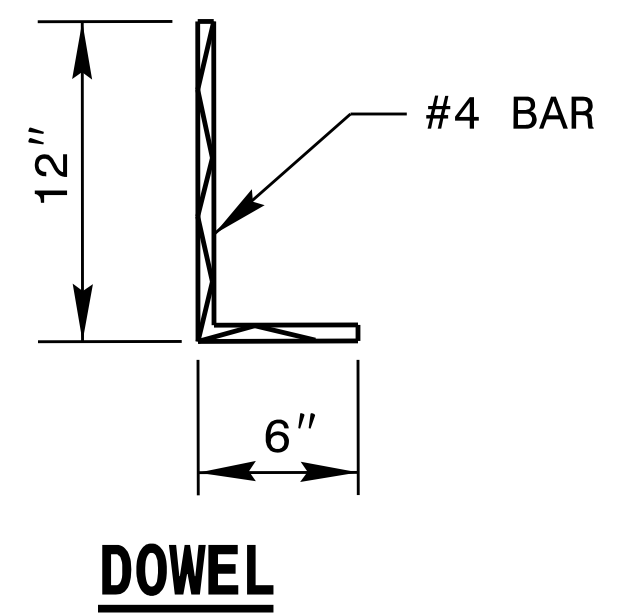
2" MINIMUM CONCRETE COVERAGE ON ALL REBAR.

IF REINFORCED CONCRETE PIPE IS SET IN BASE SLAB OR BOX, ADD TO BASE AS SHOWN IN STD. NO. 840.00.

MAKE ALL ADJUSTMENTS AS DIRECTED BY THE ENGINEER



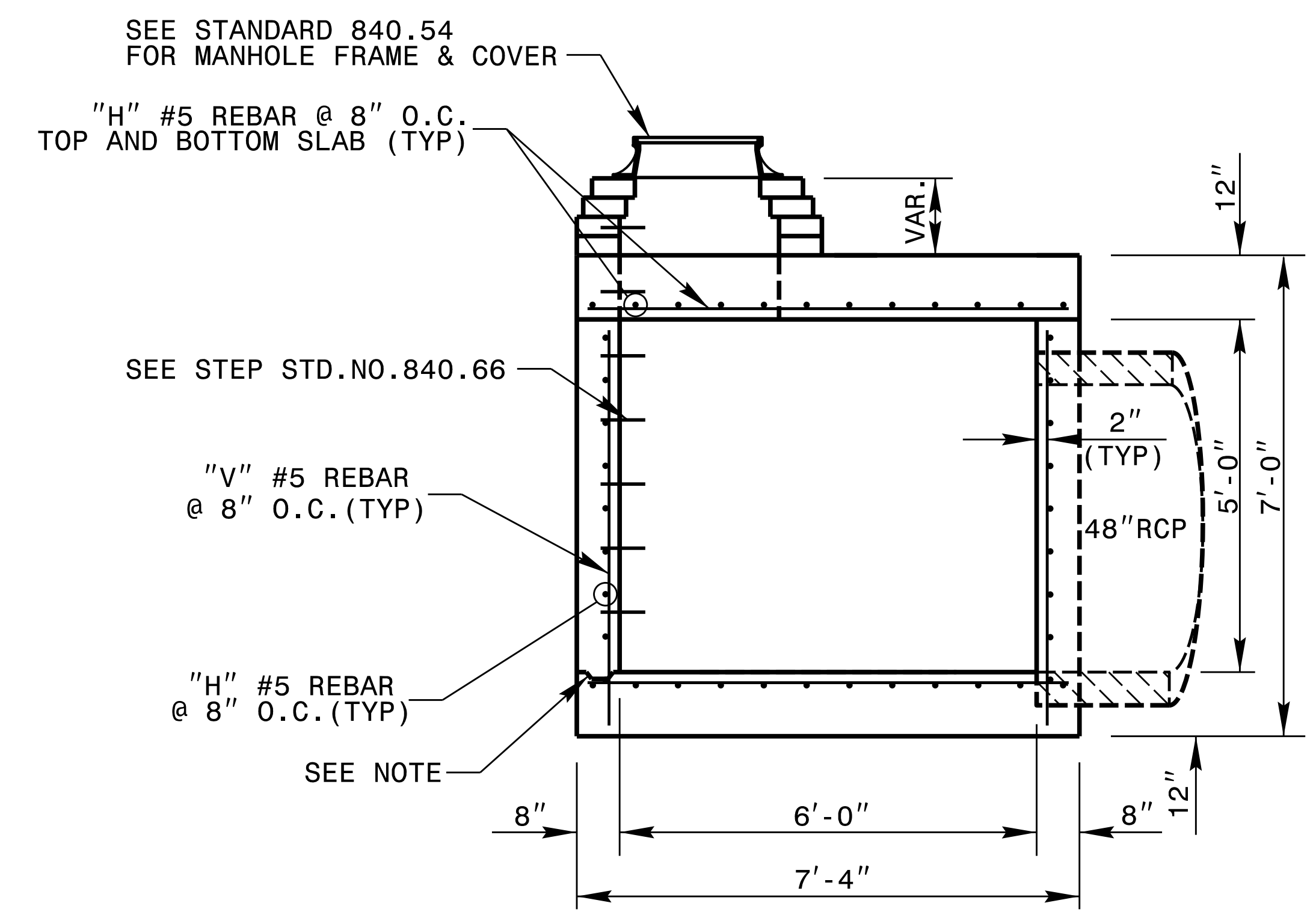
**PLAN VIEW**



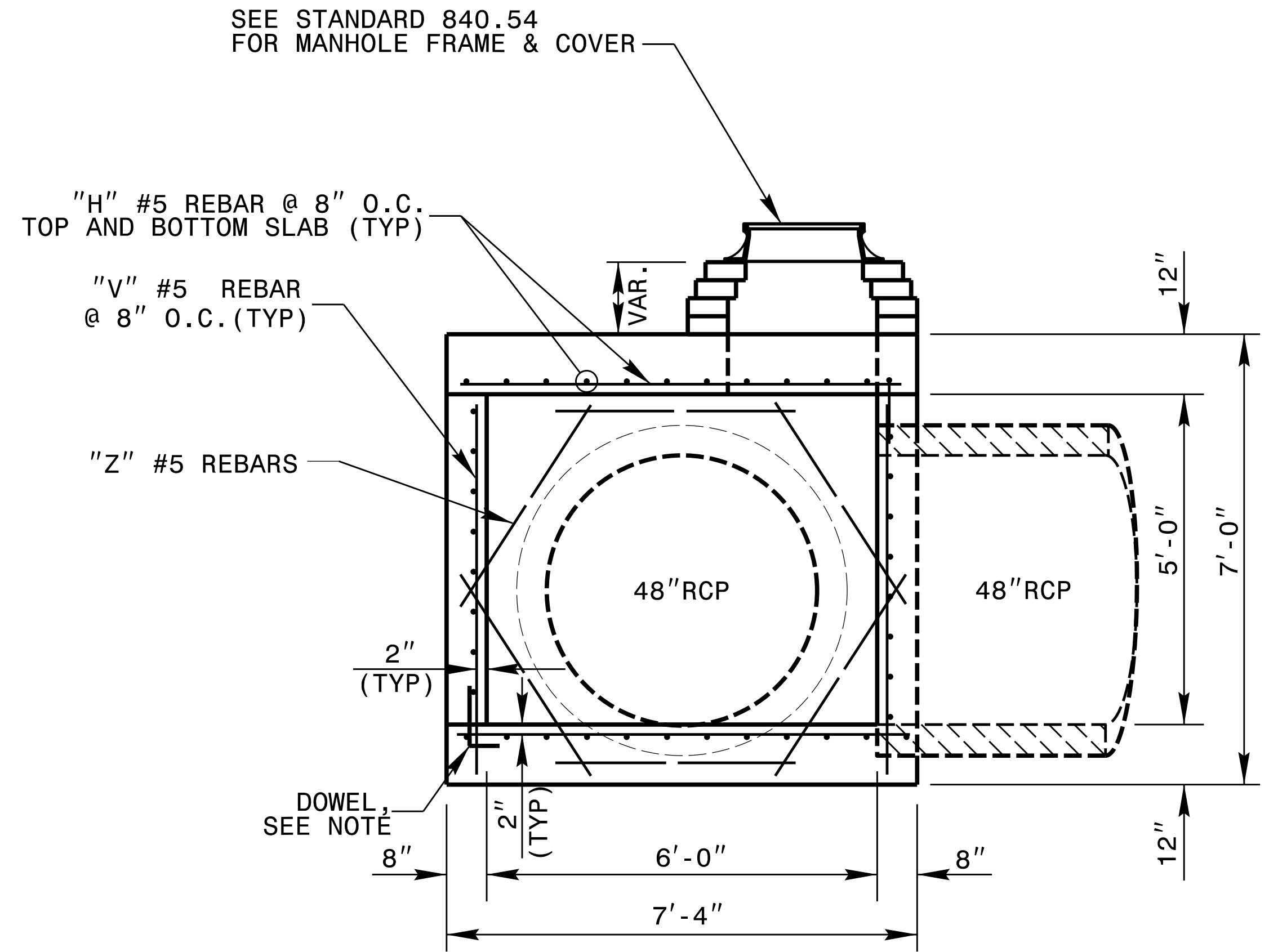
**DOWEL**

BILL OF MATERIALS				
BAR	NO.	SIZE	LENGTH	WEIGHT
H	76	#5	7'-0"	555
V	44	#5	5'-6"	252
Z	12	#5	4'-0"	50
TOTAL REINF. STEEL (LBS.)				857
TOTAL CONC. (CU. YDS.)				7.3

\* 0.30 CU. YD. PER FOOT OF RISER HEIGHT  
 \* 0.50 CU. YD. DEDUCTION FOR 1-48" RC PIPE  
 \* NO DEDUCTION HAS BEEN MADE FOR PIPE OR CULVERT



**SECTION A-A**



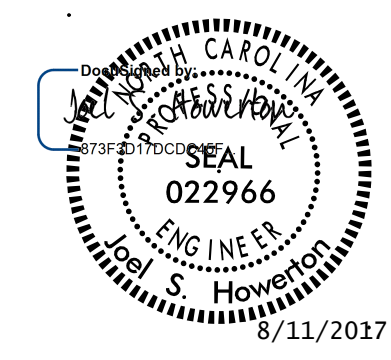
**SECTION B-B**

**DOCUMENT NOT CONSIDERED FINAL  
 UNLESS ALL SIGNATURES COMPLETED**

**CONTRACT STANDARDS & DEVELOPMENT UNIT  
 STANDARDS AND SPECIAL DESIGN**  
 Office 919-707-6950 FAX 919-250-4119

**TRAFFIC BEARING JUNCTION BOX  
 FOR 48" RCP**

ORIGINAL BY: \_\_\_\_\_ DATE: \_\_\_\_\_  
 MODIFIED BY: kkempf DATE: 07/12/2017  
 CHECKED BY: \_\_\_\_\_ DATE: \_\_\_\_\_  
 FILE SPEC.: deta11/kkempf/eng1/ish/u4751/tbjb\_48rcp.dgn



SYSTEMS DESIGN SUPERNAME