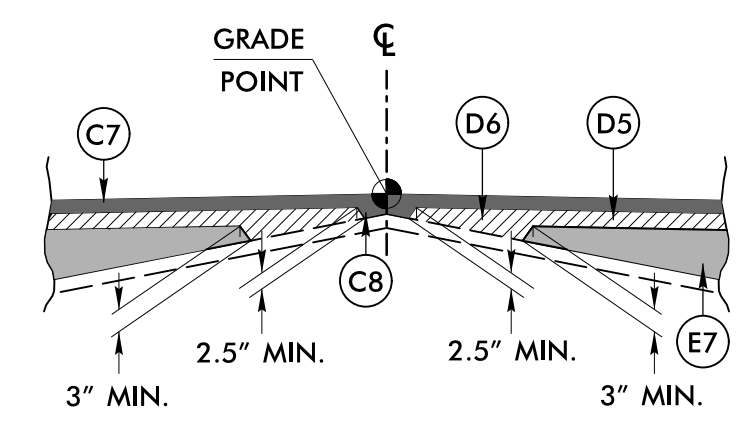


6/2/2017

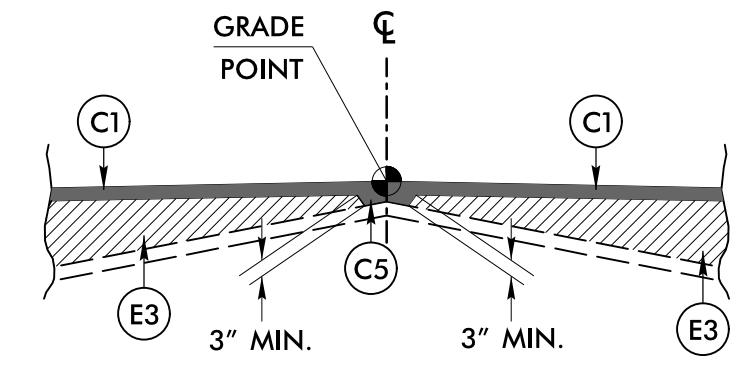
PROJECT REFERENCE NO. U-4751	SHEET NO. 2A-1
ROADWAY DESIGN ENGINEER J. C. STEPHENS 043891	PAVEMENT DESIGN ENGINEER CLARK S. MORRISON 022896

**DOCUMENT NOT CONSIDERED FINAL  
 UNLESS ALL SIGNATURES COMPLETED**



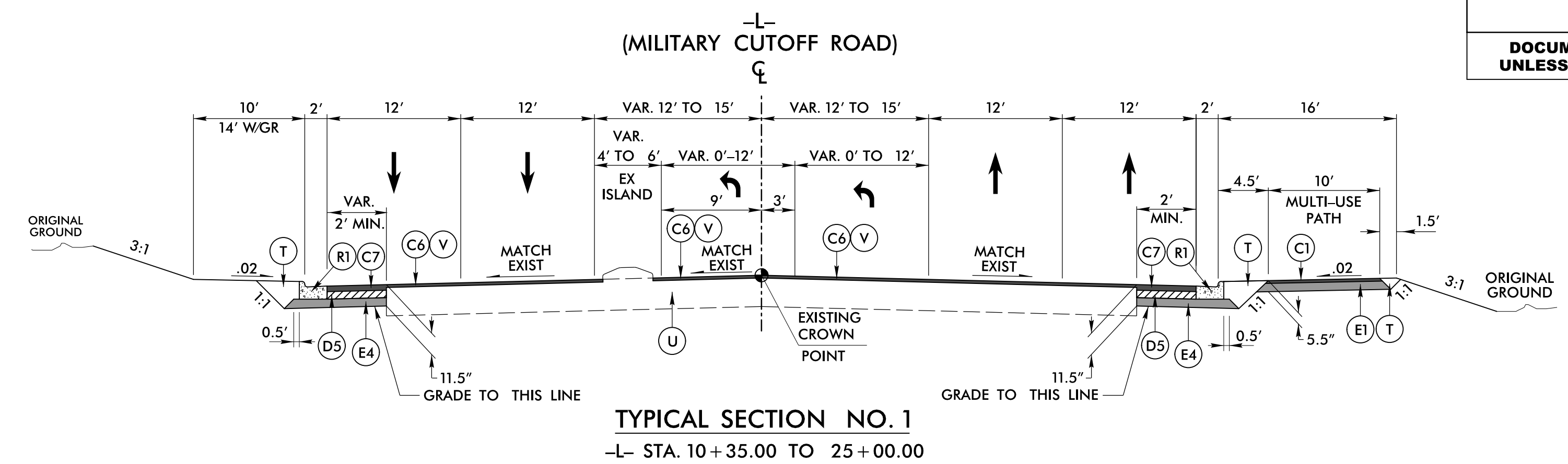
**WEDGING DETAIL NO. 1**

USE FOR TYPICAL SECTIONS 2, 8, 8A, 8B, & 8C



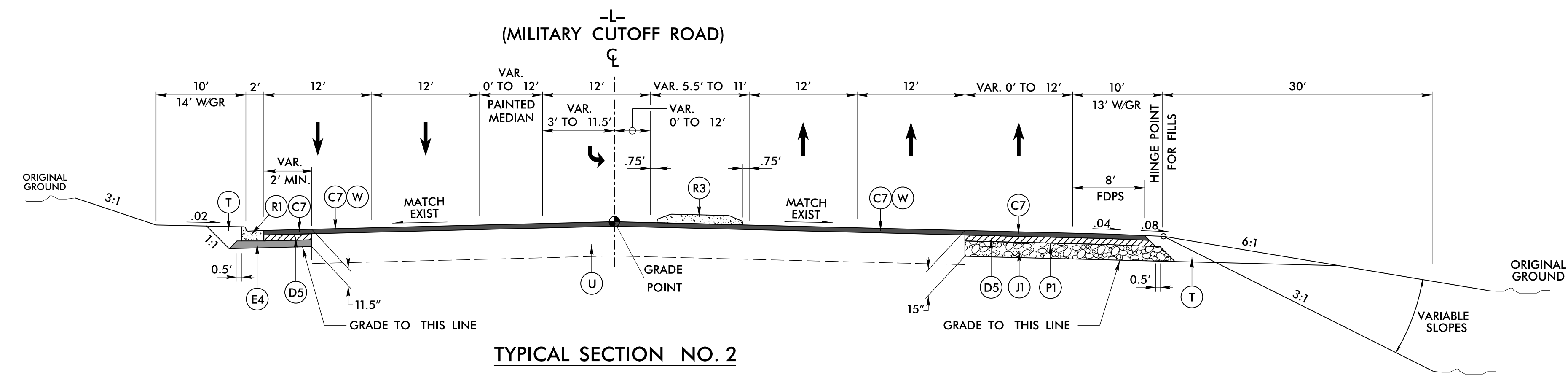
**WEDGING DETAIL NO. 2**

USE FOR TYPICAL SECTIONS 15, 17, 18, 30 & CUL-DE-SACS



**TYPICAL SECTION NO. 1**

-L- STA. 10+35.00 TO 25+00.00



**TYPICAL SECTION NO. 2**

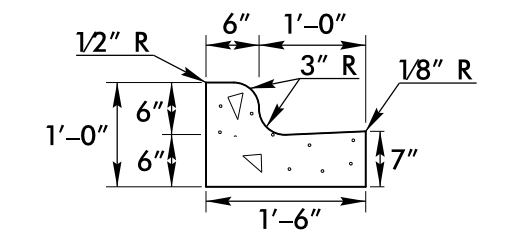
-L- STA. 25+00.00 TO 27+00.00

**PAVEMENT SCHEDULE**

(FINAL PAVEMENT DESIGN)

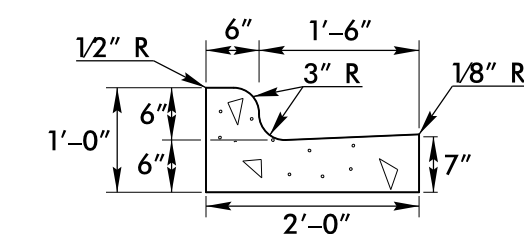
<b>C1</b>	PROP. APPROX. 1.5" ASPHALT CONCRETE SURFACE COURSE TYPE S9.5B, AT AN AVERAGE RATE OF 168 LBS. PER SQ.YD.	<b>D6</b>	PROP. VAR. DEPTH ASPHALT CONCRETE INTERMEDIATE COURSE, TYPE I19.0C, AT AN AVERAGE RATE OF 114 LBS. PER SQ.YD. PER 1" DEPTH TO BE PLACED IN LAYERS NOT LESS THAN 2.5" IN DEPTH OR GREATER THAN 4" IN DEPTH.	<b>R2</b>	1'-6" CONCRETE CURB AND GUTTER
<b>C2</b>	PROP. APPROX. 2" ASPHALT CONCRETE SURFACE COURSE TYPE S9.5B, AT AN AVERAGE RATE OF 224 LBS. PER SQ.YD.	<b>E1</b>	PROP. APPROX. 4" ASPHALT CONCRETE BASE COURSE TYPE B25.0B, AT AN AVERAGE RATE OF 456 LBS. PER SQ.YD.	<b>R3</b>	5" MONOLITHIC CONCRETE ISLAND (KEYED-IN)
<b>C3</b>	PROP. APPROX. 2.5" ASPHALT CONCRETE SURFACE COURSE TYPE S9.5B, AT AN AVERAGE RATE OF 280 LBS. PER SQ.YD.	<b>E2</b>	PROP. APPROX. 4.5" ASPHALT CONCRETE BASE COURSE TYPE B25.0B, AT AN AVERAGE RATE OF 513 LBS. PER SQ.YD.	<b>R4</b>	SHOULDER BERM GUTTER
<b>C4</b>	PROP. APPROX. 3" ASPHALT CONCRETE SURFACE COURSE TYPE S9.5B, AT AN AVERAGE RATE OF 168 LBS. PER SQ.YD. IN EACH OF TWO LAYERS.	<b>E3</b>	PROP. VAR. DEPTH ASPHALT CONCRETE BASE COURSE, TYPE B25.0B, AT AN AVERAGE RATE OF 114 LBS. PER SQ. YD. PER 1" DEPTH. TO BE PLACED IN LAYERS NOT LESS THAN 3" IN DEPTH OR GREATER THAN 5.5" IN DEPTH.	<b>R5</b>	2'-0" VALLEY GUTTER
<b>C5</b>	PROP. VAR. DEPTH ASPHALT CONCRETE SURFACE COURSE, TYPE S9.5B, AT AN AVERAGE RATE OF 112 LBS. PER SQ.YD. PER 1" DEPTH TO BE PLACED IN LAYERS NOT LESS THAN 1.5" IN DEPTH OR GREATER THAN 2" IN DEPTH.	<b>E4</b>	PROP. APPROX. 4.5" ASPHALT CONCRETE BASE COURSE TYPE B25.0C, AT AN AVERAGE RATE OF 513 LBS. PER SQ.YD.	<b>R6</b>	DOUBLE FACED CONCRETE BARRIER, TYPE T
<b>C6</b>	PROP. APPROX. 1.5" ASPHALT CONCRETE SURFACE COURSE TYPE S9.5C, AT AN AVERAGE RATE OF 168 LBS. PER SQ.YD.	<b>E5</b>	PROP. APPROX. 5.5" ASPHALT CONCRETE BASE COURSE TYPE B25.0C, AT AN AVERAGE RATE OF 627 LBS. PER SQ.YD.	<b>R7</b>	SINGLE FACED CONCRETE BARRIER
<b>C7</b>	PROP. APPROX. 3" ASPHALT CONCRETE SURFACE COURSE TYPE S9.5C, AT AN AVERAGE RATE OF 168 LBS. PER SQ.YD. IN EACH OF TWO LAYERS.	<b>E6</b>	PROP. APPROX. 7" ASPHALT CONCRETE BASE COURSE TYPE B25.0C, AT AN AVERAGE RATE OF 399 LBS. PER SQ.YD. IN EACH OF TWO LAYERS.	<b>R8</b>	2'-9" CONCRETE CURB AND GUTTER (SEE DETAIL 2C-1)
<b>C8</b>	PROP. VAR. DEPTH ASPHALT CONCRETE SURFACE COURSE, TYPE S9.5C, AT AN AVERAGE RATE OF 112 LBS. PER SQ.YD. PER 1" DEPTH TO BE PLACED IN LAYERS NOT LESS THAN 1.5" IN DEPTH OR GREATER THAN 2" IN DEPTH.	<b>E7</b>	PROP. VAR. DEPTH ASPHALT CONCRETE BASE COURSE, TYPE B25.0C, AT AN AVERAGE RATE OF 114 LBS. PER SQ. YD. PER 1" DEPTH. TO BE PLACED IN LAYERS NOT LESS THAN 3" IN DEPTH OR GREATER THAN 5.5" IN DEPTH.	<b>S</b>	CONCRETE SIDEWALK
<b>D1</b>	PROP. APPROX. 2.5" ASPHALT CONCRETE INTERMEDIATE COURSE TYPE I19.0B, AT AN AVERAGE RATE OF 285 LBS. PER SQ.YD.	<b>J1</b>	PROP. 8" AGGREGATE BASE COURSE	<b>T</b>	EARTH MATERIAL
<b>D2</b>	PROP. APPROX. 3" ASPHALT CONCRETE INTERMEDIATE COURSE TYPE I19.0B, AT AN AVERAGE RATE OF 342 LBS. PER SQ.YD.	<b>J2</b>	PROP. 6" AGGREGATE BASE COURSE	<b>U</b>	EXISTING PAVEMENT
<b>D3</b>	PROP. APPROX. 4" ASPHALT CONCRETE INTERMEDIATE COURSE TYPE I19.0B, AT AN AVERAGE RATE OF 456 LBS. PER SQ.YD.	<b>J3</b>	PROP. VAR. DEPTH AGGREGATE BASE COURSE	<b>V</b>	MILLING ASPHALT PAVEMENT, 1.5" DEPTH
<b>D4</b>	PROP. VAR. DEPTH ASPHALT CONCRETE INTERMEDIATE COURSE, TYPE I19.0B, AT AN AVERAGE RATE OF 114 LBS. PER SQ.YD. PER 1" DEPTH TO BE PLACED IN LAYERS NOT LESS THAN 2.5" IN DEPTH OR GREATER THAN 4" IN DEPTH.	<b>P1</b>	PRIME COAT AT THE RATE OF .35 GAL. PER SQ. YARD	<b>W</b>	VARIABLE DEPTH ASPHALT PAVEMENT (SEE WEDGING DETAILS THIS SHEET)
<b>D5</b>	PROP. APPROX. 4" ASPHALT CONCRETE INTERMEDIATE COURSE TYPE I19.0C, AT AN AVERAGE RATE OF 456 LBS. PER SQ.YD.	<b>R1</b>	2'-6" CONCRETE CURB AND GUTTER	<b>Y</b>	MILLED RUMBLE STRIPS

**SPECIAL CURB DETAILS FOR CHANNELIZATION**



**1'-6" CURB AND GUTTER (NON-STANDARD)**

- Y1- STA. 58+17.54 TO 59+05.96 RT
- Y1- STA. 58+31.84 TO 58+97.96 RT
- Y1- STA. 63+52.06 TO 64+64.59 RT
- Y1- STA. 65+81.70 TO 66+06.30 RT
- Y1- STA. 66+35.00 TO 66+81.66 RT
- Y1- STA. 67+10.36 TO 67+30.18 RT
- Y1- STA. 79+19.00 TO 80+81.11 RT



**2'-0" CURB AND GUTTER**

- L- STA. 30+92.00 TO 31+59.00 LT
- Y1- STA. 24+54.00 TO 25+77.00 RT
- Y1- STA. 28+65.48 RT TO -Y- STA. 23+38.18 RT
- Y1- STA. 27+76.88 LT TO -Y- STA. 20+70.93 RT
- Y- STA. 20+53.67 LT TO -Y1- STA. 32+98.97 LT
- Y- STA. 23+58.91 LT TO -Y1- STA. 32+26.75 RT
- Y1- STA. 32+32.66 TO STA. 32+97.25 RT
- Y1- STA. 33+19.20 TO STA. 33+93.02 RT
- Y1- STA. 34+67.09 TO STA. 36+01.92 RT
- Y1- STA. 36+65.07 TO STA. 37+08.78 RT
- Y1- STA. 37+70.91 TO STA. 38+26.67 RT

SEE STD. 846.01 FOR ALL APPLICABLE NOTES AND SECTION VIEW OF JOINTS.

6/2/2017  
 C:\Users\jcooper\OneDrive\Documents\Projects\U4751\RDY\_psh02A\_TYP.dgn  
 jcooper