



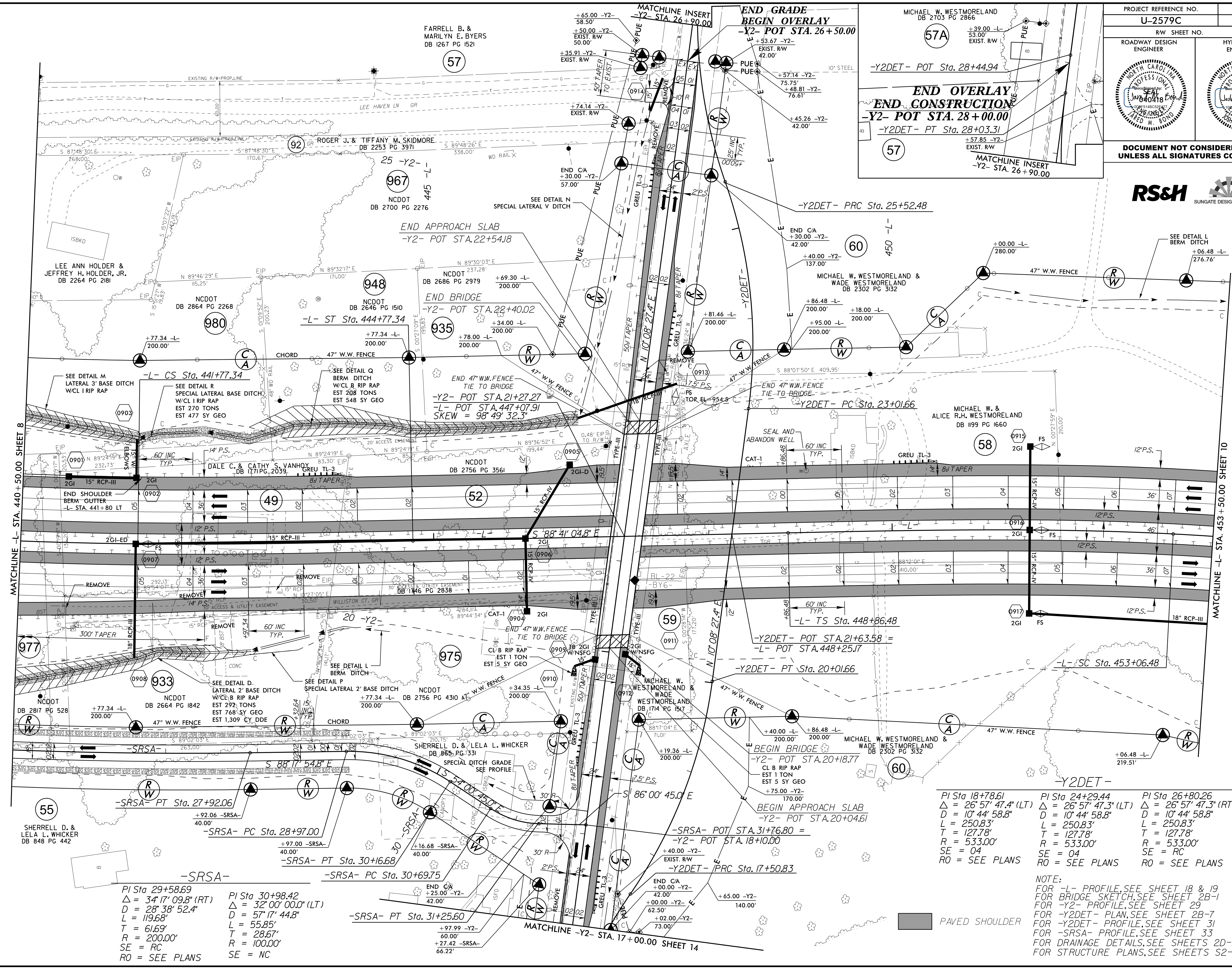
8/17/99

REVISIONS

PROJECT REFERENCE NO. U-2579C	SHEET NO. 9
ROADWAY DESIGN ENGINEER	HYDRAULICS ENGINEER

DOCUMENT NOT CONSIDERED FINAL UNLESS ALL SIGNATURES COMPLETED



PI Sta 18+78.61 $\Delta = 26' 57'' 47.4''$ (LT) $D = 10' 44'' 58.8''$ $L = 250.83'$ $T = 127.78'$ $R = 533.00'$ $SE = 04$ $RO = \text{SEE PLANS}$	PI Sta 24+29.44 $\Delta = 26' 57'' 47.3''$ (LT) $D = 10' 44'' 58.8''$ $L = 250.83'$ $T = 127.78'$ $R = 533.00'$ $SE = 04$ $RO = \text{SEE PLANS}$	PI Sta 26+80.26 $\Delta = 26' 57'' 47.3''$ (RT) $D = 10' 44'' 58.8''$ $L = 250.83'$ $T = 127.78'$ $R = 533.00'$ $SE = RC$ $RO = \text{SEE PLANS}$
--	--	--

NOTE:
 FOR -L- PROFILE, SEE SHEET 18 & 19
 FOR BRIDGE SKETCH, SEE SHEET 2B-1
 FOR -Y2- PROFILE, SEE SHEET 29
 FOR -Y2DET- PLAN, SEE SHEET 2B-7
 FOR -Y2DET- PROFILE, SEE SHEET 31
 FOR -SRSA- PROFILE, SEE SHEET 33
 FOR DRAINAGE DETAILS, SEE SHEETS 2D-1 TO 2D-4
 FOR STRUCTURE PLANS, SEE SHEETS S2-1 TO S2-30

PI Sta 29+58.69 $\Delta = 34' 17'' 09.8''$ (RT) $D = 28' 38'' 52.4''$ $L = 119.68'$ $T = 61.69'$ $R = 200.00'$ $SE = RC$ $RO = \text{SEE PLANS}$	PI Sta 30+98.42 $\Delta = 32' 00'' 00.0''$ (LT) $D = 57' 17'' 44.8''$ $L = 55.85'$ $T = 28.67'$ $R = 100.00'$ $SE = NC$
---	---

07-JUL-2017 09:44
 R:\Roadwork\U-2579C\psh_9.dgn
 \$\$\$\$\$\$DISPERFRAME\$\$\$\$\$\$