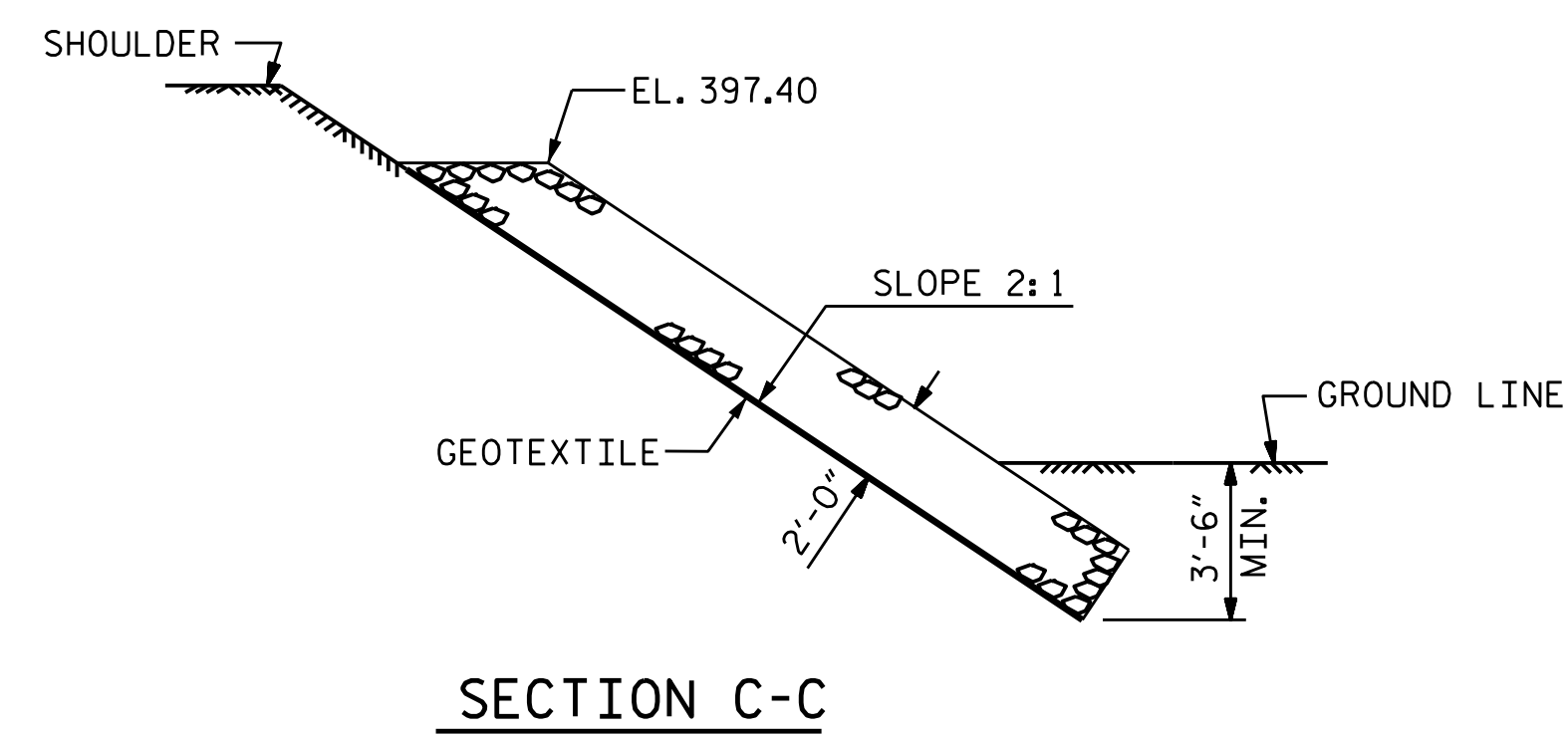
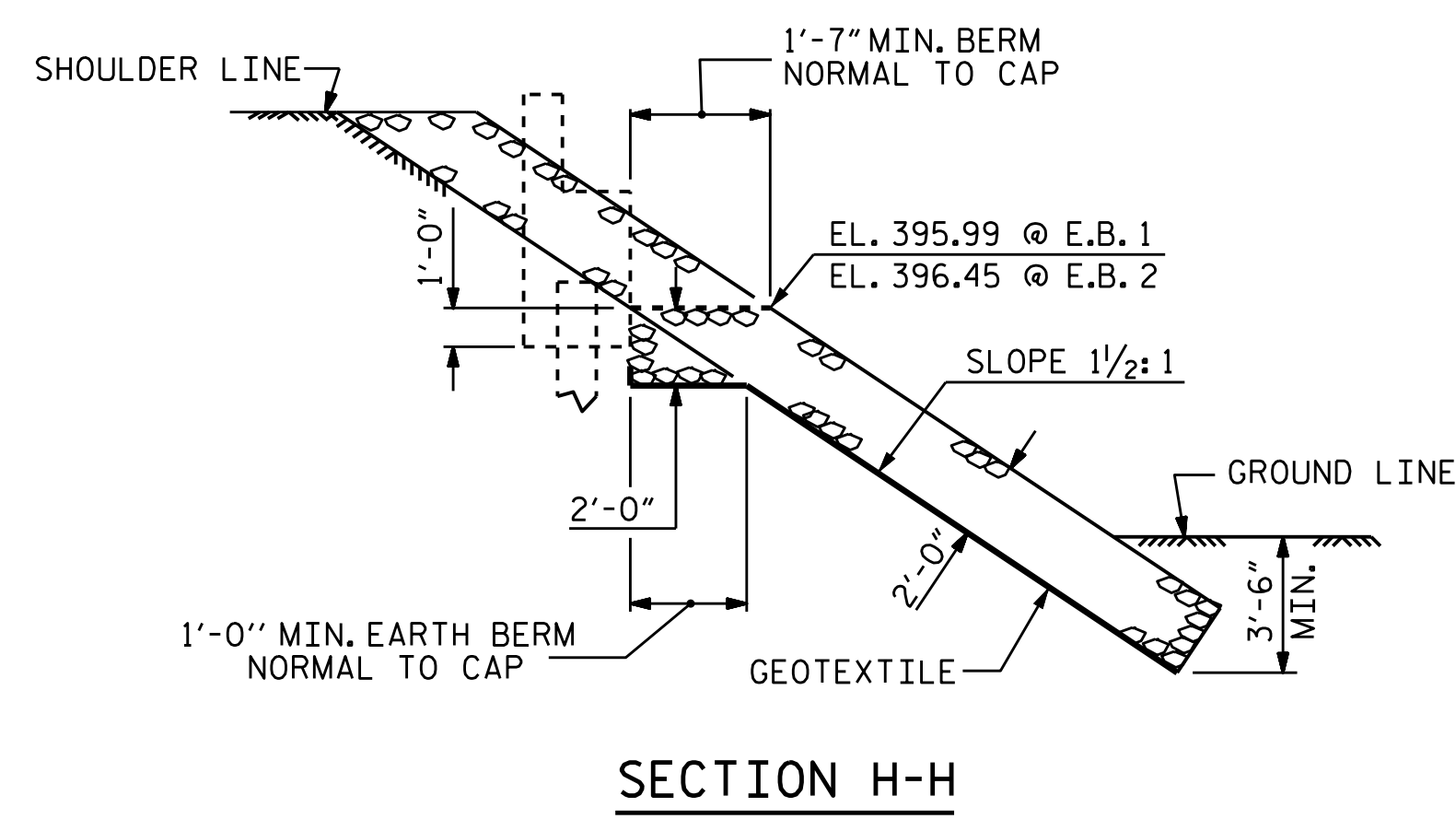
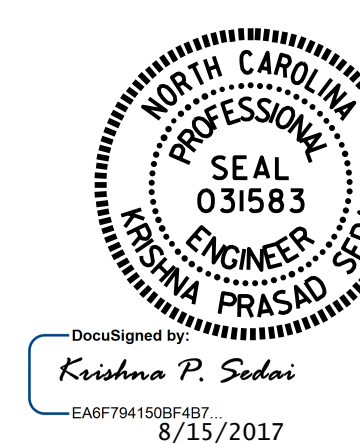


ESTIMATED QUANTITIES			
BRIDGE @ STA. 14+87.00 -L-	RIP RAP CLASS I	RIP RAP CLASS II (2'-0" THICK)	GEOTEXTILE FOR DRAINAGE
	TONS	TONS	SQUARE YARDS
END BENT 1		80	90
END BENT 2		100	110
* CREEK BANK	90		105

* CREEK BANK QUANTITY IS LISTED UNDER BENT 1 FOR THE TOTAL BILL OF MATERIAL.



PROJECT NO. B-5362
MONTGOMERY COUNTY
 STATION: 14+87.00 -L-



STATE OF NORTH CAROLINA
 DEPARTMENT OF TRANSPORTATION
 RALEIGH

—RIP RAP DETAILS—

ASSEMBLED BY :	A. SORSENGINH	DATE :	7/2016
CHECKED BY :	E. K. POPE	DATE :	4/2017
DRAWN BY :	REK 1/84	REV. 5/1/06R	TLA/GM
CHECKED BY :	RDU 1/84	REV. 10/1/11	MAA/GM
		REV. 12/21/11	MAA/GM

DOCUMENT NOT CONSIDERED
 FINAL UNLESS ALL
 SIGNATURES COMPLETED

REVISIONS						SHEET NO.
NO.	BY:	DATE:	NO.	BY:	DATE:	S-19
1			3			TOTAL SHEETS
2			4			21