

**BAR TYPES**

**BILL OF MATERIAL**

BAR NO.	NO.	SIZE	TYPE	LENGTH	WEIGHT
B1	8	#11	1	41'-2"	1750
B2	4	#5	STR	38'-2"	159
B3	8	#4	STR	20'-4"	109
B4	10	#4	STR	2'-11"	19
D1	48	#8	STR	2'-3"	288
S1	38	#5	2	8'-7"	340
S2	10	#5	2	7'-8"	80
S3	16	#4	3	7'-7"	81
U1	4	#4	4	5'-10"	16
U2	6	#4	4	5'-3"	21
U3	2	#9	4	10'-1"	69

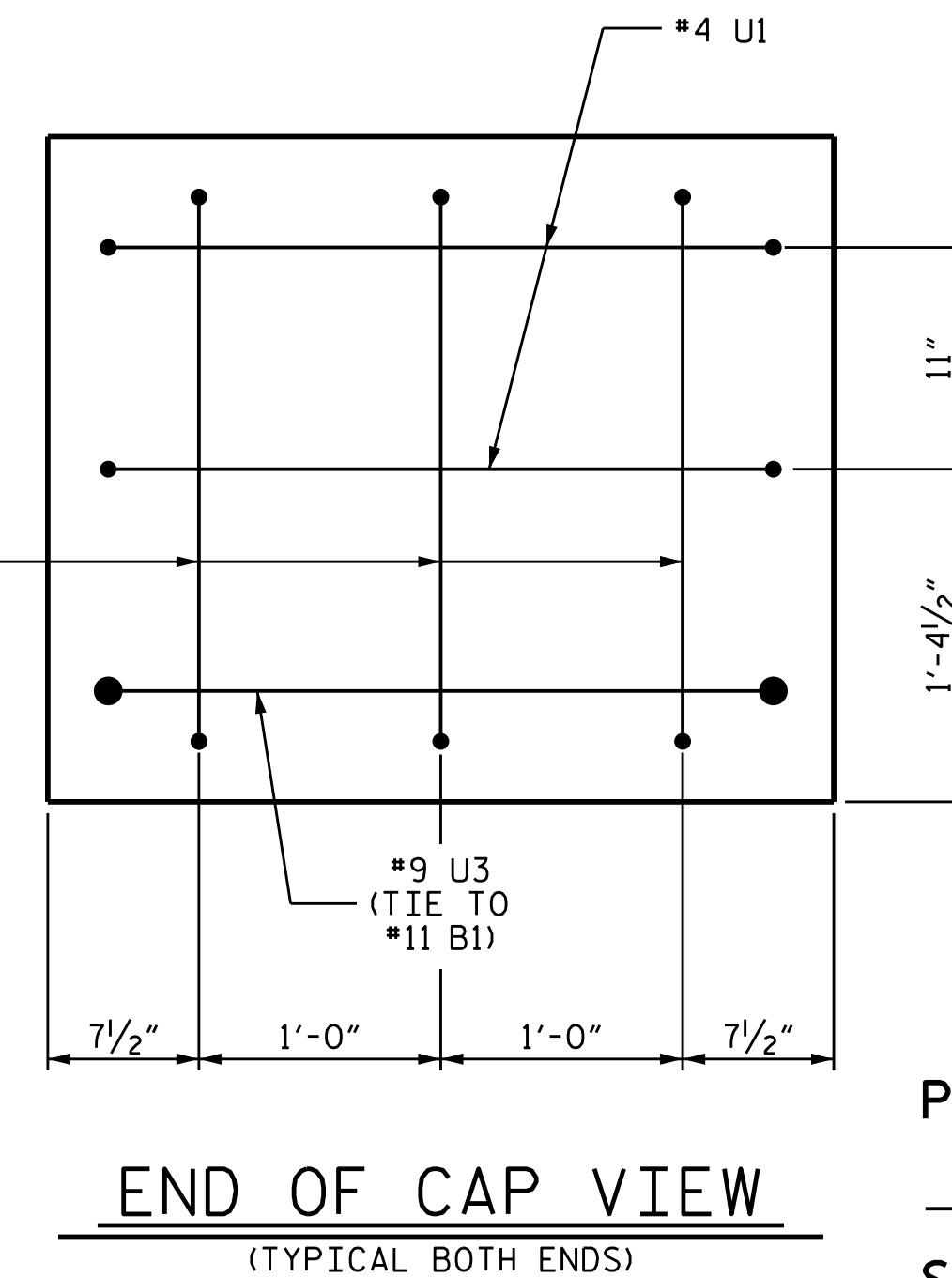
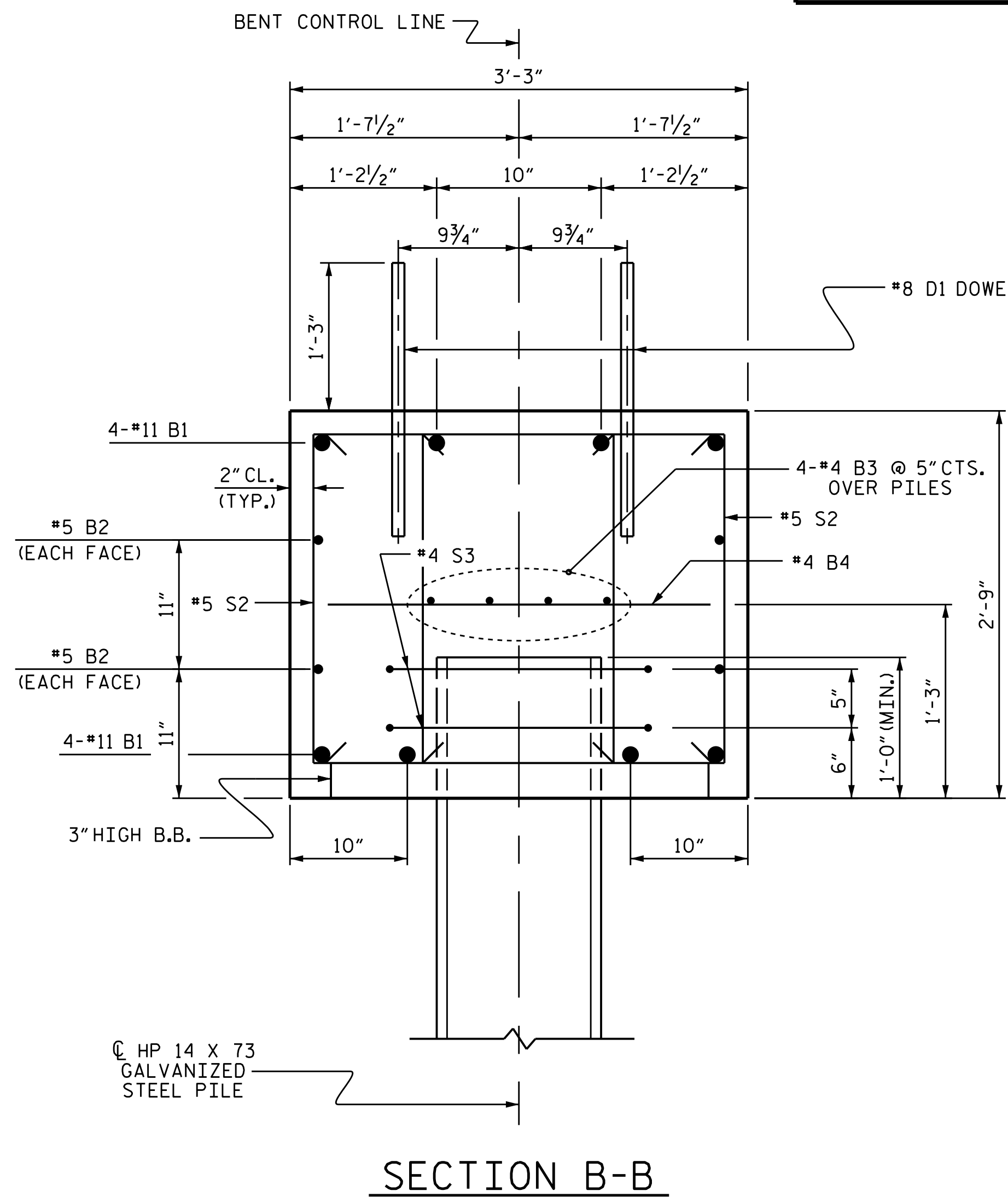
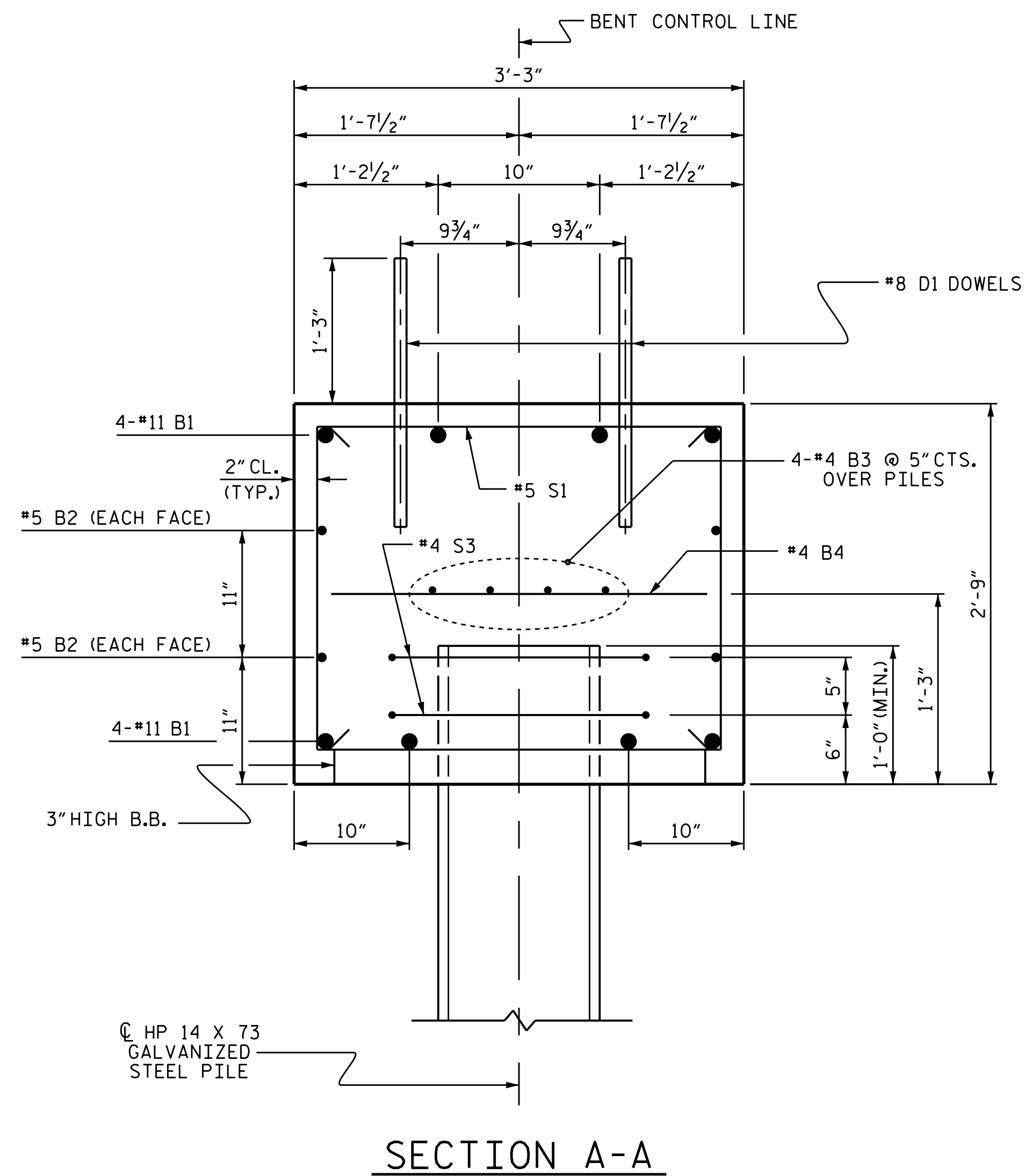
REINFORCING STEEL 2932 LBS

CLASS A CONCRETE BREAKDOWN  
TOTAL CLASS A CONCRETE 12.7 C.Y.

HP 14 X 73 GALVANIZED STEEL PILES  
No. 8 LIN. FT. 240

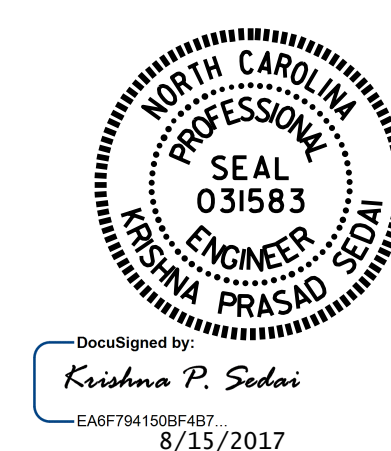
PILE DRIVING EQUIPMENT SETUP FOR HP 14 X 73 GALVANIZED STEEL PILES No. 8

ALL BAR DIMENSIONS ARE OUT TO OUT.



PROJECT NO. B-5362  
MONTGOMERY COUNTY  
 STATION: 14+87.00 -L-

SHEET 2 OF 2



STATE OF NORTH CAROLINA  
 DEPARTMENT OF TRANSPORTATION  
 RALEIGH

**SUBSTRUCTURE**  
**BENT 1**

DRAWN BY : A. SORSENGINH DATE : 4/2017  
 CHECKED BY : E. K. POPE DATE : 4/2017  
 DESIGN ENGINEER OF RECORD: H. A. LOCKLEAR DATE : 4/2017

DOCUMENT NOT CONSIDERED  
 FINAL UNLESS ALL  
 SIGNATURES COMPLETED

REVISIONS						SHEET NO.
NO.	BY:	DATE:	NO.	BY:	DATE:	S-18
1			3			TOTAL SHEETS
2			4			21