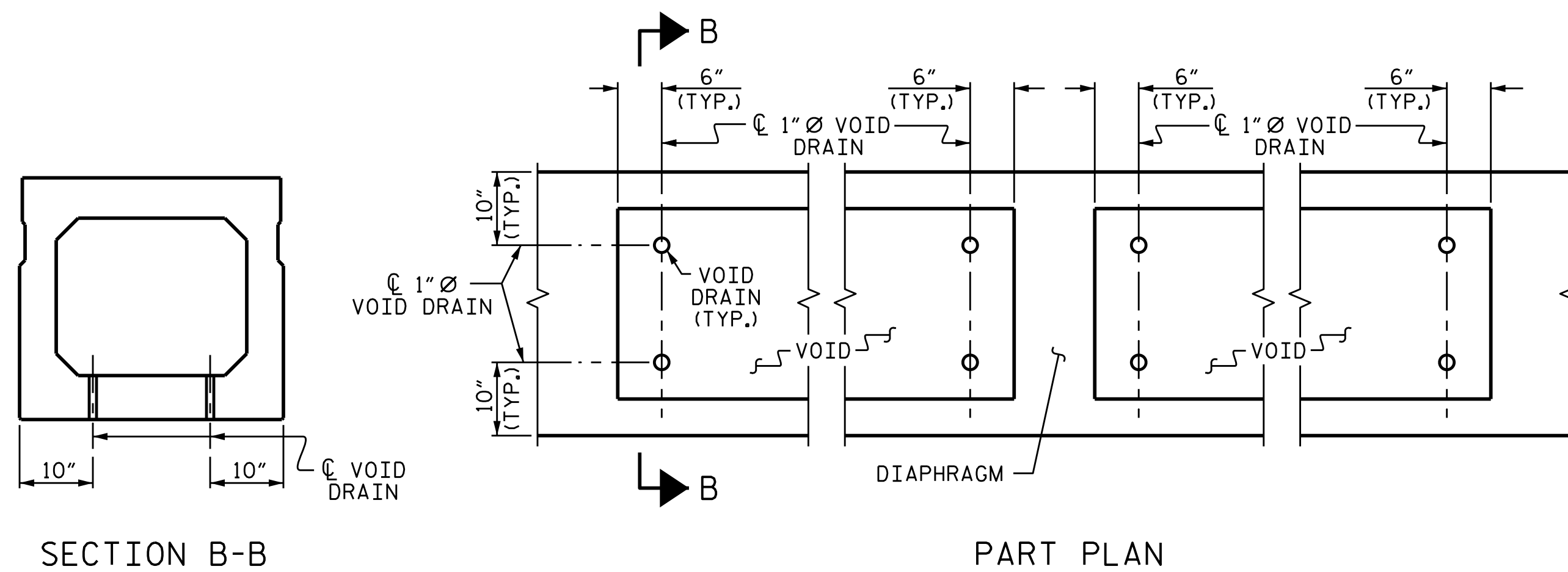


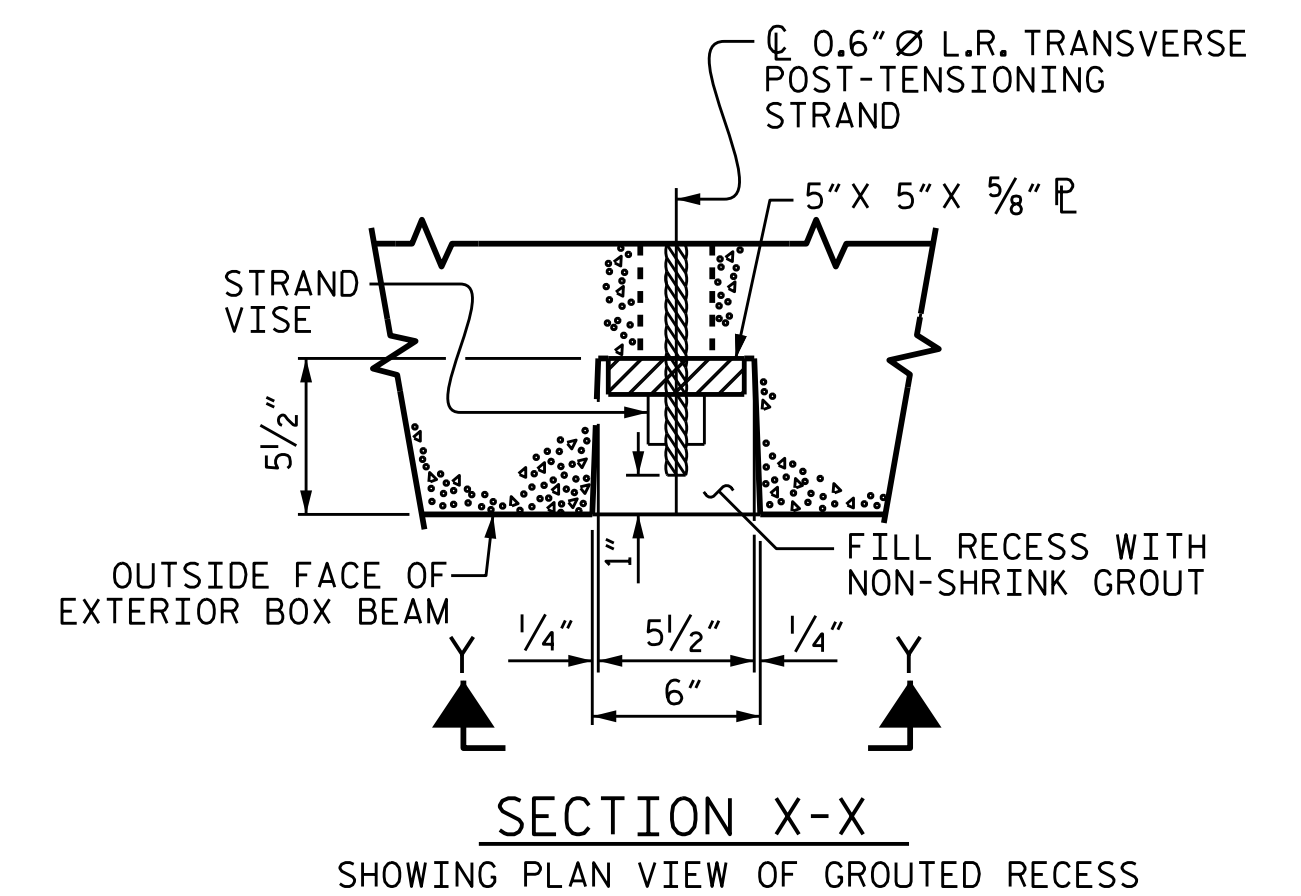
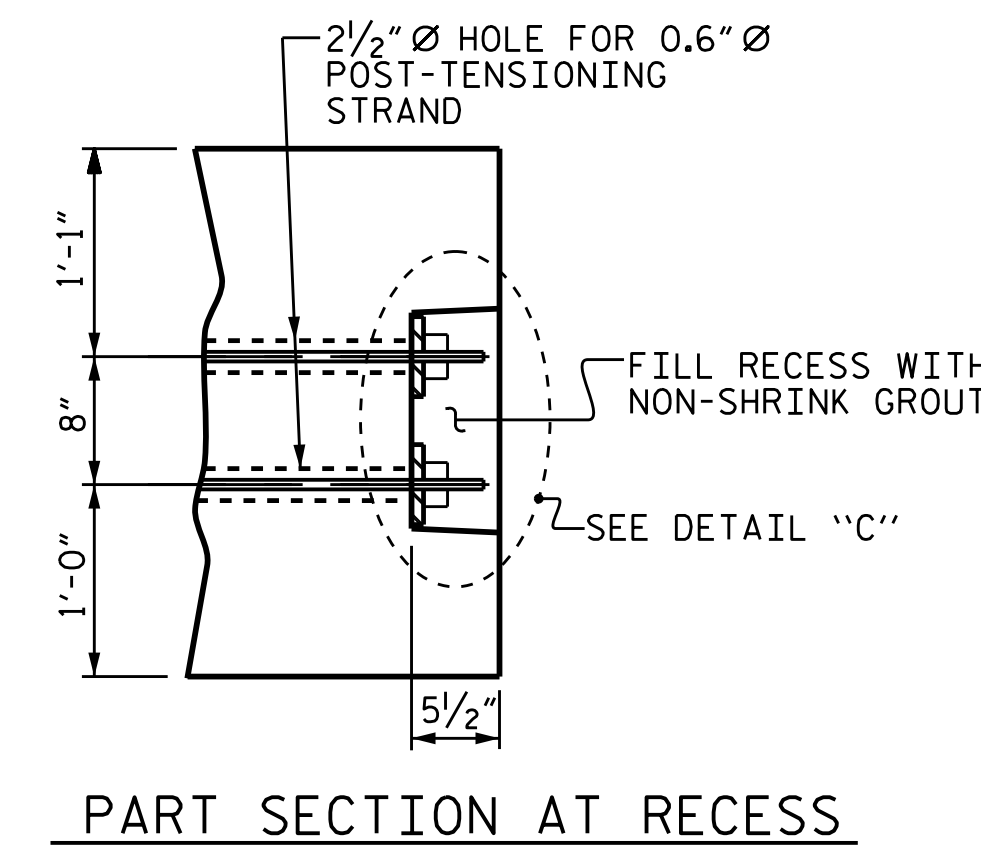
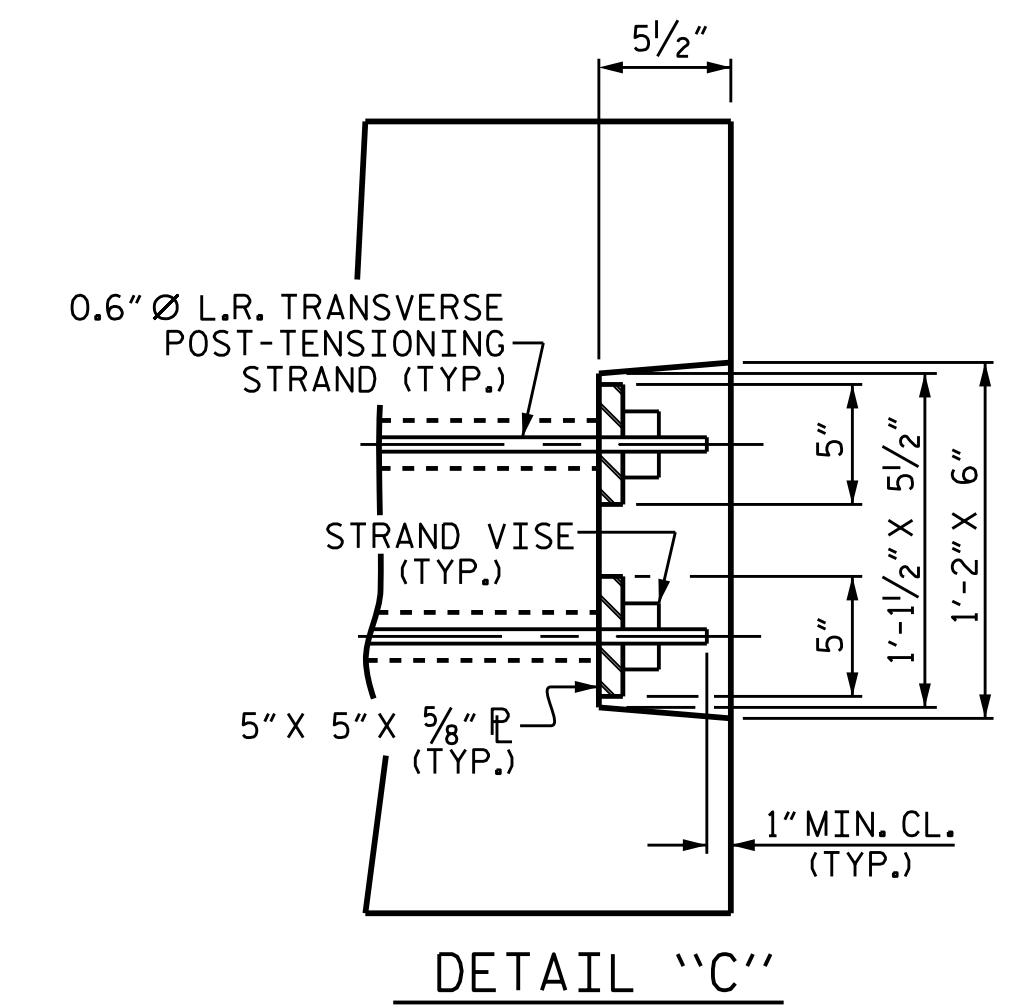
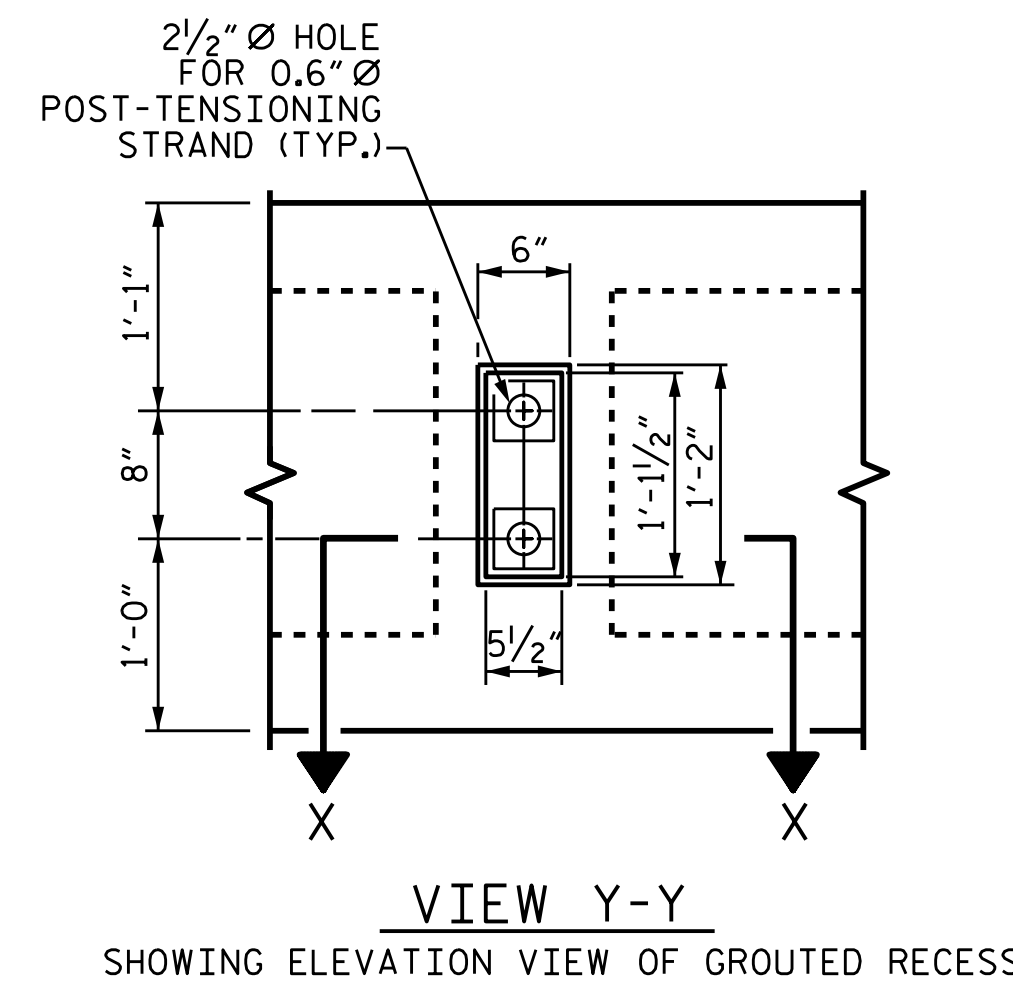
DOUBLE DIAPHRAGM DETAILS

#4 "S" BARS NOT SHOWN. #4 "S" BARS MAY BE SHIFTED SLIGHTLY TO CLEAR 2 1/2" Ø HOLE.



VOID DRAIN DETAILS

(DIMENSIONS SHOWN ARE TYPICAL FOR EACH VOID)

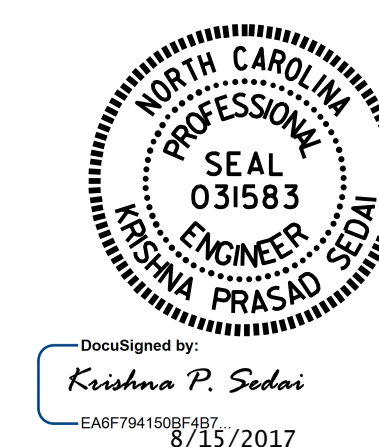


GROUDED RECESS DETAIL AT END OF POST-TENSIONED STRANDS OF EXTERIOR BOX BEAM

DEAD LOAD DEFLECTION AND CAMBER		
	3'-0" x 2'-9"	
	0.6" Ø L.R. STRAND	
	SPAN A	SPAN B
CAMBER (SLAB ALONE IN PLACE)	3/4"	2 3/4"
DEFLECTION DUE TO CONCRETE WEARING SURFACE	3/16"	9/16"
FINAL CAMBER	9/16"	2 3/16"

PROJECT NO. B-5362
MONTGOMERY COUNTY
 STATION: 14+87.00 -L-

SHEET 7 OF 7



STATE OF NORTH CAROLINA
 DEPARTMENT OF TRANSPORTATION
 RALEIGH
 3'-0" X 2'-9"
 PRESTRESSED CONCRETE
 BOX BEAM UNIT

DRAWN BY : A. SORSENGINH DATE : 7/2016
 CHECKED BY : E. K. POPE DATE : 3/2017
 DESIGN ENGINEER OF RECORD: H. A. LOCKLEAR DATE : 3/2017

DOCUMENT NOT CONSIDERED
 FINAL UNLESS ALL
 SIGNATURES COMPLETED

REVISIONS						SHEET NO.
NO.	BY:	DATE:	NO.	BY:	DATE:	S-11
1			3			TOTAL SHEETS
2			4			21