

PLAN
TOP OF CAP

SPAN B
SPAN A

NOTES:

REPAIR LOCATIONS AND ESTIMATE OF QUANTITIES ARE GIVEN WITH THE BEST INFORMATION AVAILABLE. IF ADDITIONAL REPAIRS NOT SHOWN ON THE DRAWINGS ARE DEEMED NECESSARY BY THE INSPECTOR OR ENGINEER THE CONTRACTOR SHALL NOTE ON THE DRAWINGS THE APPROXIMATE LOCATION AND DESCRIPTION OF THE REPAIRS AND ADJUST THE ACTUAL QUANTITIES ENTERED INTO THE REPAIR QUANTITY TABLE.

FOR CAP AND COLUMN REPAIR DETAILS, SEE "TYPICAL CAP AND COLUMN REPAIR DETAILS" SHEET.

FOR "SHOTCRETE REPAIRS", SEE SPECIAL PROVISIONS.

FOR "EPOXY RESIN INJECTION", SEE SPECIAL PROVISIONS.

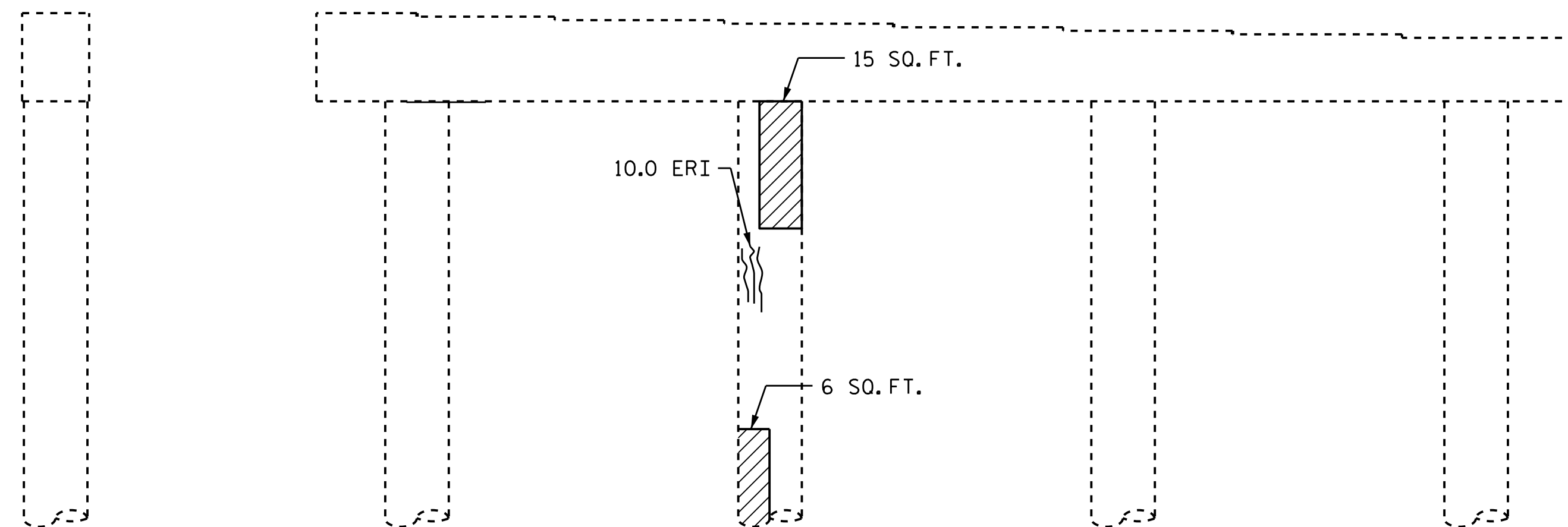
FOR "EPOXY COATING", SEE SPECIAL PROVISIONS.

- SHOTCRETE REPAIR
- ERI - EPOXY RESIN INJECTION

REPAIR QUANTITY TABLE

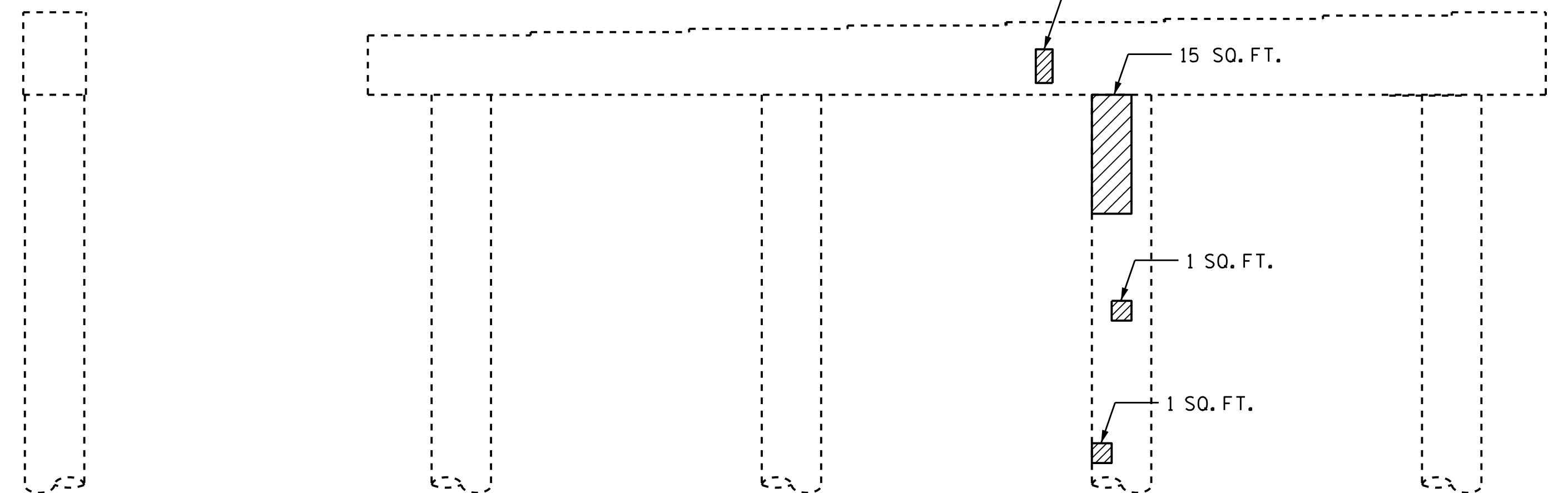
BENT 1	QUANTITIES			
	ESTIMATE		ACTUAL	
SHOTCRETE REPAIRS	AREA SF	VOLUME CF	AREA SF	VOLUME CF
CAP (VERTICAL FACE)	1.0	0.5		
CAP (HORIZONTAL, CORNER)	1.0	0.5		
COLUMN	38.0	19.0		
EPOXY RESIN INJECTION		LN. FT		LN. FT
CAP		0.0		
COLUMN		10.0		
EPOXY COATING		AREA SF		
TOP OF CAP		189.0		

VALUES IN CHART REPRESENT ESTIMATED REPAIR TOTALS AFTER REMOVAL OF UNSOUND CONCRETE, MIN. OF 1" BEHIND REBAR AND MIN. 2" CL TO SAWCUT. SEE REPAIR DETAILS.



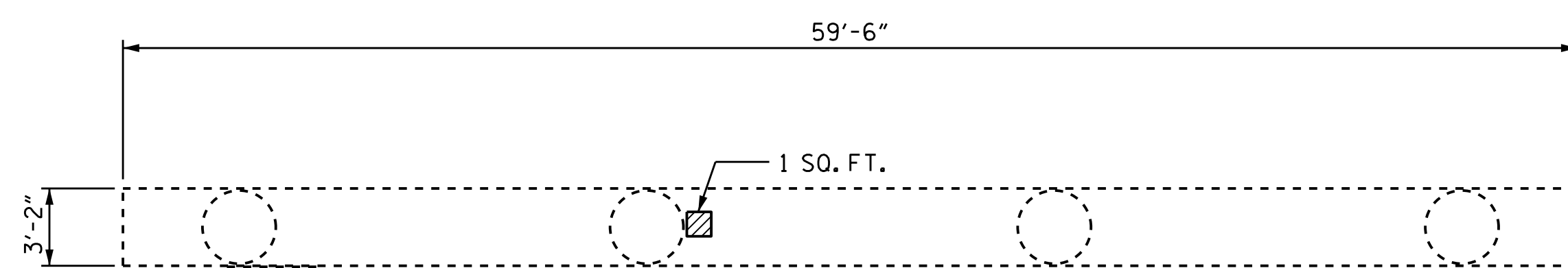
END VIEW
(LEFT SIDE)

ELEVATION
SPAN A SIDE



END VIEW
(RIGHT SIDE)

ELEVATION
SPAN B SIDE



PLAN
BOTTOM OF CAP

SPAN B
SPAN A

PROJECT NO. I-5781
JOHNSTON COUNTY
BRIDGE NO. 488



STATE OF NORTH CAROLINA
DEPARTMENT OF TRANSPORTATION
RALEIGH
**SUBSTRUCTURE
REPAIR
BENT 1**

DRAWN BY : S. T. SANDOR DATE : 04/2017
CHECKED BY : W. C. SMITH DATE : _____

DOCUMENT NOT CONSIDERED FINAL UNLESS ALL SIGNATURES COMPLETED

REVISIONS						SHEET NO.
NO.	BY:	DATE:	NO.	BY:	DATE:	TOTAL SHEETS
1			3			S-34
2			4			69