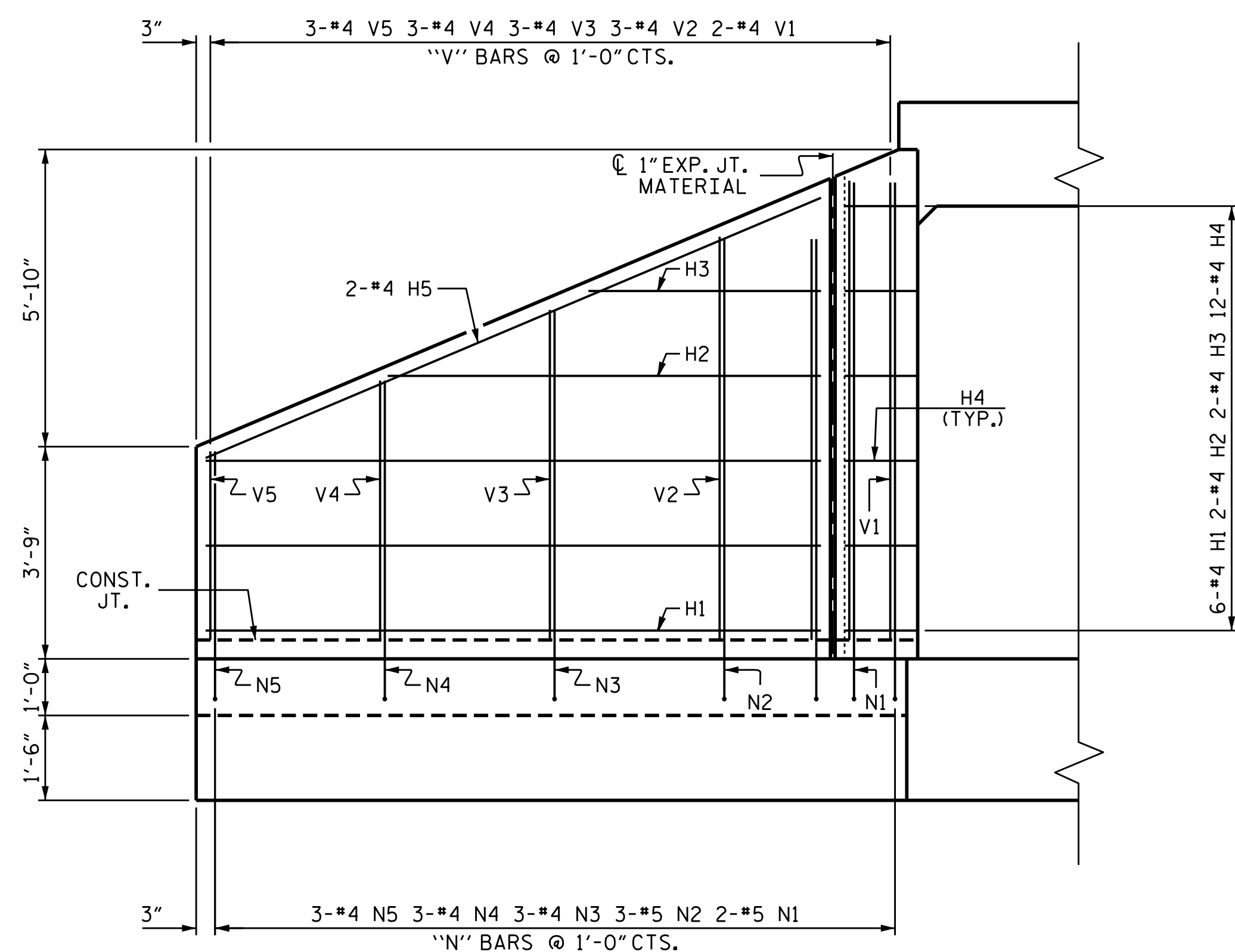
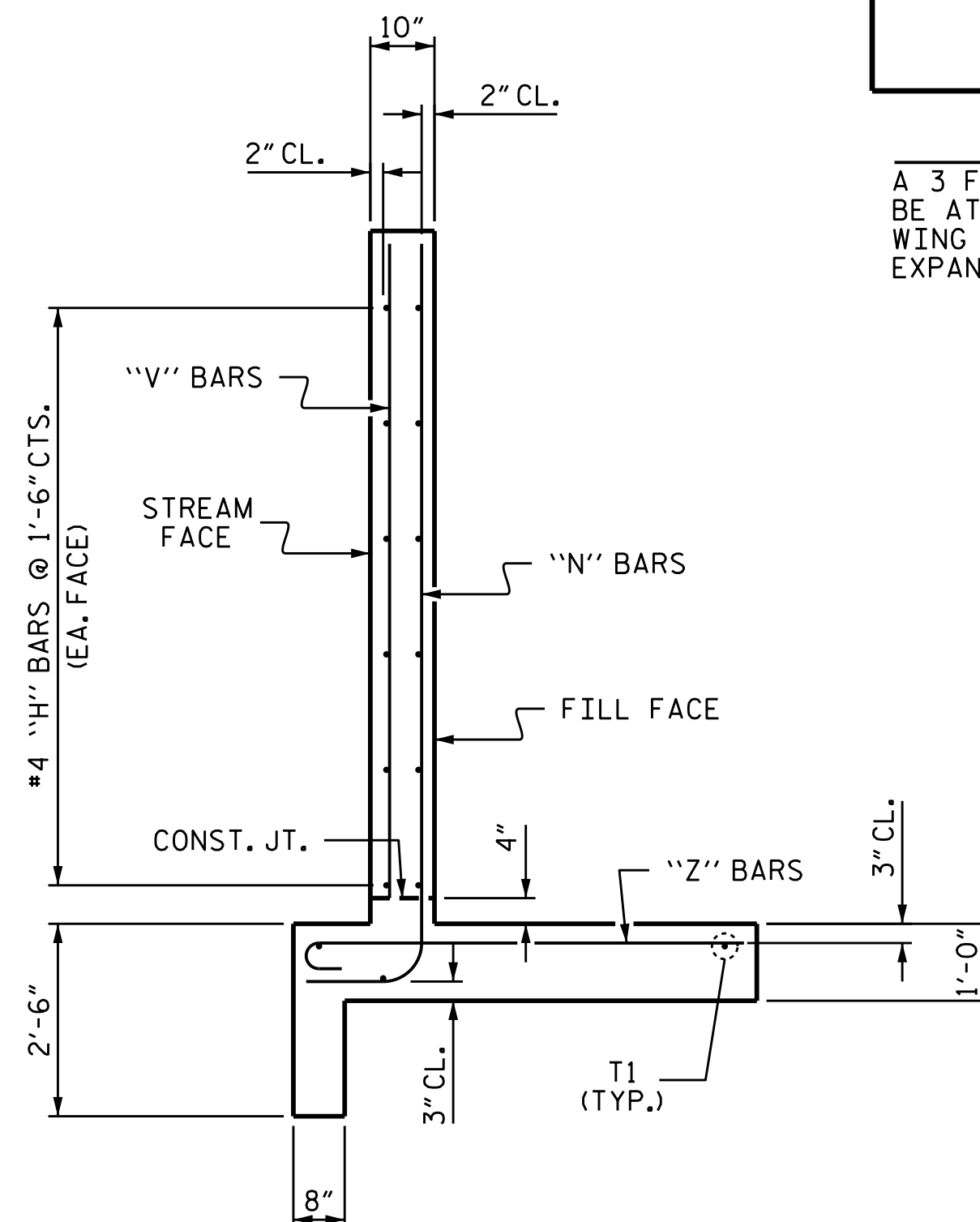


PLAN



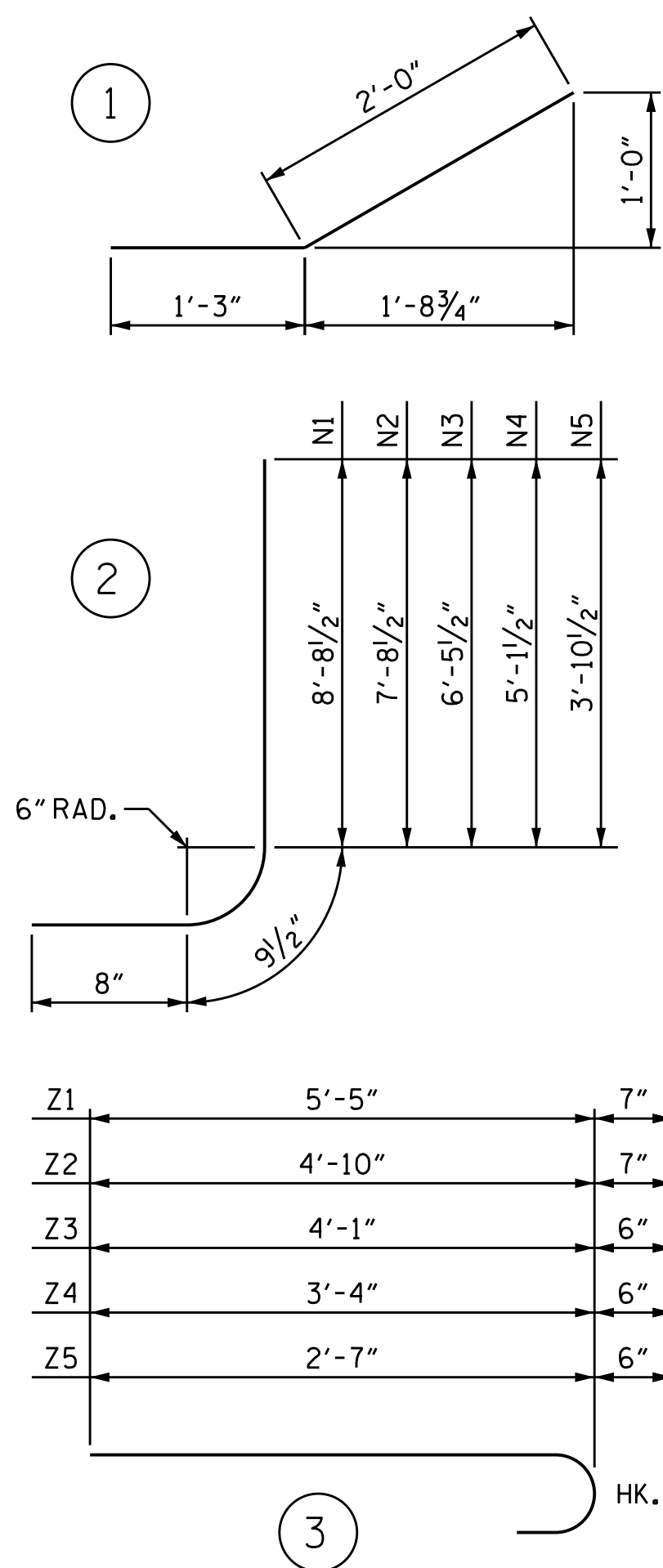
ELEVATION



TYPICAL WING SECTION

BAR TYPES

ALL BAR DIMENSIONS ARE OUT TO OUT.



NOTE

A 3 FOOT STRIP OF FILTER FABRIC SHALL BE ATTACHED TO THE FILL FACE OF THE WING COVERING THE ENTIRE LENGTH OF THE EXPANSION JOINT.

BILL OF MATERIAL

BAR NO.	NO.	SIZE	TYPE	LENGTH	WEIGHT
H1	24	#4	STR	10'-10"	174
H2	8	#4	STR	7'-8"	41
H3	8	#4	STR	4'-1"	22
H4	48	#4	STR	3'-3"	104
H5	8	#4	STR	11'-9"	63
N1	8	#5	2	10'-2"	85
N2	12	#5	2	9'-2"	115
N3	12	#4	2	7'-11"	63
N4	12	#4	2	6'-7"	53
N5	12	#4	2	5'-4"	43
S1	12	#6	STR	6'-0"	108
T1	12	#5	STR	12'-9"	160
V1	8	#4	STR	8'-1"	43
V2	12	#4	STR	7'-1"	57
V3	12	#4	STR	5'-10"	47
V4	12	#4	STR	4'-7"	37
V5	12	#4	STR	3'-4"	27
Z1	8	#5	3	6'-0"	50
Z2	12	#5	3	5'-5"	68
Z3	12	#4	3	4'-7"	37
Z4	12	#4	3	3'-10"	31
Z5	12	#4	3	3'-1"	25

REINFORCING STEEL FOR 4 WINGS LBS. 1,453

CLASS A CONCRETE
 4 WINGS C.Y. 21.4
 2 HEADWALLS C.Y. 0.9
 2 END CURTAIN WALLS C.Y. 0.8
 TOTAL C.Y. 23.1

ASSEMBLED BY : N.D.AIUTO DATE : 3/30/16
 CHECKED BY : H.A.LOCKLEAR DATE : 4/6/16
 DRAWN BY : CCJ 10/99
 CHECKED BY : RWW 03/00

26-JUL-2017 15:10
 R:\Structure\FINAL PLANS\412.009.U2579C.SMU.CU.005.330000.dgn
 mcheek



7/27/2017

DOCUMENT NOT CONSIDERED FINAL UNLESS ALL SIGNATURES COMPLETED

REVISIONS				SHEET NO.	
NO.	BY:	DATE:	NO.	BY:	DATE:
1			3		
2			4		

PROJECT NO. U-2579C
 FORSYTH COUNTY
 STATION: 437+96.50 -L-
 SHEET 5 OF 5

STATE OF NORTH CAROLINA
 DEPARTMENT OF TRANSPORTATION
 RALEIGH
STANDARD WINGS FOR CONCRETE BOX CULVERT
 H = 8'-0" SLOPE = 2:1
 90° SKEW

STR. #6 STD. NO. CW9008