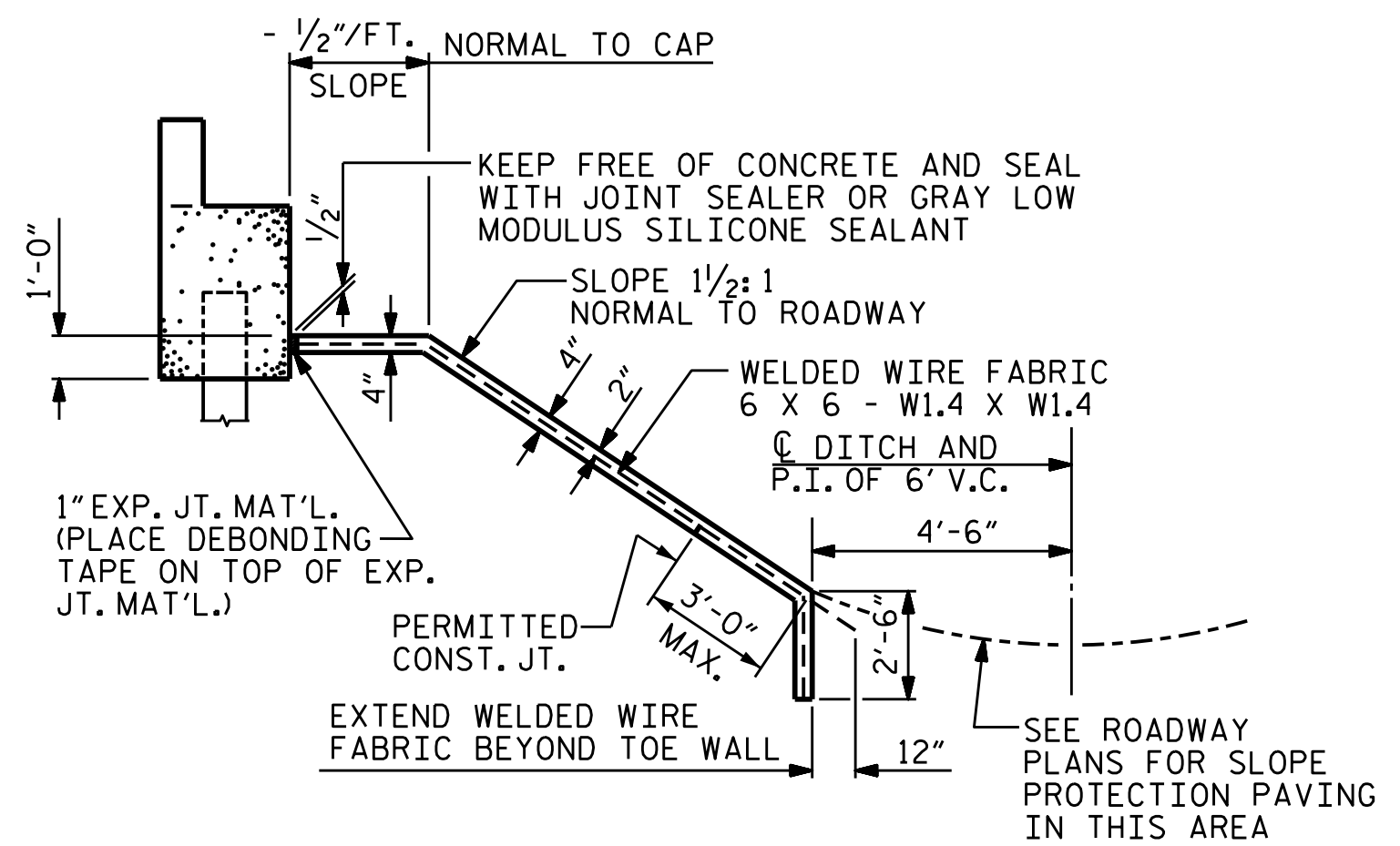
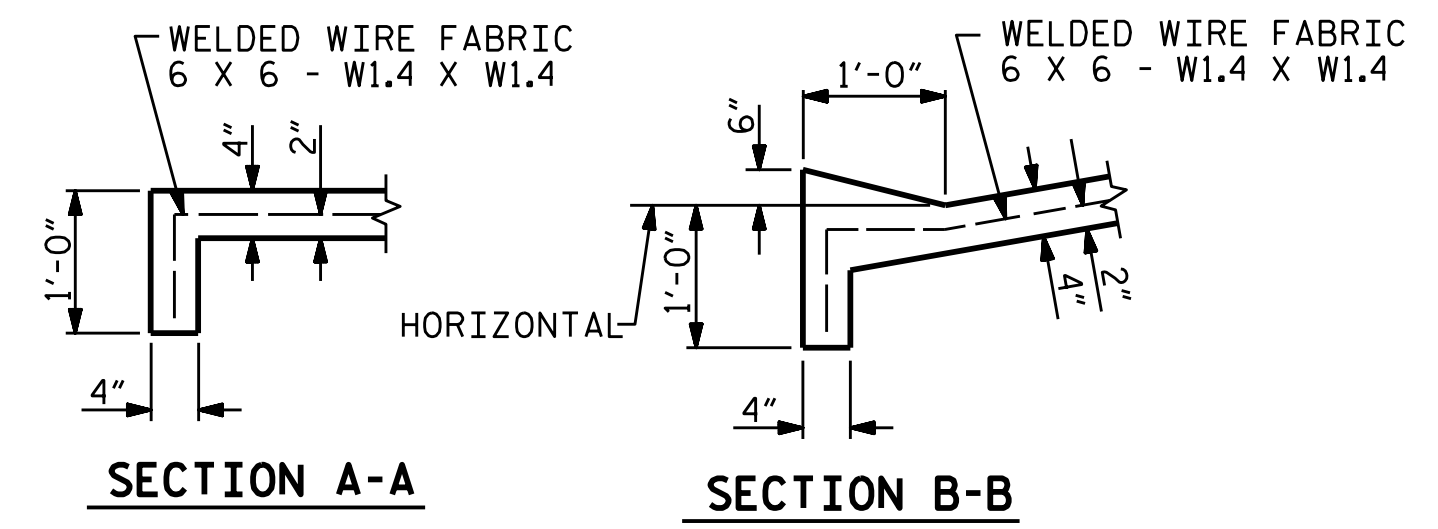


PLAN

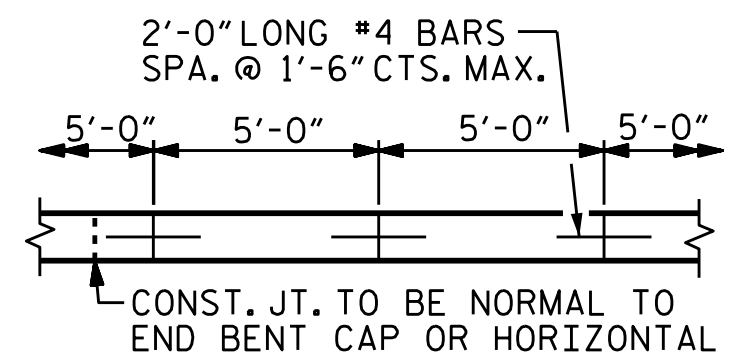


SECTION ALONG C SURVEY WHEN SLOPE CATCHES IN DITCH

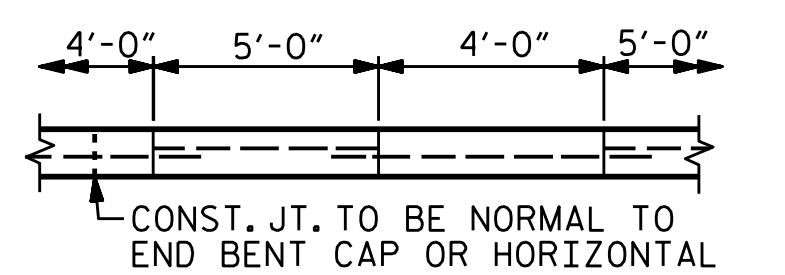


SECTION A-A

SECTION B-B



POURING DETAIL



OPTIONAL POURING DETAIL

**GENERAL NOTES**

STRAIGHT EDGING WILL NOT BE REQUIRED UNLESS, IN THE OPINION OF THE ENGINEER, VISUAL INSPECTION INDICATES A NEED FOR IT. MEASUREMENT AND PAYMENT SHALL BE AS PRESCRIBED IN SECTION 462 OF THE STANDARD SPECIFICATIONS. FOR BERM WIDTH, SEE GENERAL DRAWING. SLOPE PROTECTION SHALL CONSIST OF 4" POURED-IN-PLACE CONCRETE PAVING AS SHOWN IN THE DETAILS ON THIS SHEET. CONCRETE SHALL BE CLASS "B". THE CONCRETE SURFACE SHALL BE FLOATED WITH A WOODEN FLOAT AND FINISHED. WELDED WIRE FABRIC REINFORCING SHALL BE 6 X 6 - W1.4 X W1.4, 60" WIDE. SLOPE PROTECTION SHALL BE POURED IN 5' STRIPS AS SHOWN IN THE "POURING DETAIL" WITH 2'-0" LONG #4 BARS PLACED ALONG THE SLOPE BETWEEN STRIPS AT 1'-6" MAXIMUM SPACING. SLOPE PROTECTION MAY BE POURED IN ALTERNATE 4' AND 5' STRIPS AS SHOWN IN THE "OPTIONAL POURING DETAIL" WITH ADJACENT RUNS OF WELDED WIRE FABRIC LAPPING AT LEAST 6". THE COST OF THE WELDED WIRE FABRIC AND #4 BARS, IF USED, SHALL BE INCLUDED IN THE CONTRACT UNIT PRICE BID PER SQUARE YARD FOR 4" SLOPE PROTECTION.

BRIDGE @ STA. 21+27.27 -Y2-	4 INCH SLOPE PROTECTION	* WELDED WIRE FABRIC 60 INCHES WIDE
	SQUARE YARDS	APPROX. L.F.
END BENT 1	295	531
END BENT 2	368	662
TOTAL	663	1193

\* QUANTITY SHOWN IS BASED ON 5' POURS.

PROJECT NO. U-2579C  
FORSYTH COUNTY  
 STATION: 21+27.27 -Y2-

SHEET 1 OF 2



STATE OF NORTH CAROLINA  
 DEPARTMENT OF TRANSPORTATION  
 RALEIGH  
 STANDARD  
 SLOPE PROTECTION  
 DETAILS

ASSEMBLED BY : H. T. BARBOUR	DATE : 1-23-17
CHECKED BY : T. L. AVERETTE	DATE : 2-21-17
DRAWN BY : ELR 5/92	REV. 10/1/11 MAA/GM
CHECKED BY : GRP 6/92	REV. 12/21/11 MAA/GM
	REV. 1/16 MAA/TMG

DOCUMENT NOT CONSIDERED  
 FINAL UNLESS ALL  
 SIGNATURES COMPLETED

REVISIONS						SHEET NO.	
NO.	BY:	DATE:	NO.	BY:	DATE:	S2-28	
1			3			TOTAL SHEETS 30	
2			4				