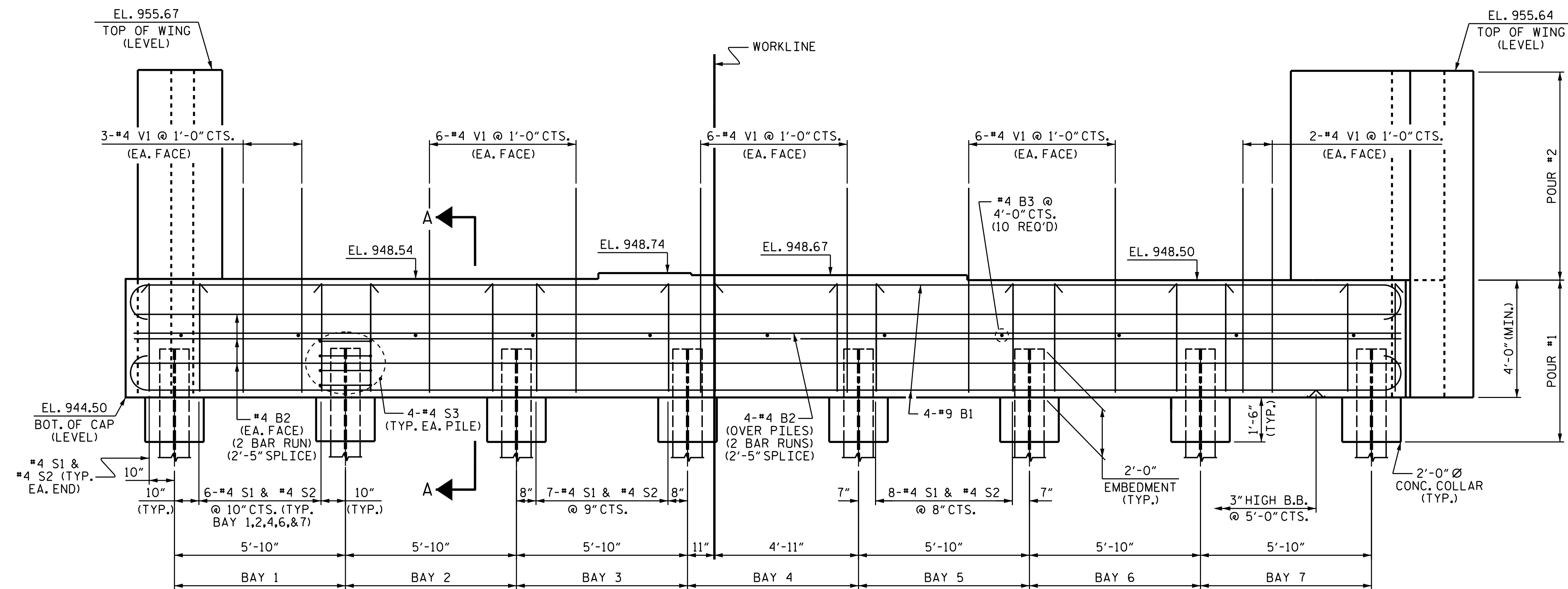


PLAN



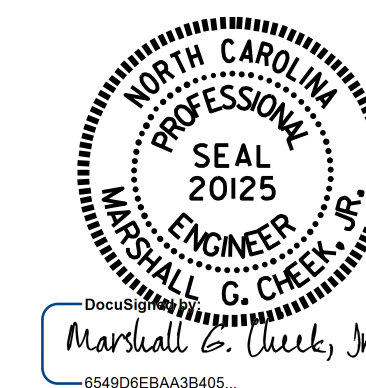
ELEVATION

NOTES

THE TOP SURFACE OF THE END BENT CAP, EXCEPT THE BEARING AREA, SHALL BE RAKED TO A DEPTH OF 1/4".

PROJECT NO. U-2579C
 FORSYTH COUNTY
 STATION: 21+27.27 -Y2-

SHEET 1 OF 2



STATE OF NORTH CAROLINA
 DEPARTMENT OF TRANSPORTATION
 RALEIGH
 SUBSTRUCTURE
 INTEGRAL
 END BENT 2

DRAWN BY: J. K. BOWLES DATE: 5/10/16
 CHECKED BY: K. D. LAYNE DATE: 7/21/16
 DESIGN ENGINEER OF RECORD: J. K. BOWLES DATE: 7/21/16

DOCUMENT NOT CONSIDERED
 FINAL UNLESS ALL
 SIGNATURES COMPLETED

REVISIONS						SHEET NO.	
NO.	BY:	DATE:	NO.	BY:	DATE:	S2-26	
1			3			TOTAL SHEETS 30	
2			4				