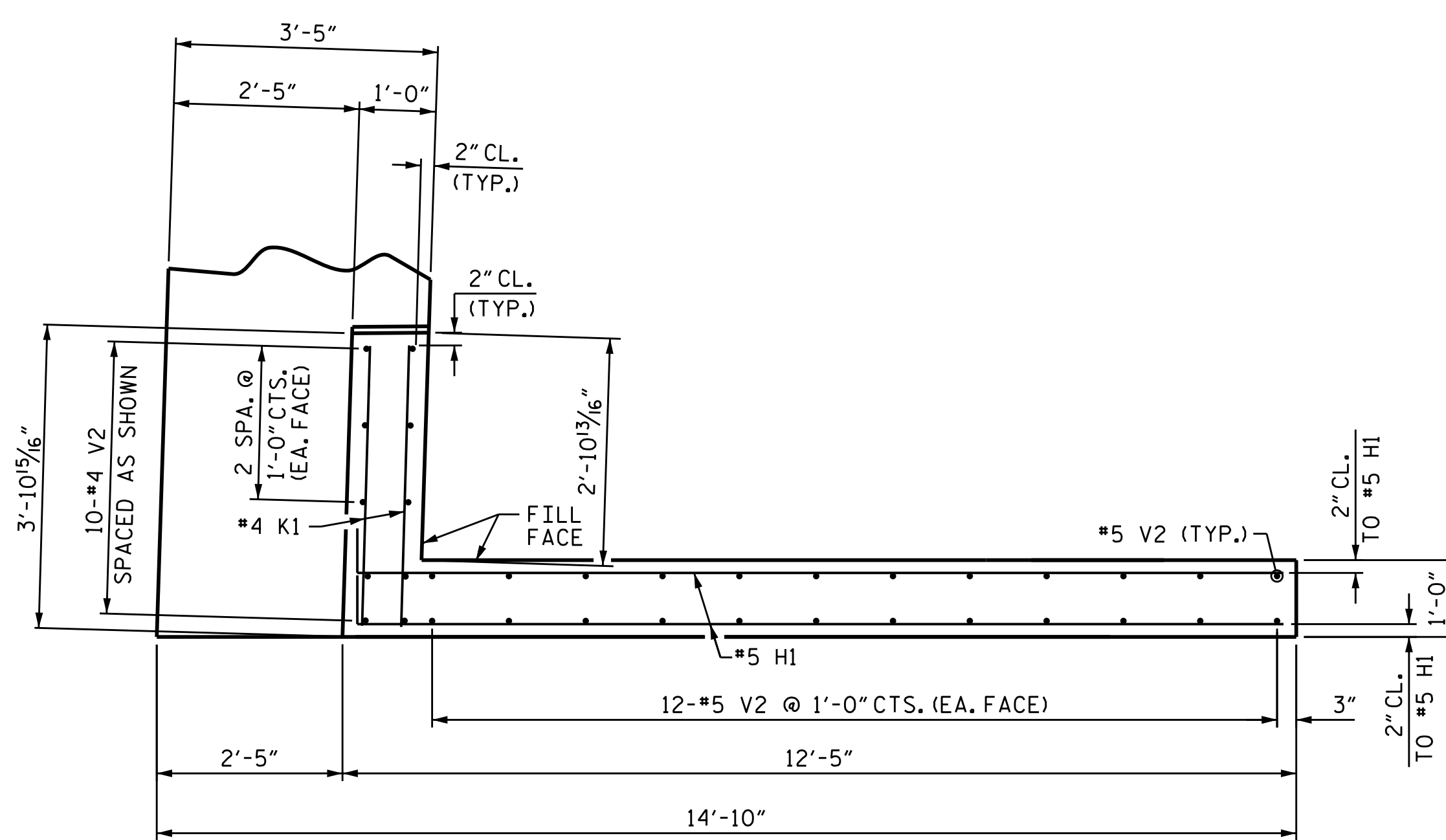
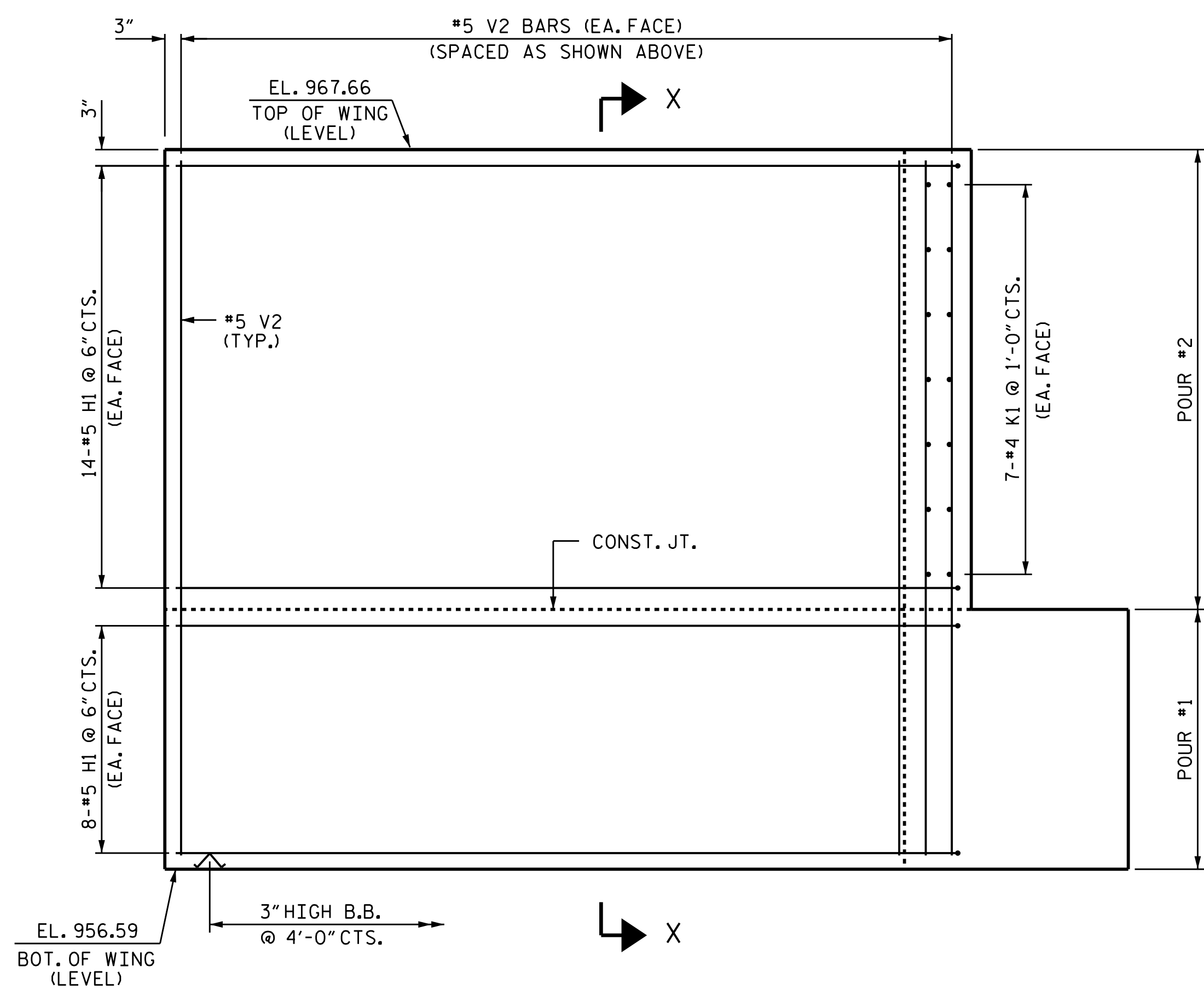


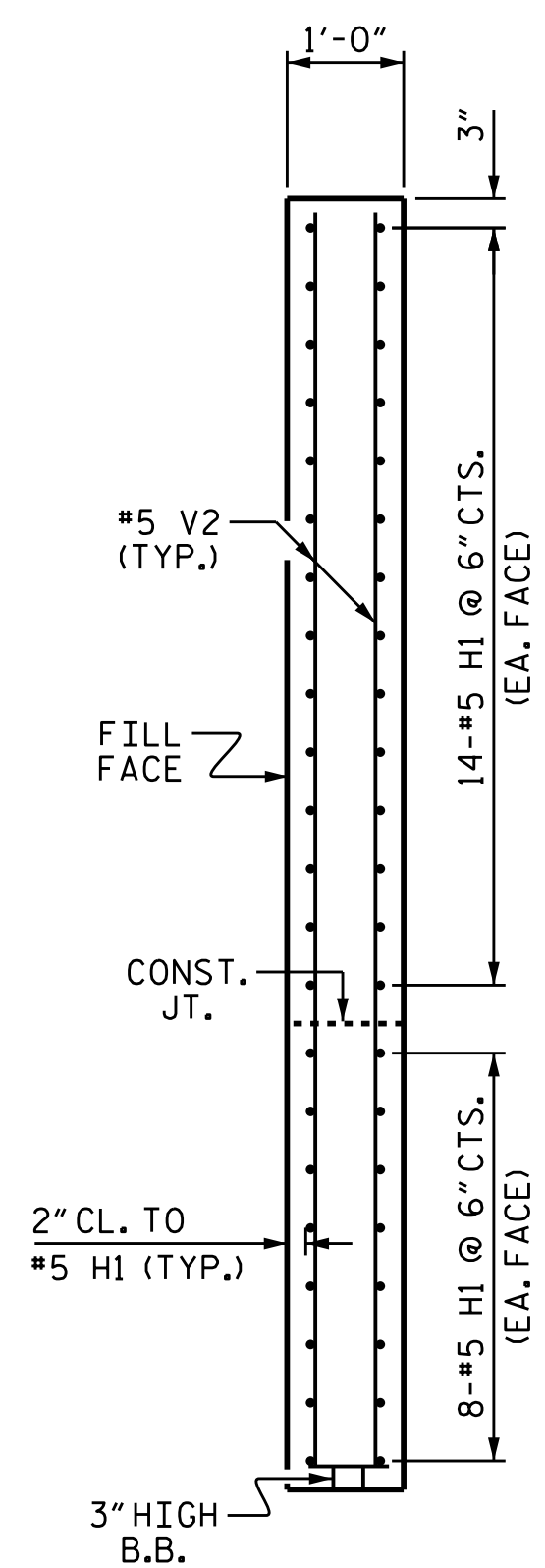
PLAN OF LEFT WING



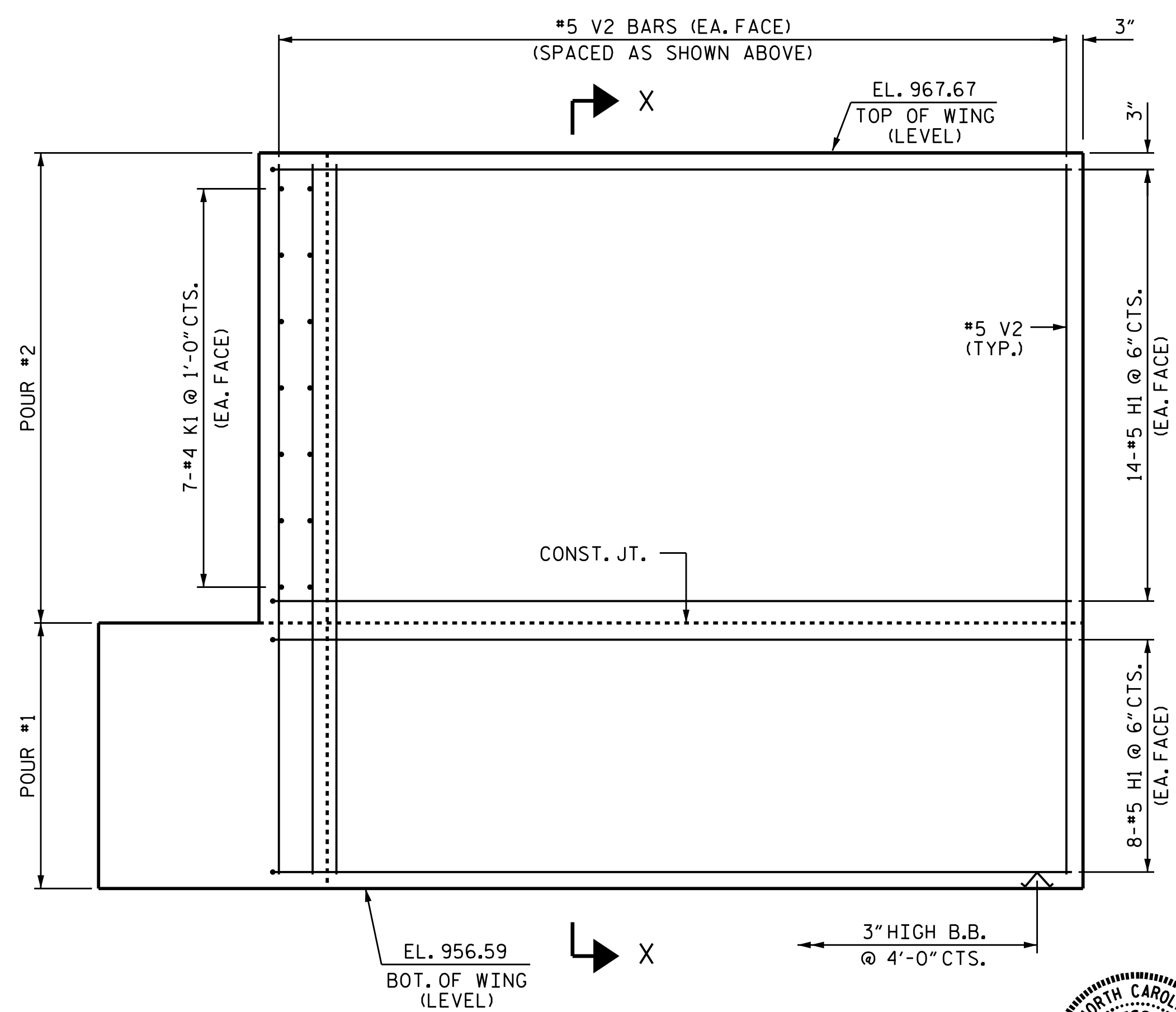
PLAN OF RIGHT WING



ELEVATION OF LEFT WING



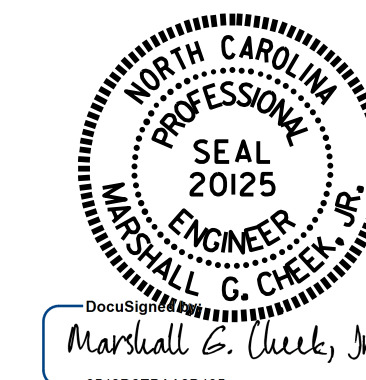
SECTION X-X



ELEVATION OF RIGHT WING

PROJECT NO. U-2579C
FORSYTH COUNTY
 STATION: 29+24.97 -Y1-

SHEET 2 OF 3



STATE OF NORTH CAROLINA
 DEPARTMENT OF TRANSPORTATION
 RALEIGH
 SUBSTRUCTURE
 INTEGRAL
 END BENT 2

DRAWN BY : N.D. AIUTO DATE : 4/6/16
 CHECKED BY : K.D. LAYNE DATE : 4/14/16
 DESIGN ENGINEER OF RECORD : H.A. LOCKLEAR DATE : 6/2017

DOCUMENT NOT CONSIDERED
 FINAL UNLESS ALL
 SIGNATURES COMPLETED

REVISIONS						SHEET NO.	
NO.	BY:	DATE:	NO.	BY:	DATE:	TOTAL SHEETS	
1			3			1	27
2			4			32	