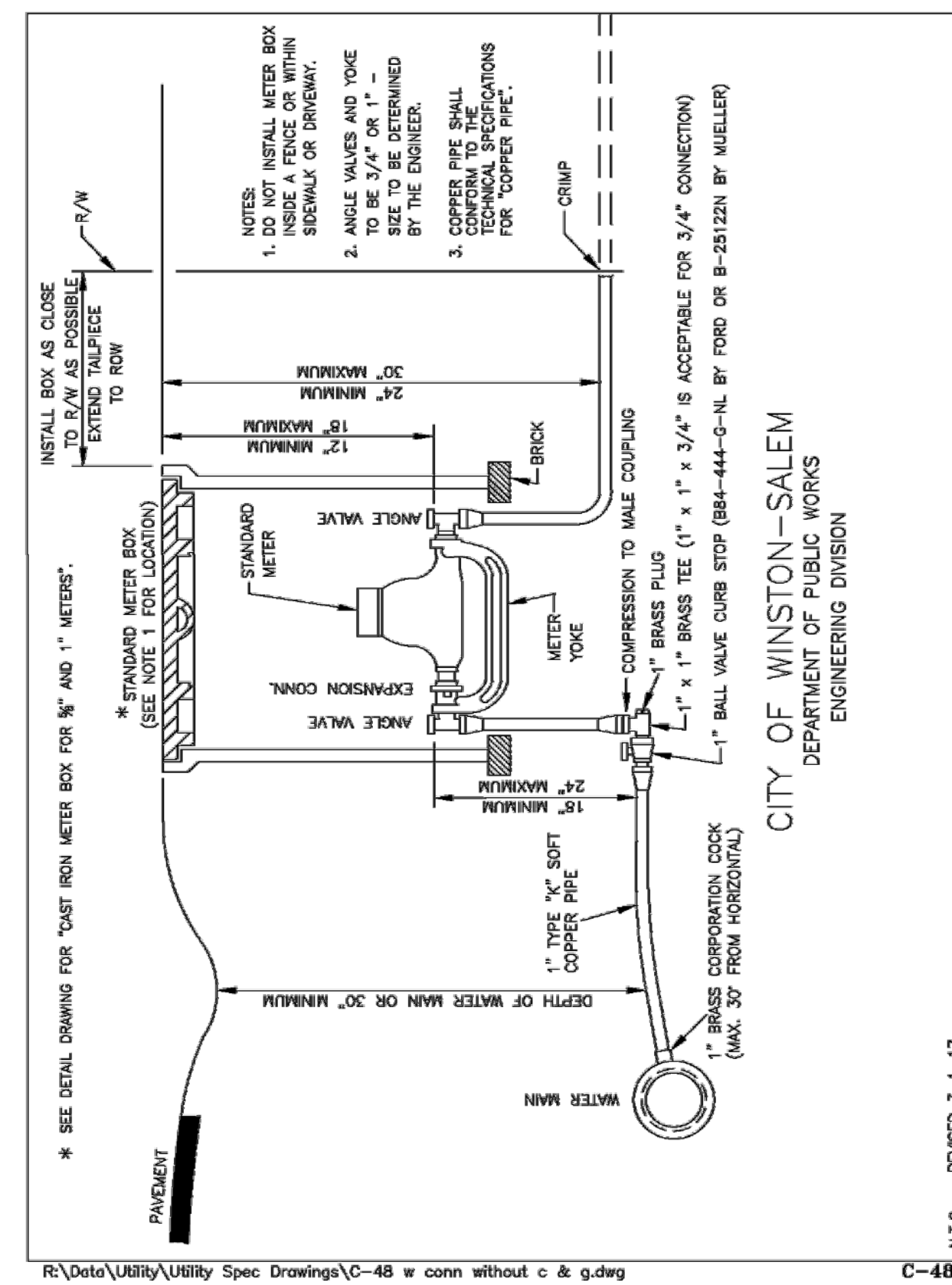
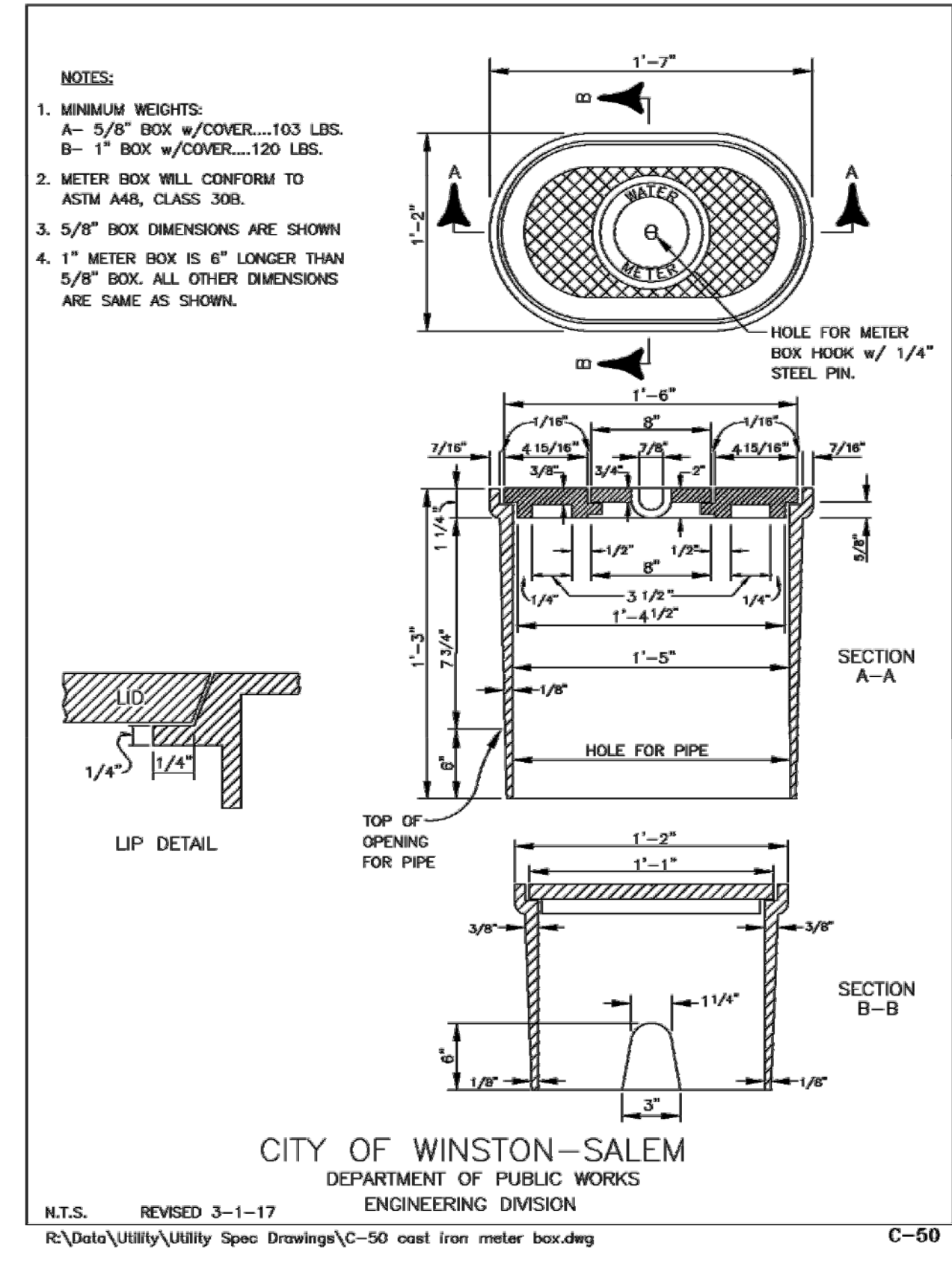


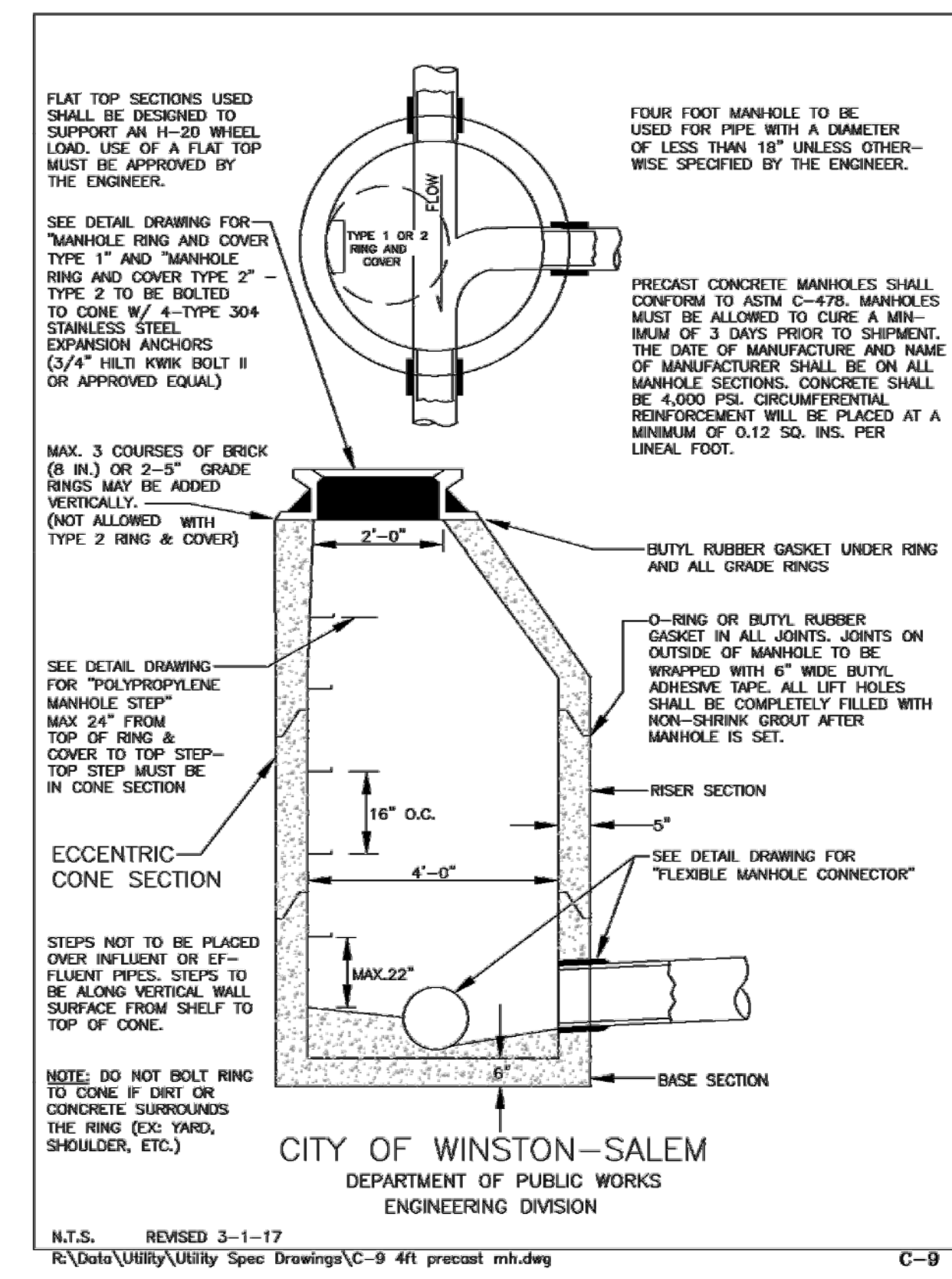
3/4" and 1" Water Connection (Without Curb & Gutter / Single Family)



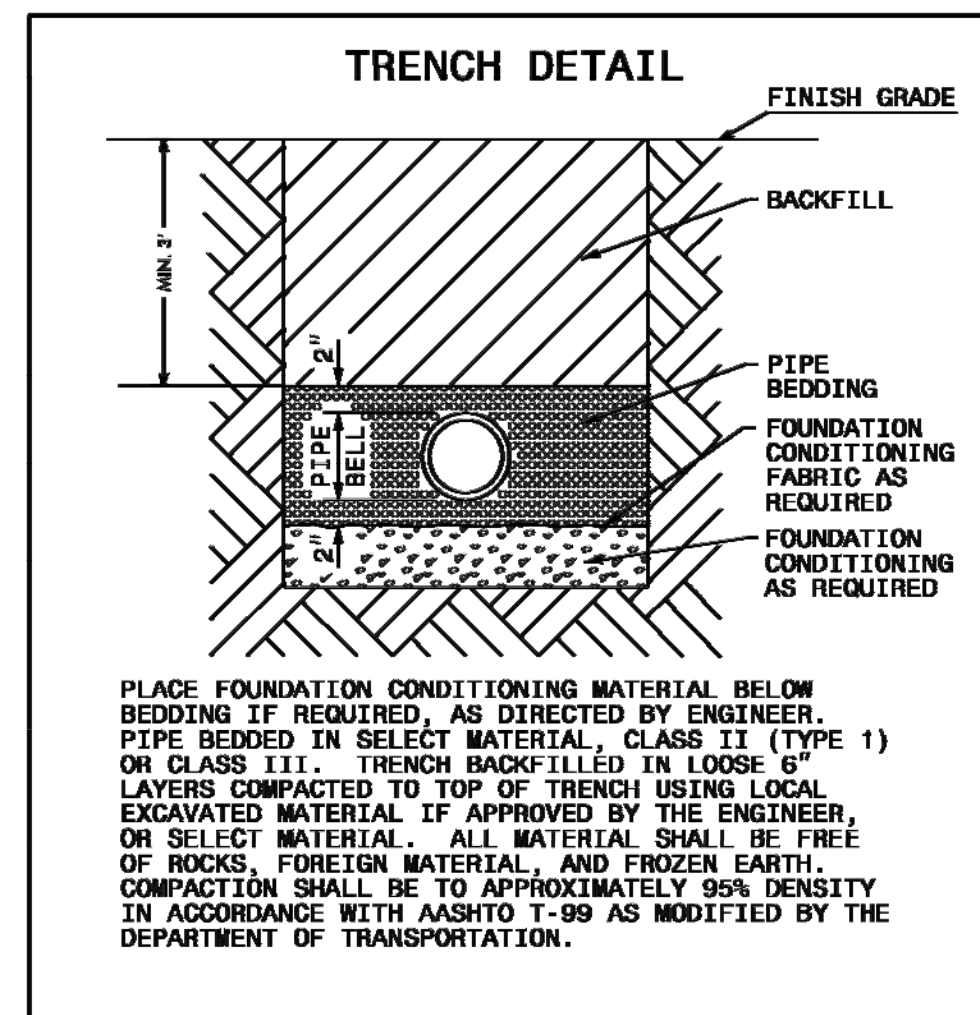
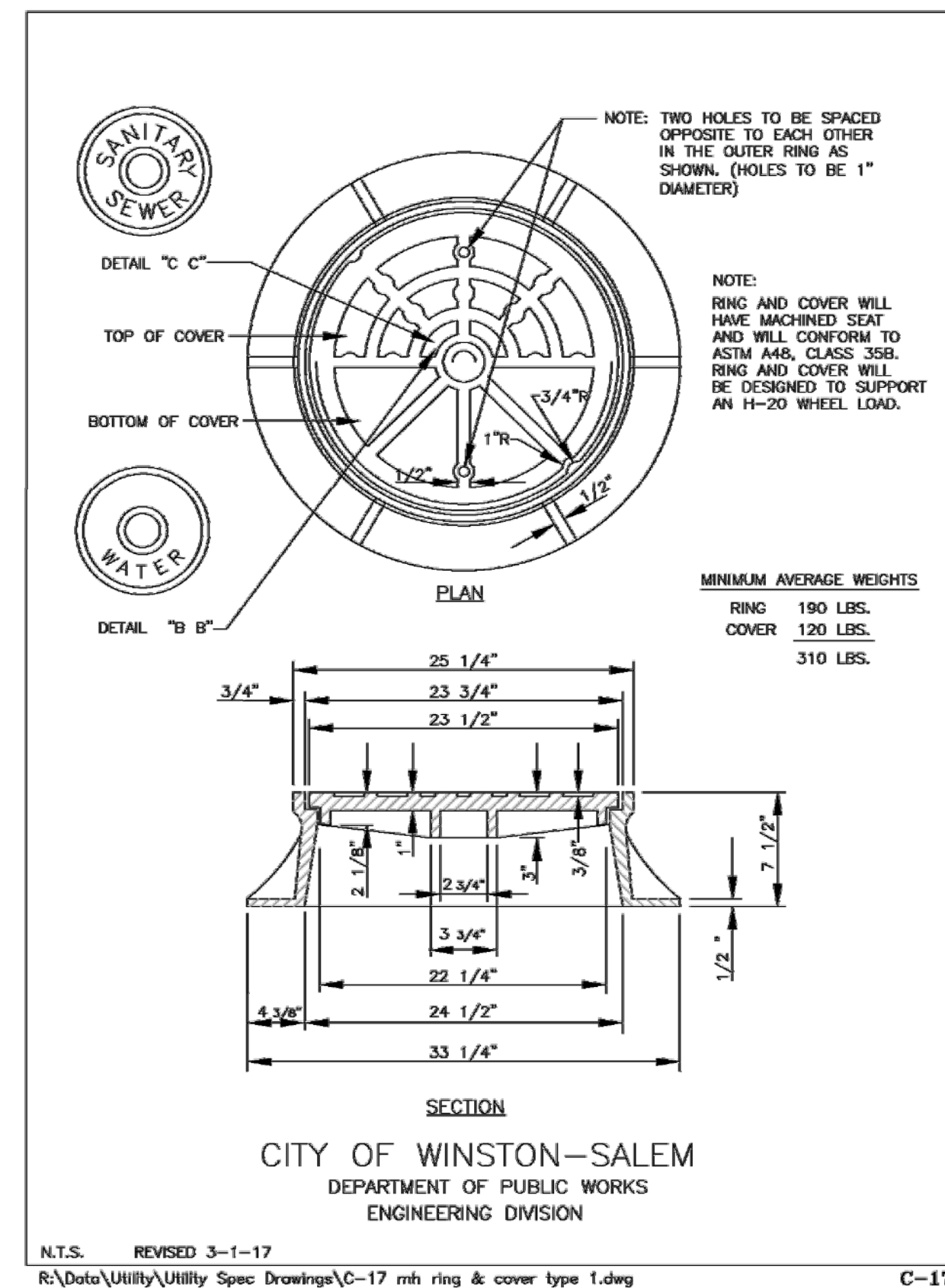
Cast Iron Meter Box for 5/8" and 1" Meters



4' Precast Reinforced Concrete Manhole



Manhole Ring and Cover (Type 1)



MAXIMUM TRENCH WIDTH AT TOP OF PIPE

NOMINAL PIPE SIZE (INCHES)	TRENCH WIDTH (INCHES)	NOMINAL PIPE SIZE (INCHES)	TRENCH WIDTH (INCHES)
4	28	20	44
6	30	24	48
8	32	30	54
10	34	36	60
12	36	42	66
14	38	48	72
16	40	54	78
18	42		

REVISIONS

8/17/99

SYNOPSIS OF REVISIONS