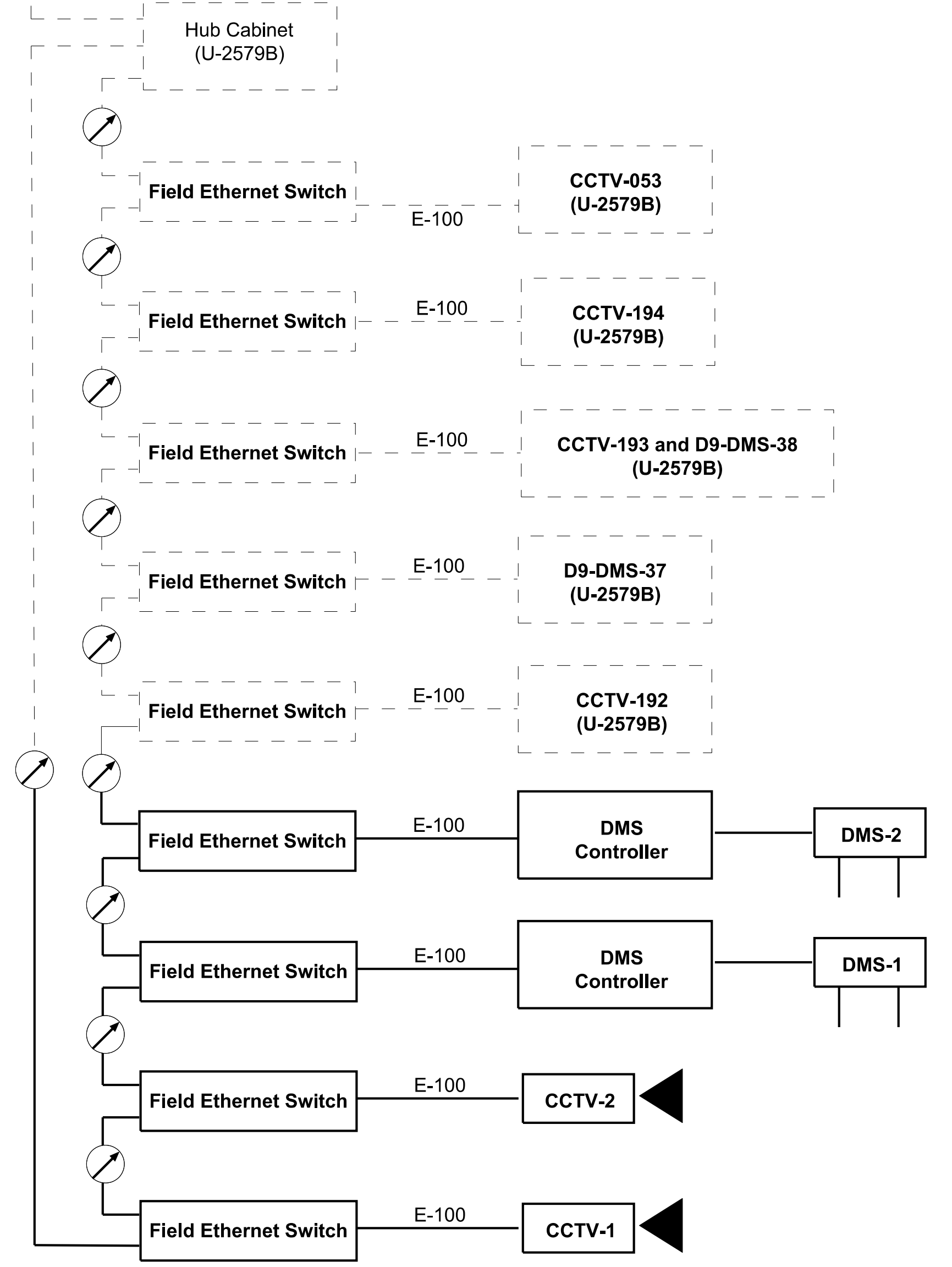


Triad Regional Transportation Center (TRTMC)



LEGEND

- = New Device
- = Existing Device
- = New Communications
- = Existing Communications
- E-100 = Ethernet
- RS-232 = Serial Data
- NTSC = Video

5/1/2017 K:\ARL\TPTD\ITS\01036384 - U-2579C ITS\Plans\U2579c_ITS_psh3.dgn

Kimley»Horn
 NC License #F-0102
 421 Fayetteville St., Suite 600
 Raleigh, NC 27636
 Tel: (919) 677-2000
 Fax: (919) 677-2050

	WINSTON-SALEN NORTHERN BELTWAY ITS DEVICE AND COMMUNICATIONS BLOCK DIAGRAM		SEAL 								
	DIVISION 09 FORSYTH COUNTY PLAN DATE: MAY 2017 REVIEWED BY: I. VAN OSDELL PREPARED BY: J. CROSS REVIEWED BY: K. SMITH										
SCALE 	REVISIONS <table border="1"> <tr> <th>NO.</th> <th>DESCRIPTION</th> <th>INIT.</th> <th>DATE</th> </tr> <tr> <td> </td> <td> </td> <td> </td> <td> </td> </tr> </table>	NO.	DESCRIPTION	INIT.	DATE					SIGNATURE 	DATE 5/3/2017
NO.	DESCRIPTION	INIT.	DATE								