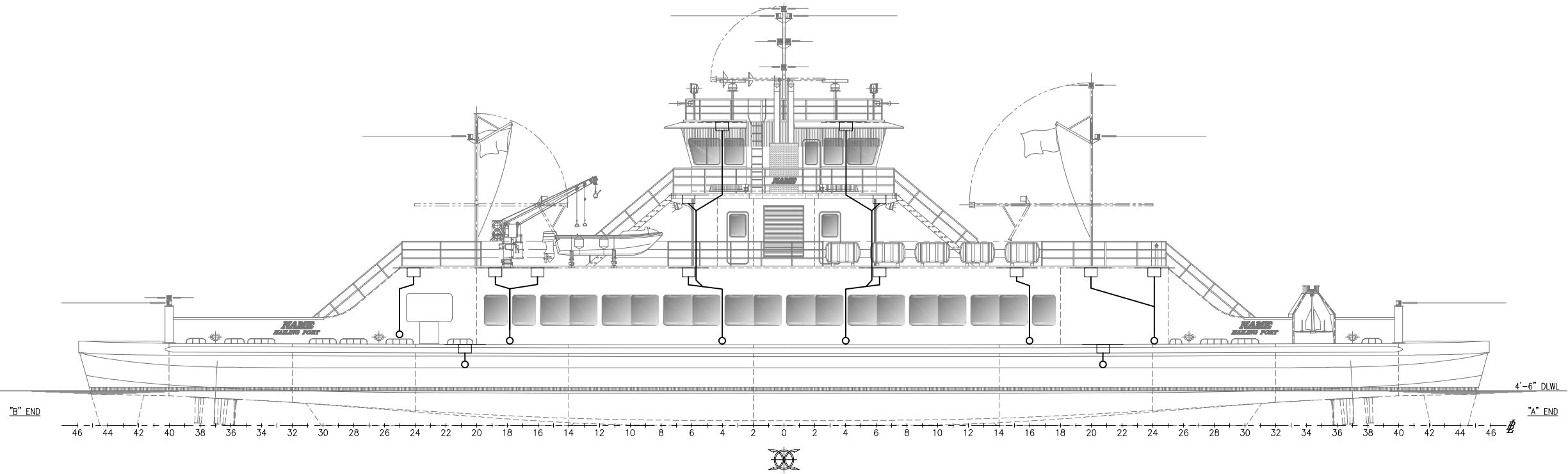


CONFIDENTIAL AND PROPRIETARY PROPERTY OF
EBDG - NC, PLLC
 MAY NOT BE USED FOR CONSTRUCTION OR PROVIDED TO
 ANY THIRD PARTIES WITHOUT PRIOR WRITTEN CONSENT.
 © 2017 ELLIOTT BAY DESIGN GROUP.

SERVICE	PIPING		TAKEDOWN JOINTS		VALVES		FITTINGS	FLEX CONNECTIONS	REMARKS	
	SIZE	MATERIAL	MATERIAL	GASKETS	BOLTING	BODY				TRIM
WEATHER DECK DRAIN SYSTEM MAWP: 10 PSIG MAX TEMP: AMBIENT	ALL	STAINLESS STEEL ASTM A312, GRADE TP 316L SEAMLESS ANSI B36.19 SCH 10S	PRESS-FIT STAINLESS STEEL ASTM A351, A743 AND A744, GRADE CF8M TP 316 SCH 10S HNBR SEALS	-	-	-	-	PRESS-FIT STAINLESS STEEL ASTM A351, A743 AND A744, GRADE CF8M TP 316 SCH 10S HNBR SEALS	-	-

SYMBOL LIST	
—	PIPE
○	PIPE UP
⊖	PIPE DOWN
●	VERTICAL PIPE - EXTENDS UP & DOWN
⊠	DECK DRAIN
⊥	DECK DRAIN
⊓	OVERBOARD DISCHARGE



ELEVATION 2-4A
 OUTBOARD PROFILE

REVISION HISTORY

REV	ZONE	DESCRIPTION	DWN	DATE	APVD

GENERAL NOTES

- VESSEL TO BE CONSTRUCTED IN ACCORDANCE WITH 46 CFR SUBCHAPTER H REGULATIONS.
- THIS DRAWING IS DIAGRAMMATIC AND DOES NOT REPRESENT A COMPLETE DETAILED DESIGN. EQUIPMENT LAYOUT IN A GIVEN AREA IS APPROXIMATE. THE CONTRACTOR SHALL DEVELOP A DETAILED DESIGN THAT PROVIDES A FULLY FUNCTIONAL ARRANGEMENT SUITABLE FOR INSTALLATION, TAKING INTO ACCOUNT ALL NECESSARY SYSTEM INTERFACES AND INTERFERENCES. DIMENSIONS SHALL BE VERIFIED FROM THE SHIP AND MANUFACTURER'S CERTIFIED DRAWINGS AS APPROPRIATE.
- PIPING SHALL BE RUN AS DIRECTLY AS PRACTICABLE WITH A MINIMUM NUMBER OF BENDS AND FITTINGS. PIPE SPOOLS SHALL BE SIZED AND ARRANGED TO PROVIDE FOR REMOVAL, INSPECTION, SERVICING, AND REPLACEMENT OF PIPING, VALVES, FITTINGS, AND EQUIPMENT WITHOUT CUTTING STRUCTURE OR PIPING.
- PIPING SHALL BE ADEQUATELY SUPPORTED BY HANGERS IN ACCORDANCE WITH ASTM F708. HANGERS SHALL BE ATTACHED TO THE PIPE WITH BOLTED CLAMPS AND WELDED TO BASIC SHIP STRUCTURE. HANGERS SHALL NOT BE WELDED DIRECTLY TO PIPES. ALL COPPER-NICKEL PIPING SHALL BE SUPPORTED USING INSULATED HANGERS.
- ALL DRAIN PIPING SHALL BE LED AS DIRECTLY AS PRACTICABLE AND PITCHED NOT LESS THAN 1/8 INCH PER FOOT LONGITUDINALLY OR 1/8 INCH PER FOOT TRANSVERSELY. PIPING SHALL BE PROVIDED WITH SUFFICIENT NUMBER OF ACCESSIBLE CLEANOUT CONNECTIONS, NOT LESS THAN 1 1/2" IPS, FOR CLEARING BY PLUMBER'S SNAKE, COMPRESSED AIR, OR WATER HOSE. CLEANOUT CONNECTIONS AND ACCESS PANELS SHALL BE FITTED FOR EACH DECK.
- WHERE POSSIBLE, DRAIN PIPES SHALL BE INSTALLED INSIDE THE LINE OF STRUCTURE SO AS TO MINIMIZE INTERFERENCE WITH JOINER SYSTEM, PASSAGEWAYS, ETC.
- WHERE PIPING PENETRATES BULKHEADS OR DECKS, USE AN APPROVED PENETRATION DETAIL, SEE DETAIL 3-1B.
- DRAIN ROUTING SHALL NOT OBSTRUCT WINDOWS.
- ALL DRAINS SHALL TERMINATE WELL ABOVE THE DESIGN LOAD WATERLINE. DRAINS LEADING FROM SUPERSTRUCTURE DECKS SHALL TERMINATE ABOVE THE MAIN DECK.
- CENTER TROUGH DRAIN IN FRONT OF DOOR OR STAIR. OFFSET CUTOUT THREE INCHES FROM DOOR OR STAIR EDGE.

REFERENCES

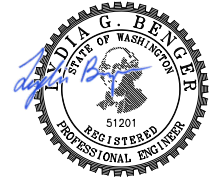
- 16101-200-832-1 TECHNICAL SPECIFICATION
- 16101-200-101-1 PROFILES AND DECK ARRANGEMENTS



Elliott Bay Design Group
 North Carolina, PLLC

CLIENT: NORTH CAROLINA D.O.T.
 RALEIGH, NORTH CAROLINA

PROJECT: NEW RIVER CLASS FERRY



DECK DRAIN PIPING SCHEMATIC

SIZE: D	DWG NO.: 16101-200-526-1	REV: -
SCALE: 1/8" = 1'-0"	FILE NAME: 16101-200-526-1-	SHEET 1 OF 3
DWN: MWR	MOD: -	APVD: LGB
CD: MEJ	APVD: LGB	APVD DATE: 7/28/17

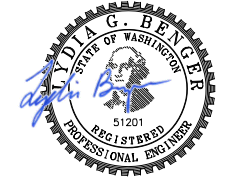
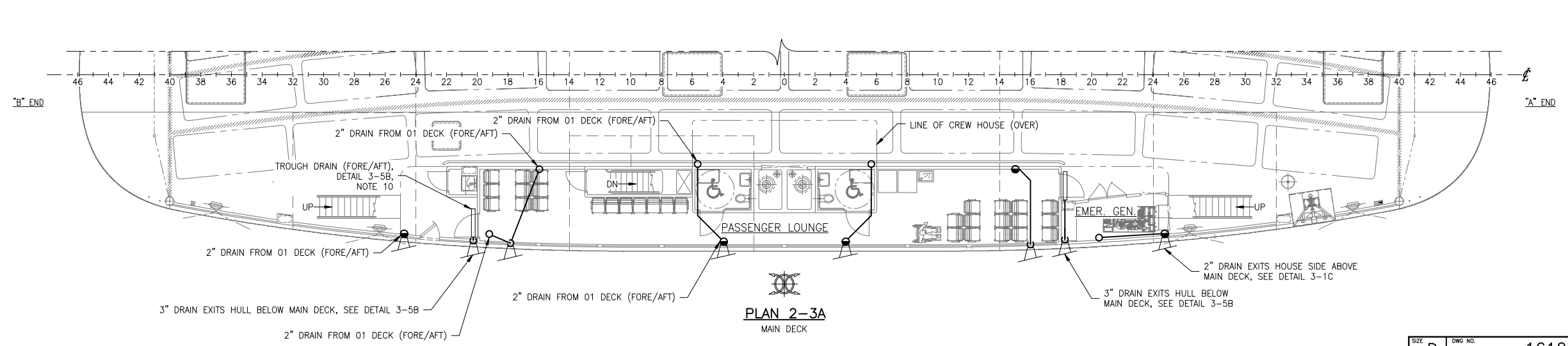
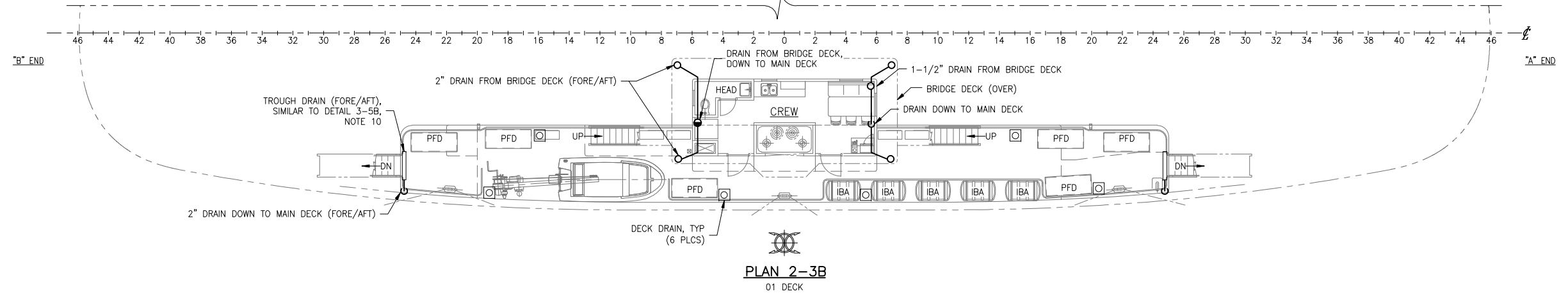
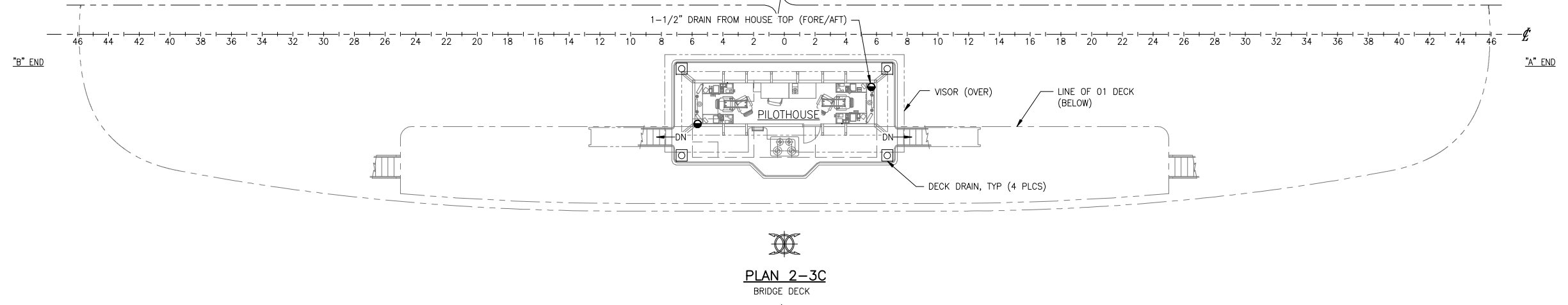
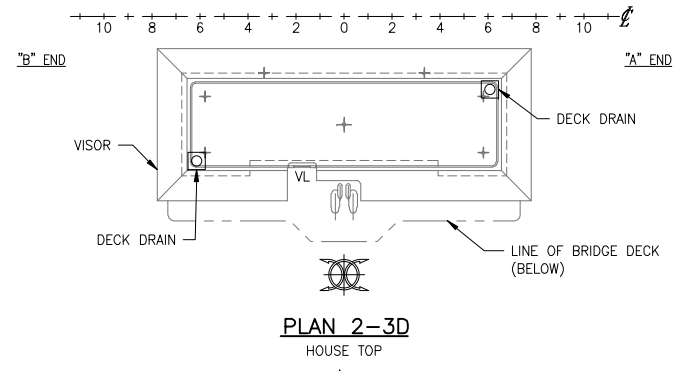
7/28/2017 11:56:37 AM

CONFIDENTIAL AND PROPRIETARY PROPERTY OF
EBDG - NC, PLLC
 MAY NOT BE USED FOR CONSTRUCTION OR PROVIDED TO
 ANY THIRD PARTIES WITHOUT PRIOR WRITTEN CONSENT.
 © 2017 ELLIOTT BAY DESIGN GROUP.

6 5 4 3 2 1

D
C
B
A

D
C
B
A

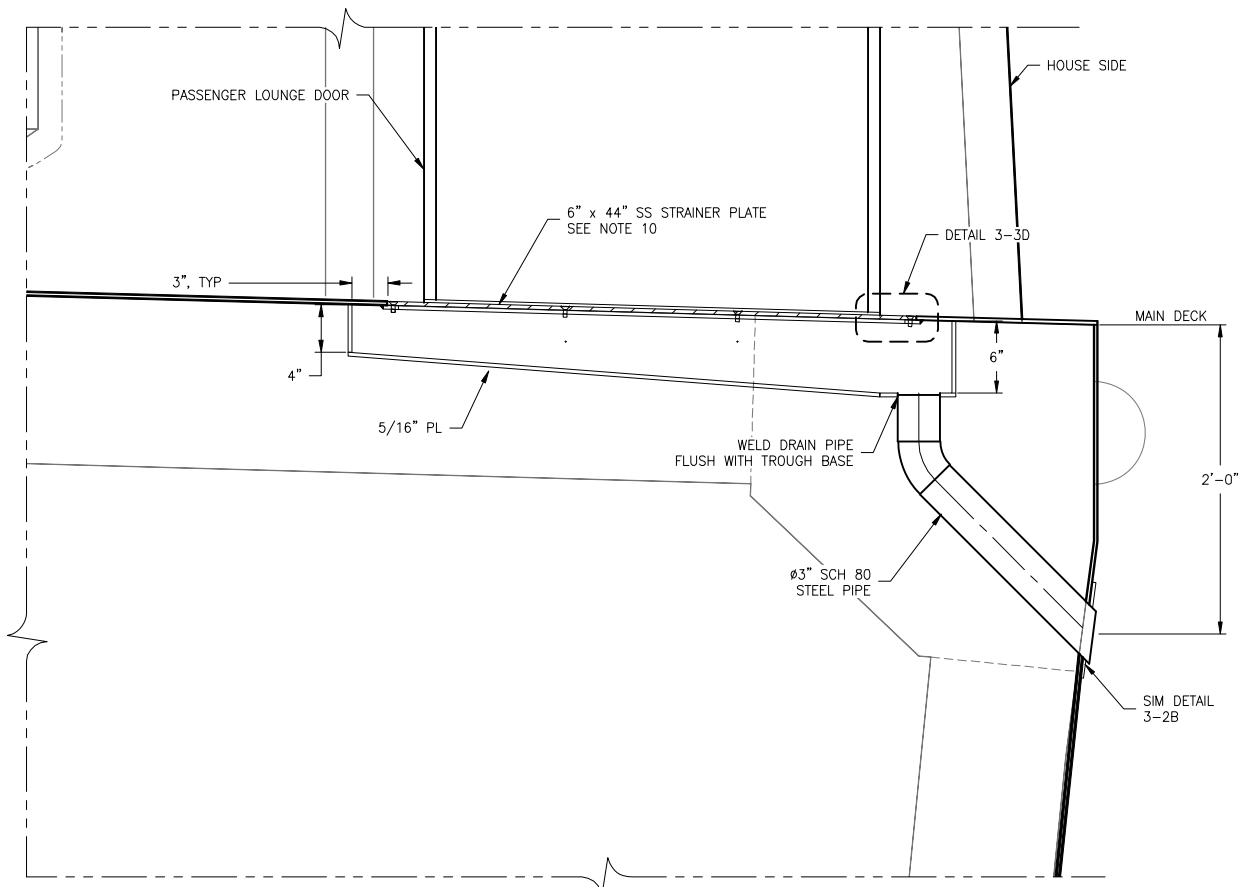


SIZE	D	DWG NO.	16101-200-526-1	REV	-
SCALE	1/8" = 1'-0"	FILE NAME	16101-200-526-1-	SHEET	2 OF 3

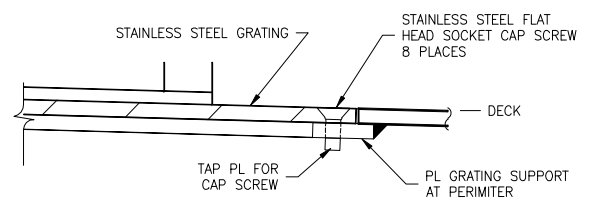
6 5 4 3 2 1

7/28/2017 11:56:46 AM

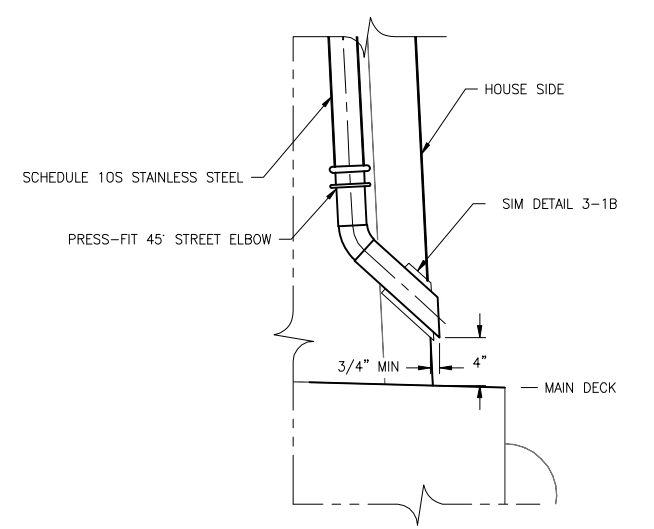
CONFIDENTIAL AND PROPRIETARY PROPERTY OF
EBDG - NC, PLLC
 MAY NOT BE USED FOR CONSTRUCTION OR PROVIDED TO
 ANY THIRD PARTIES WITHOUT PRIOR WRITTEN CONSENT.
 © 2017 ELLIOTT BAY DESIGN GROUP.



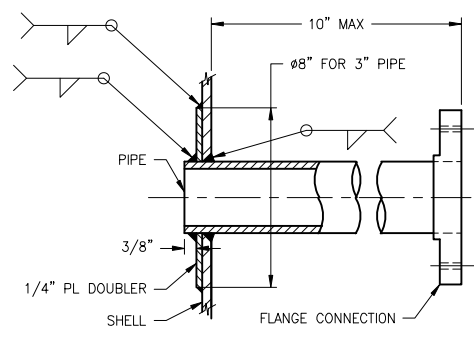
SECTION 3-5B
 TYP. TROUGH DRAIN DETAIL
 MAIN DECK SHOWN, 01 DECK SIMILAR
 SCALE: 1-1/2"=1'-0"



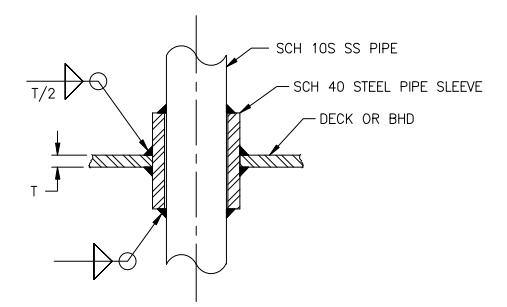
DETAIL 3-3D
 TYPICAL GRATING CLIP DETAIL
 SCALE: 6"=1'-0"



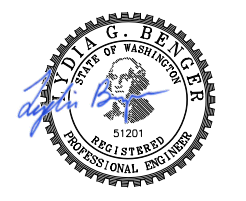
SECTION 3-1C
 TYP. DRAIN TERMINAL
 ABOVE MAIN DECK
 SCALE: 1-1/2"=1'-0"



DETAIL 3-2B
 OVERBOARD DISCHARGE
 SCALE: NONE



DETAIL 3-1B
 TYP. DECK/BHD PENETRATION
 SCALE: NONE



SIZE	D	DWG NO.	16101-200-526-1	REV	-
SCALE	AS NOTED	FILE NAME	16101-200-526-1-	SHEET	3 OF 3

7/28/2017 11:55:06 AM