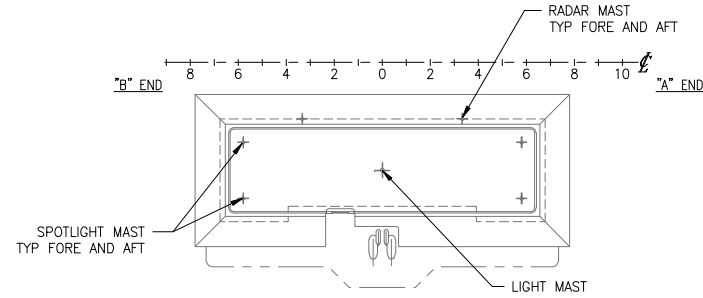


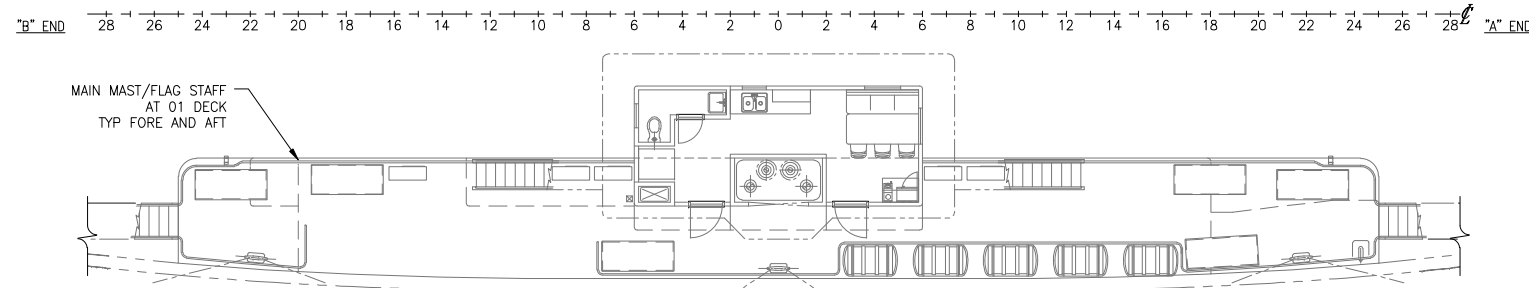
CONFIDENTIAL AND PROPRIETARY PROPERTY OF  
**EBDG - NC, PLLC**  
 MAY NOT BE USED FOR CONSTRUCTION OR PROVIDED TO  
 ANY THIRD PARTIES WITHOUT PRIOR WRITTEN CONSENT.  
 © 2017 ELLIOTT BAY DESIGN GROUP.

REVISION HISTORY

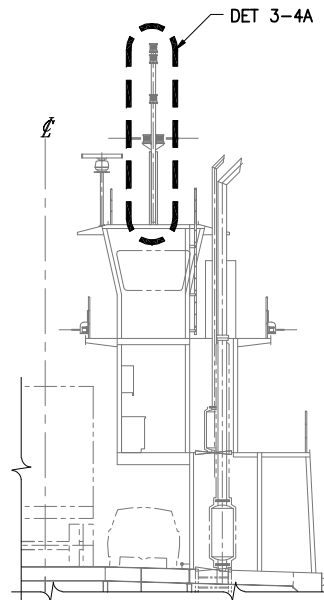
REV	ZONE	DESCRIPTION	DWN	DATE	APVD
A	1-3B 1-5B 2-2B 3-3B	1. UPDATED PE STAMP FOR REV A. 2. UPDATED LOCATION OF MAIN MASTS TO FR 23.	DKG	08/31/17	KAJ



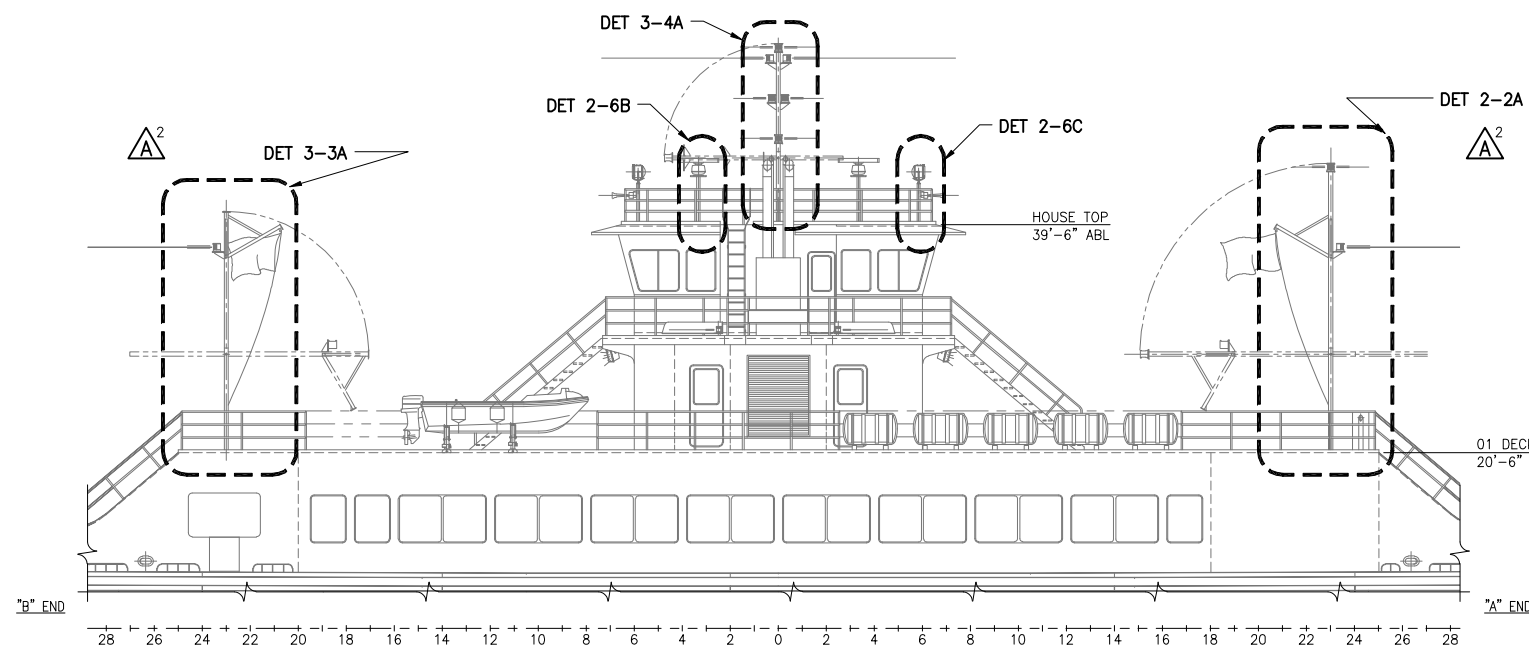
PLAN 1-4D  
PILOT HOUSE TOP



PLAN 1-4B  
01 DECK

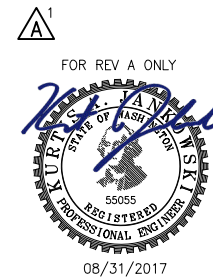


SECTION 1-6A  
MIDSHIP LOOKING FORWARD



ELEVATION 1-4A  
OUTBOARD PROFILE

STAMP  
 PROFESSIONAL ENGINEER  
 STAMP PER:  
 REV: -  
 ENGR: PATRICK D. FAAS  
 DATED: 07/27/2017  
 STATE: WA  
 REG NO: 49313



GENERAL NOTES

- VESSEL TO BE CONSTRUCTED IN ACCORDANCE WITH 46 CFR SUBCHAPTER H REGULATIONS.
- FRAME SPACING IS 24" UNLESS NOTED OTHERWISE.
- CONTRACTOR SHALL VERIFY STRUCTURE AND FOUNDATIONS FOR ALL MASTS PRIOR TO CONSTRUCTION. SEE REFERENCE 1.

REFERENCES

- 16101-200-832-1 TECHNICAL SPECIFICATION
- 16101-200-061-1 SCANTLING CALCULATIONS
- 16101-200-101-1 PROFILES AND DECK ARRANGEMENTS
- 16101-200-120-1 MIDSHIP SECTION
- 16101-200-150-1 SUPERSTRUCTURE MAIN DECK TO 01 DECK
- 16101-200-150-2 SUPERSTRUCTURE 01 DECK TO PILOT HOUSE TOP
- 16101-200-422-1 NAVIGATION LIGHT ARR AND BLOCK DIAGRAM



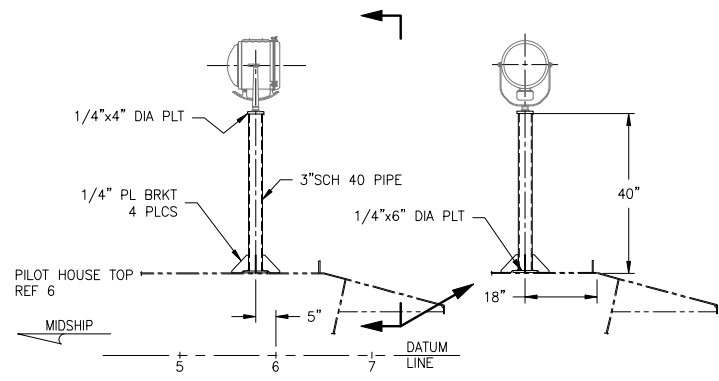
**Elliott Bay Design Group**  
 North Carolina, PLLC

CLIENT: NORTH CAROLINA D.O.T.  
 RALEIGH, NORTH CAROLINA  
 PROJECT: NEW RIVER CLASS FERRY

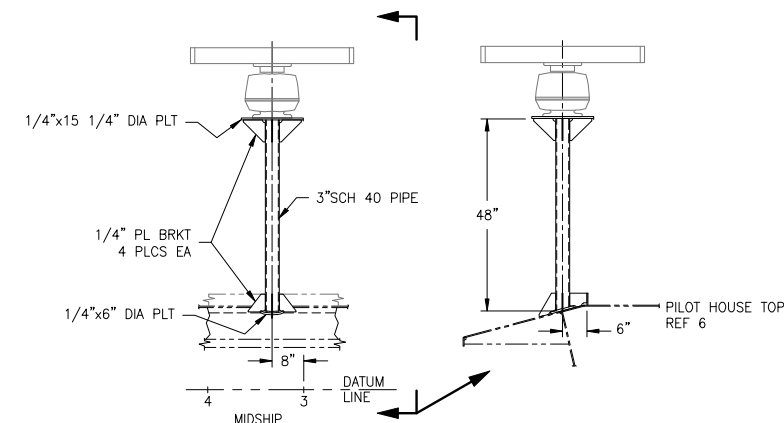
MASTS

SIZE	D	DWG NO.	16101-200-170-1	REV	A
SCALE	1/8"=1'-0"	FILE NAME	16101-200-170-1A	SHEET	1 OF 3
DWN	ZDL	MOD	WHL	CKD	PDF
APVD	KAJ	APVD DATE	7/27/2017		

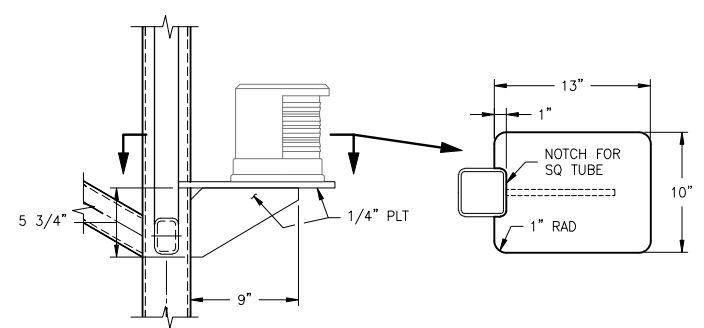
CONFIDENTIAL AND PROPRIETARY PROPERTY OF  
**EBDG - INC, PLLC**  
 MAY NOT BE USED FOR CONSTRUCTION OR PROVIDED TO  
 ANY THIRD PARTIES WITHOUT PRIOR WRITTEN CONSENT.  
 © 2017 ELLIOTT BAY DESIGN GROUP.



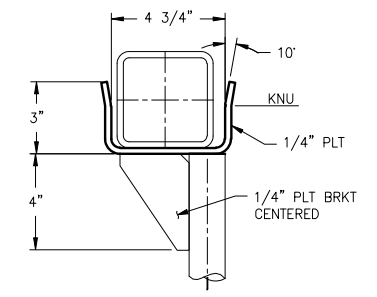
**DETAIL 2-6C**  
 SPOTLIGHT MAST  
 'A' END SHOWN, 'B' END SIM, OPP  
 4 REQUIRED, 2 AT EACH END



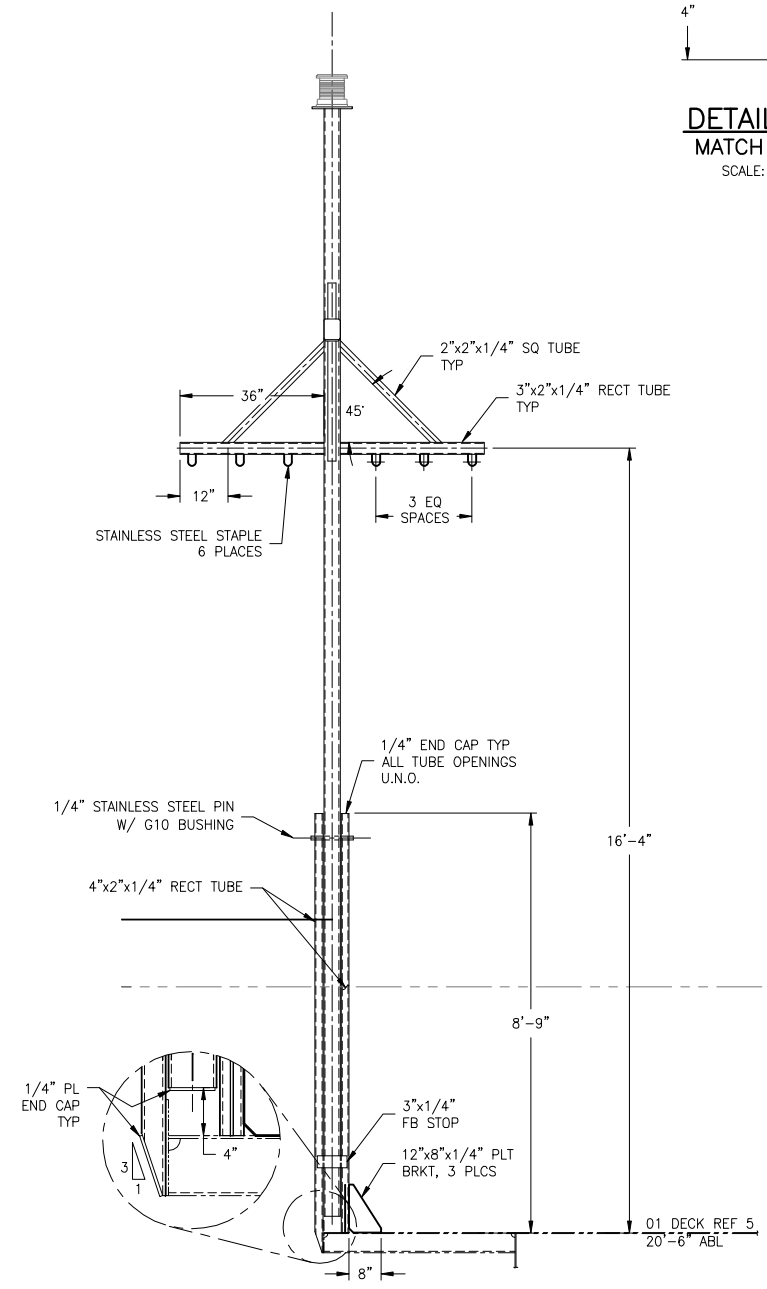
**DETAIL 2-6B**  
 RADAR MAST  
 'B' END SHOWN, 'A' END SIM, OPP  
 2 REQUIRED, 1 AT EACH END



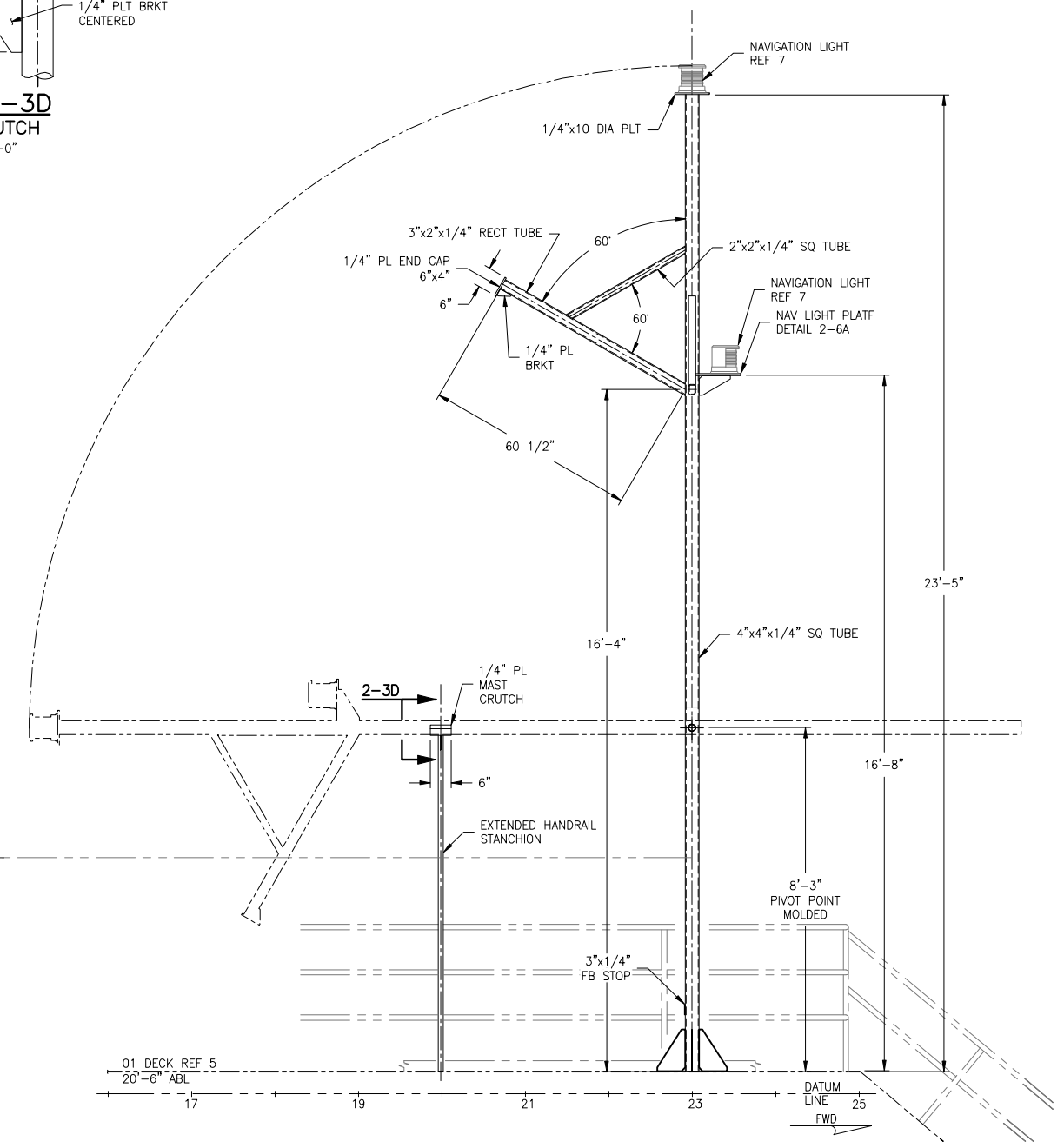
**DETAIL 2-6A**  
 TYP NAV LIGHT PLATF  
 SCALE: 1 1/4"=1'-0"



**DETAIL 2-3D**  
 MATCH CRUTCH  
 SCALE: 3"=1'-0"

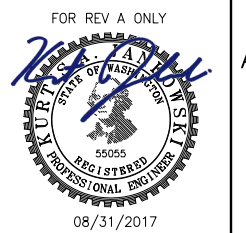


**SECTION 2-4A**  
 FRAME 23 LKG FWD



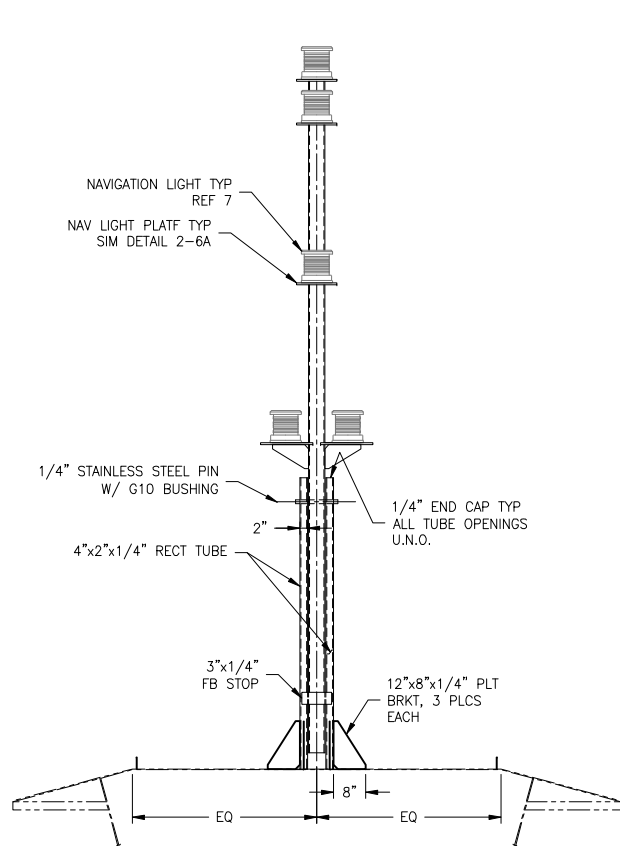
**ELEVATION 2-2A**  
 MAIN MAST  
 'A' END LKG PORT

STAMP  
 PROFESSIONAL ENGINEER  
 STAMP PER:  
 REV: -  
 ENGR: PATRICK D. FAAS  
 DATED: 07/27/2017  
 STATE: WA  
 REG NO: 49313

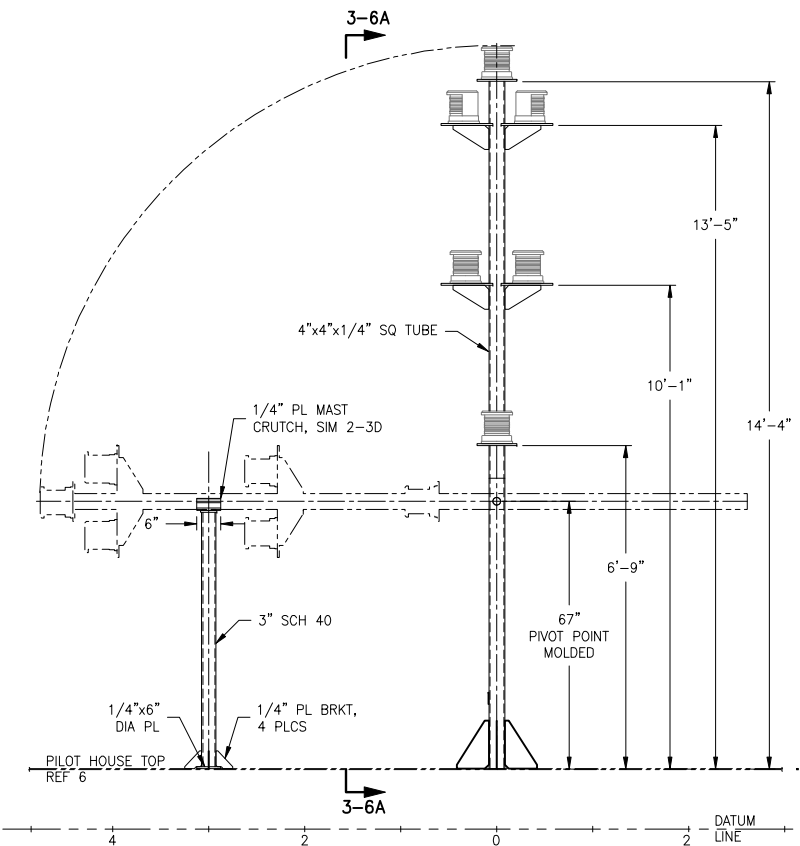


SIZE	D	DWG NO.	16101-200-170-1	REV	A
SCALE	1/2"=1'-0" U.N.O.	FILE NAME	16101-200-170-1A	SHEET	2 OF 3

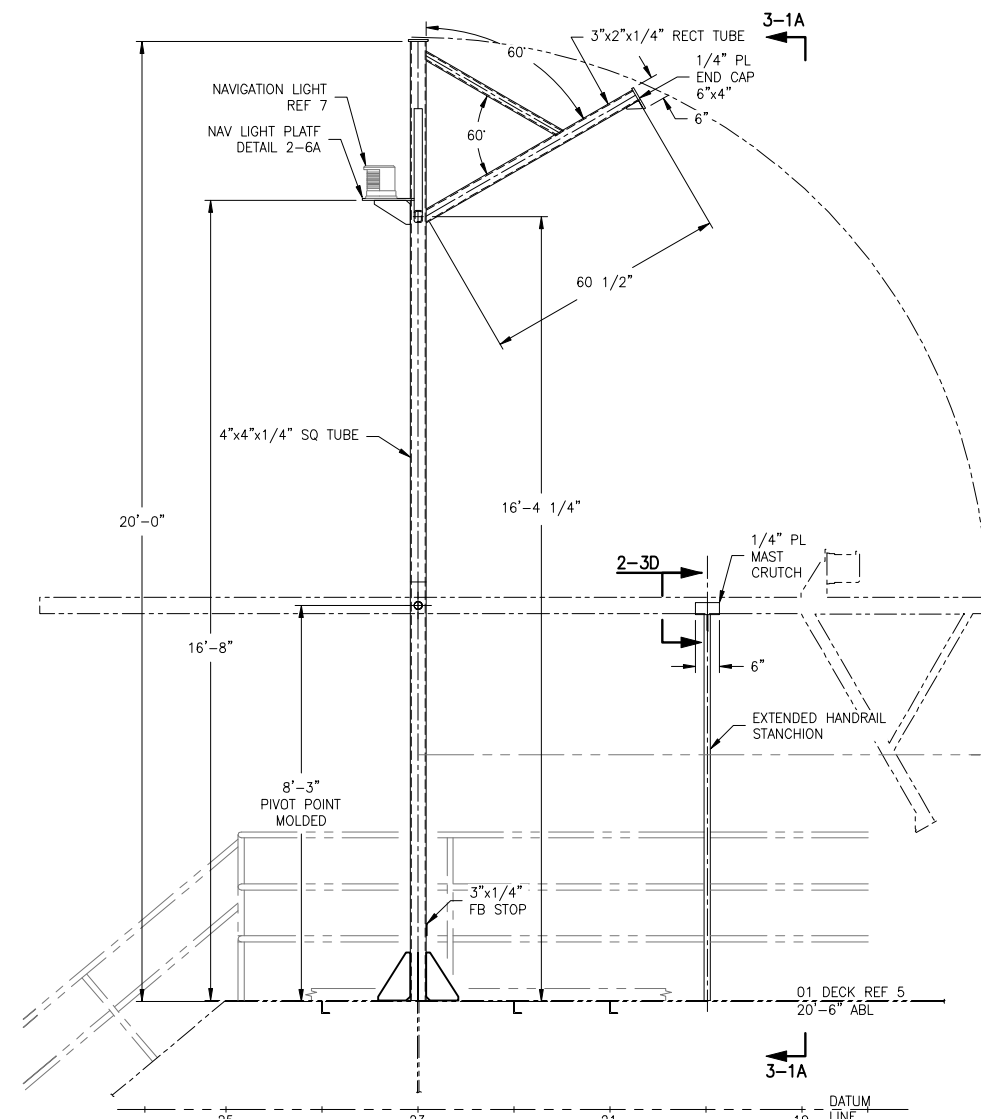
CONFIDENTIAL AND PROPRIETARY PROPERTY OF  
**EBDG - NC, PLLC**  
 MAY NOT BE USED FOR CONSTRUCTION OR PROVIDED TO  
 ANY THIRD PARTIES WITHOUT PRIOR WRITTEN CONSENT.  
 © 2017 ELLIOTT BAY DESIGN GROUP.



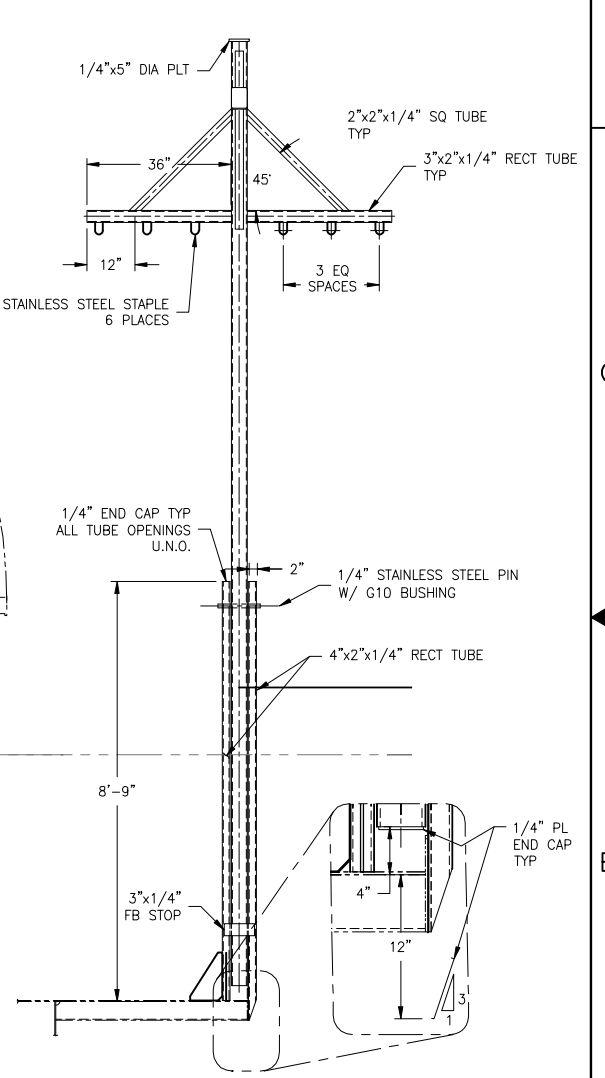
**SECTION 3-6A**  
 FRAME 0, LKG FWD



**ELEVATION 3-4A**  
 LIGHT MAST  
 MIDSHIP

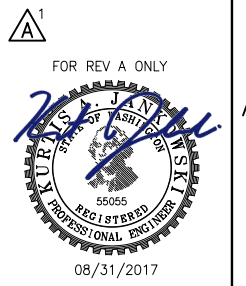


**ELEVATION 3-3A**  
 MAIN MAST  
 'B' END LKG PORT



**SECTION 3-1A**  
 FRAME 23 LKG AFT

STAMP  
 PROFESSIONAL ENGINEER  
 STAMP PER:  
 REV: -  
 ENGR: PATRICK D. FAAS  
 DATED: 07/27/2017  
 STATE: WA  
 REG NO: 49313



SIZE	D	DWG NO.	16101-200-170-1	REV	A
SCALE	1/2"=1'-0"	FILE NAME	16101-200-170-1A	SHEET	3 OF 3