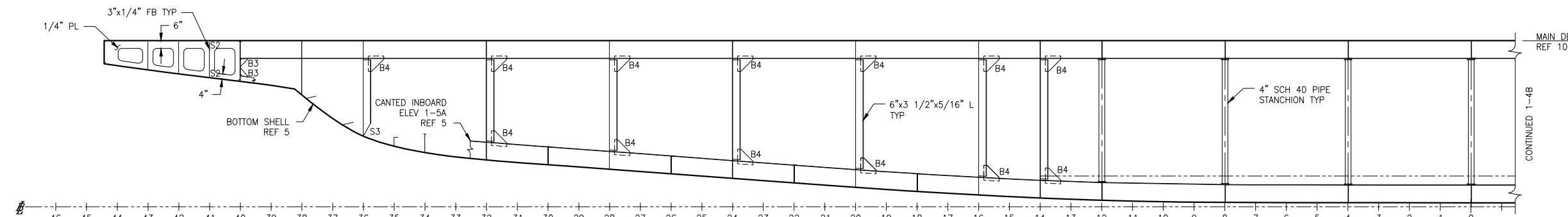
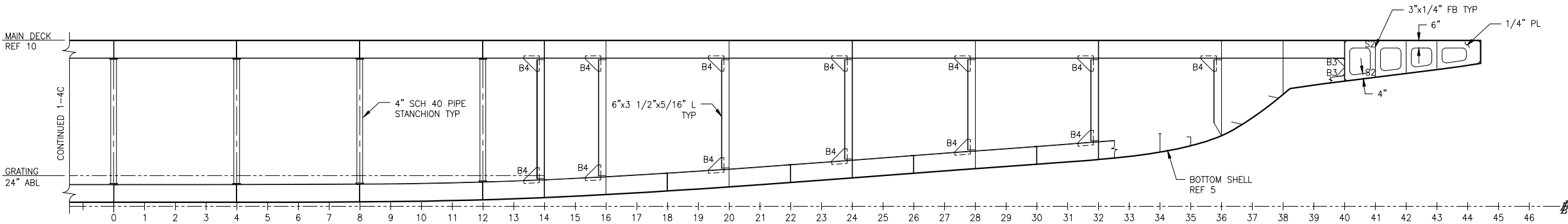


CONFIDENTIAL AND PROPRIETARY PROPERTY OF  
**EBDG - NC, PLLC**  
 MAY NOT BE USED FOR CONSTRUCTION OR PROVIDED TO  
 ANY THIRD PARTIES WITHOUT PRIOR WRITTEN CONSENT.  
 © 2017 ELLIOTT BAY DESIGN GROUP.

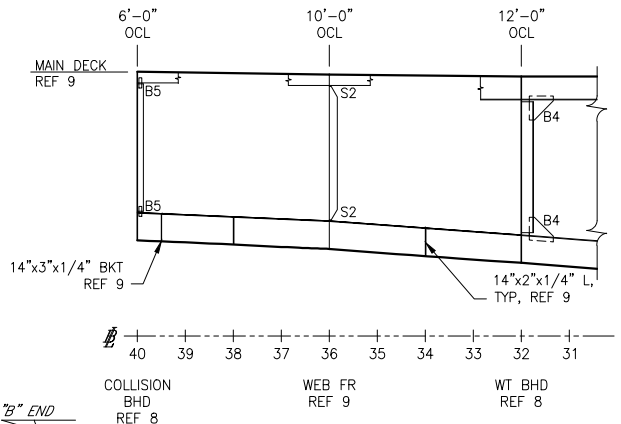
REVISION HISTORY				
REV	ZONE	DESCRIPTION	DWN	DATE



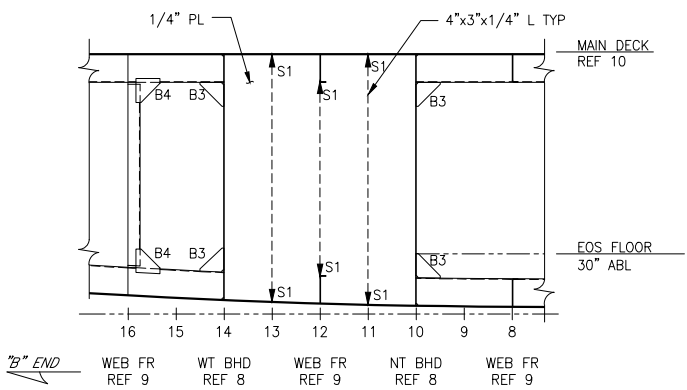
**ELEVATION 1-4C**  
 12'-0" OCL (P)  
 'B' END SHOWN, LOOKING TO PORT  
 STBD SIM., OPP., EXCEPT AS SHOWN IN 1-3A



**ELEVATION 1-4B**  
 12'-0" OCL PORT  
 'A' END SHOWN, LOOKING TO PORT  
 STBD SIMILAR OPPOSITE



**ELEVATION 1-5A**  
 12'-0" TO 6'-0" OCL (P)  
 'B' END SHOWN, LOOKING TO PORT  
 STBD SIM., OPP., 'A' END OPP.



**ELEVATION 1-3A**  
 EOS VESTIBULE BHD 12'-0" OCL STBD  
 LOOKING TO PORT  
 SCALE: 1/4" = 1'-0"

**GENERAL NOTES**

1. VESSEL TO BE CONSTRUCTED IN ACCORDANCE WITH 46 CFR SUBCHAPTER H REGULATIONS.
2. FRAME SPACING IS 24" UNLESS NOTED OTHERWISE.

**REFERENCES**

1. 16101-100-832-1 TECHNICAL SPECIFICATION
2. 16101-200-061-1 SCANTLING CALCULATIONS
3. 16101-200-100-1 LINES PLAN
4. 16101-100-101-1 PROFILES AND DECK ARRANGEMENTS
5. 16101-200-110-1 BOTTOM AND SIDE SHELL
6. 16101-200-110-2 SKEG
7. 16101-200-120-1 MIDSHIP SECTION
8. 16101-200-120-3 HULL TRANSVERSE BULKHEADS
9. 16101-200-120-4 HULL TRANSVERSE FRAMES
10. 16101-200-130-2 MAIN DECK
11. 16101-200-180-1 PROPULSION UNIT FOUNDATIONS
12. 16101-200-624-1 WINDOW SCHEDULE
13. 16101-200-624-2 DOOR SCHEDULE



**Elliott Bay Design Group**  
 North Carolina, PLLC

CLIENT: NORTH CAROLINA D.O.T.  
 RALEIGH, NORTH CAROLINA  
 PROJECT: NEW RIVER CLASS FERRY

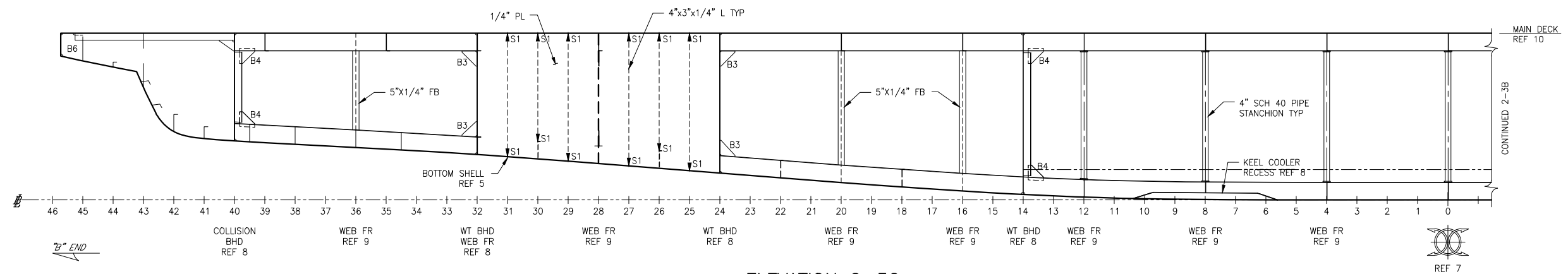
TITLE: HULL LONGITUDINAL  
 BULKHEADS AND GIRDERS

SIZE: D	DWG NO.: 16101-200-120-5	REV: -
SCALE: 1/4" = 1'-0"	FILE NAME: 16101-200-120-5-	SHEET 1 OF 3
DWN: JPC	MOD: DKG/ZDL	OKD: PDF
APVD: PDF	APVD DATE: 7/27/2017	

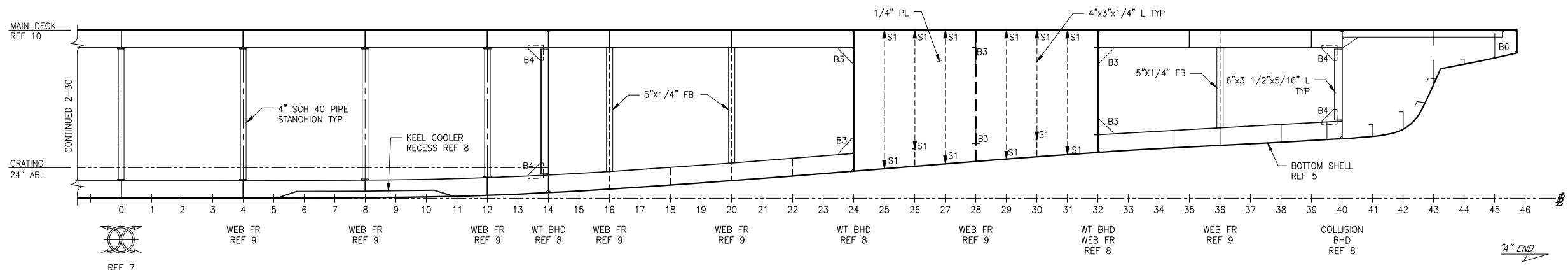


*Patrick*

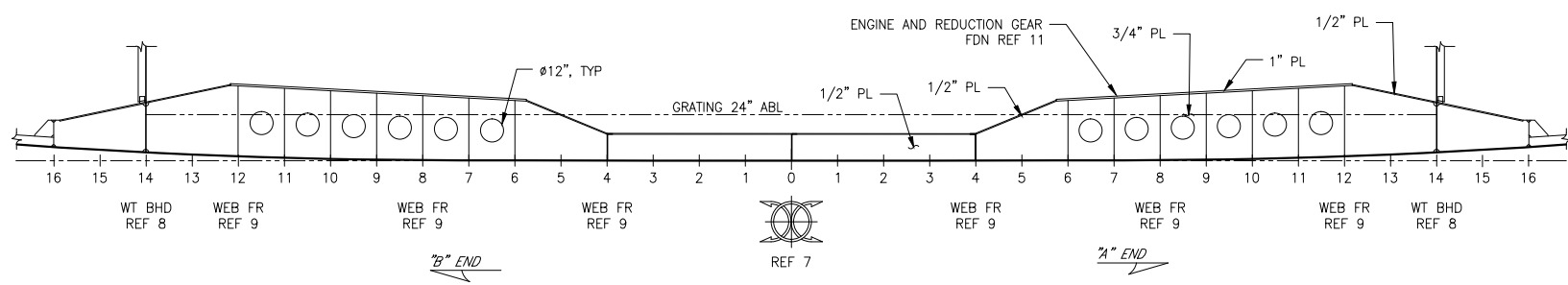
CONFIDENTIAL AND PROPRIETARY PROPERTY OF  
**EBDG - NC, PLLC**  
 MAY NOT BE USED FOR CONSTRUCTION OR PROVIDED TO  
 ANY THIRD PARTIES WITHOUT PRIOR WRITTEN CONSENT.  
 © 2017 ELLIOTT BAY DESIGN GROUP.



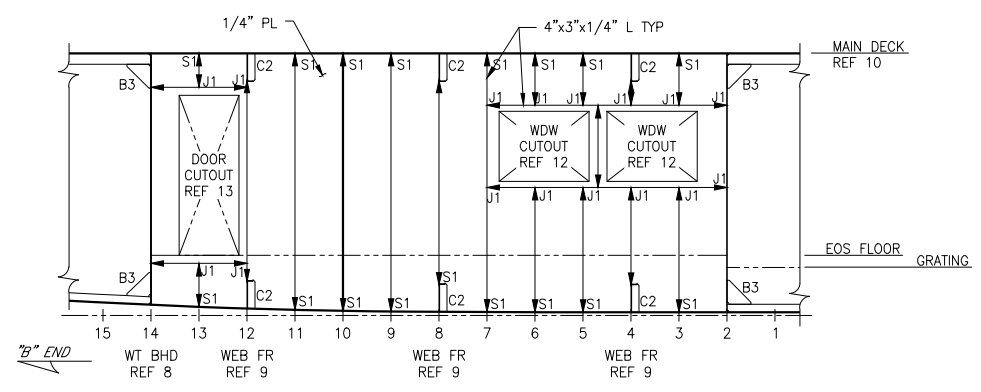
**ELEVATION 2-3C**  
 5'-0" OCL PORT  
 'B' END SHOWN LOOKING TO PORT  
 STBD SIMILAR OPPOSITE



**ELEVATION 2-3B**  
 5'-0" OCL PORT  
 'A' END SHOWN LOOKING TO PORT  
 STBD SIMILAR OPPOSITE



**ELEVATION 2-5A**  
 MAIN ENGINE GIRDER 1'-0" OCL P/S



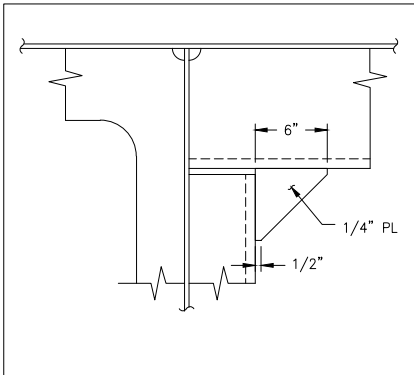
**ELEVATION 2-2A**  
 EOS BHD 8'-0" OCL STBD  
 'B' END SHOWN, LOOKING TO PORT

*Patrick D. Patis*  
 PATRICK D. PATIS  
 STATE OF WASHINGTON  
 49313  
 REGISTERED  
 PROFESSIONAL ENGINEER

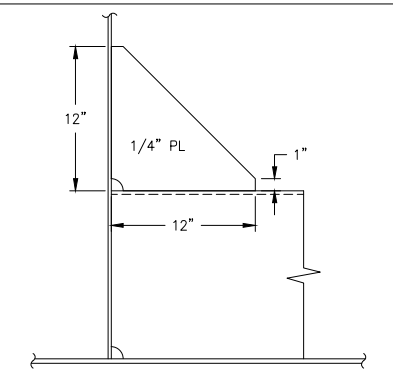
SIZE	DWG NO.	REV
D	16101-200-120-5	-
SCALE	FILE NAME	SHEET
1/4" = 1'-0"	16101-200-120-5-	2 OF 3

7/27/2017 8:00:16 PM

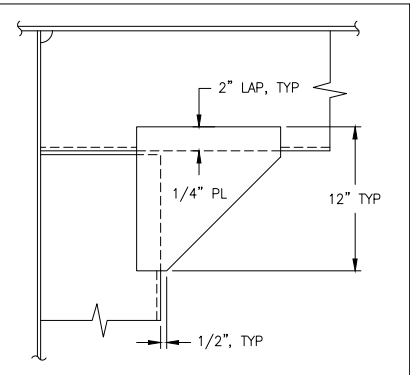
CONFIDENTIAL AND PROPRIETARY PROPERTY OF  
**EBDG - NC, PLLC**  
 MAY NOT BE USED FOR CONSTRUCTION OR PROVIDED TO  
 ANY THIRD PARTIES WITHOUT PRIOR WRITTEN CONSENT.  
 © 2017 ELLIOTT BAY DESIGN GROUP.



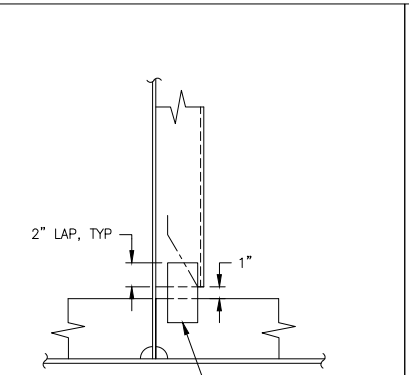
B1



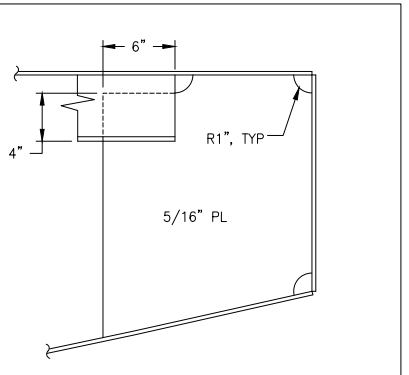
B3



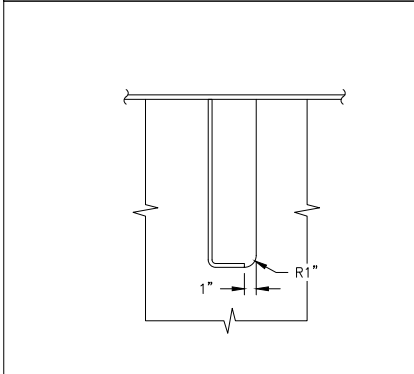
B4



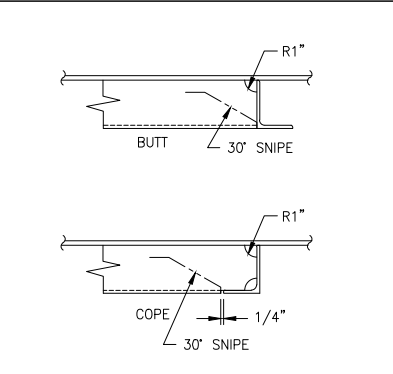
B5



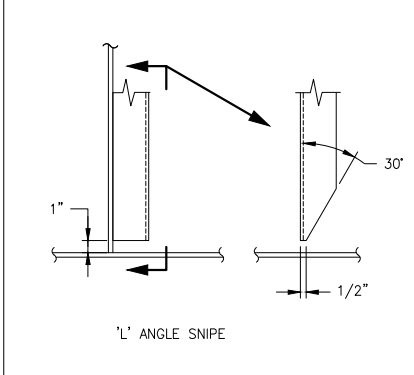
B6



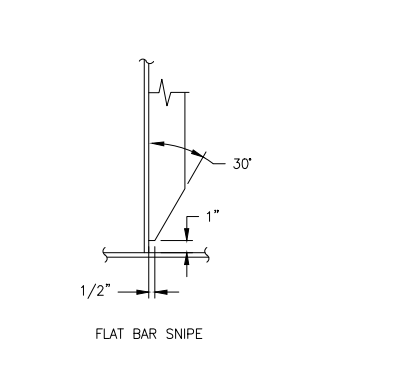
C2



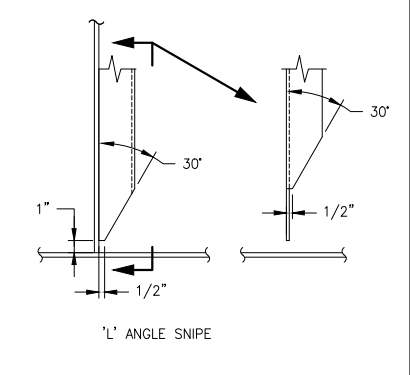
J1



S1



S2



S3

*Patrick J. ...*  
 PATRICK D. PAIS  
 STATE OF WASHINGTON  
 49313  
 REGISTERED  
 PROFESSIONAL ENGINEER

SIZE	D	DWG NO.	16101-200-120-5	REV	-
SCALE	1 1/2" = 1'-0"	FILE NAME	16101-200-120-5-	SHEET	3 OF 3

7/27/2017 8:00:28 PM