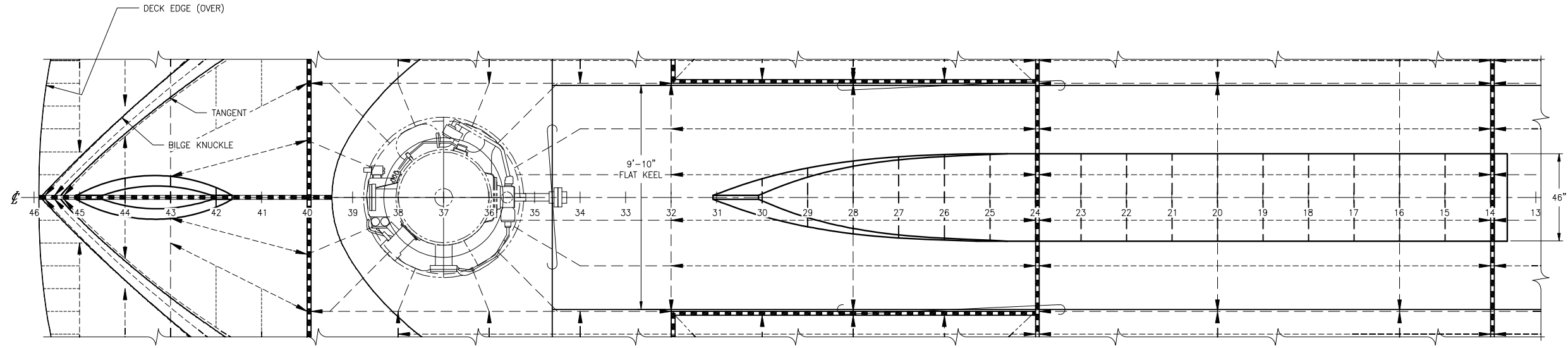


CONFIDENTIAL AND PROPRIETARY PROPERTY OF
EBDG, INC., PLLC
 MAY NOT BE USED FOR CONSTRUCTION OR PROVIDED TO
 ANY THIRD PARTIES WITHOUT PRIOR WRITTEN CONSENT.
 ©2017 ELLIOTT BAY DESIGN GROUP.

REVISION HISTORY				
REV	ZONE	DESCRIPTION	DWN	DATE



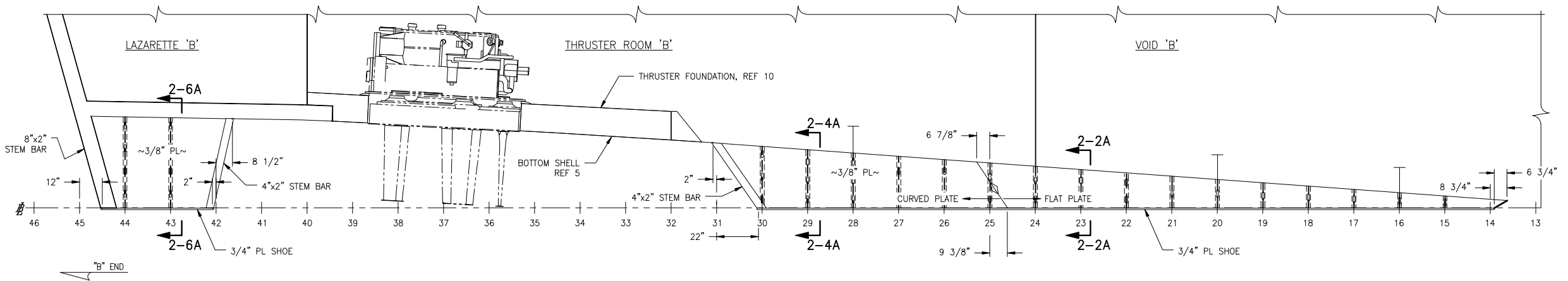
PLAN 1-4C
'B' END SKEGS
 REFLECTED PLAN
 'A' END SIM., OPP.

GENERAL NOTES

1. VESSEL TO BE CONSTRUCTED IN ACCORDANCE WITH 46 CFR SUBCHAPTER H REGULATIONS.
2. FRAME SPACING IS 24" UNLESS NOTED OTHERWISE.

REFERENCES

1. 16101-200-832-1 TECHNICAL SPECIFICATION
2. 16101-200-061-1 SCANTLING CALCULATIONS
3. 16101-200-100-1 LINES PLAN
4. 16101-100-101-1 PROFILES AND ARRANGEMENTS
5. 16101-200-110-1 BOTTOM AND SIDE SHELL
6. 16101-200-120-1 MIDSHIP SECTION
7. 16101-200-120-3 HULL TRANSVERSE BULKHEADS
8. 16101-200-120-4 HULL TRANSVERSE FRAMES
9. 16101-200-120-5 HULL LONGITUDINAL BULKHEADS AND GIRDERS
10. 16101-200-180-1 PROPULSION UNIT FOUNDATIONS



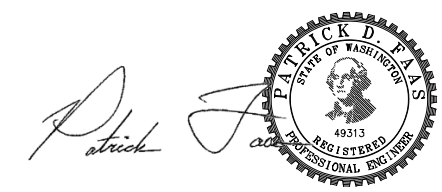
ELEVATION 1-4A
'B' END SKEG PROFILE
 'A' END SIM., OPP.



Elliott Bay Design Group
 North Carolina, PLLC

CLIENT: **NORTH CAROLINA D.O.T.**
 RALEIGH, NORTH CAROLINA
 PROJECT: **NEW RIVER CLASS FERRY**

SKEGS



SIZE	D	DWG NO.	16101-200-110-2	REV	-
SCALE	3/8" = 1'-0"	FILE NAME	16101-200-110-2-	SHEET	1 OF 2
DWN	ZDL	MOD	CKD PDF	APVD	PDF
				APVD DATE	7/25/2017

CONFIDENTIAL AND PROPRIETARY PROPERTY OF
EBDG - NC, PLLC
 MAY NOT BE USED FOR CONSTRUCTION OR PROVIDED TO
 ANY THIRD PARTIES WITHOUT PRIOR WRITTEN CONSENT.
 ©2017 ELLIOTT BAY DESIGN GROUP.

6

5

4

3

2

1

D

C

B

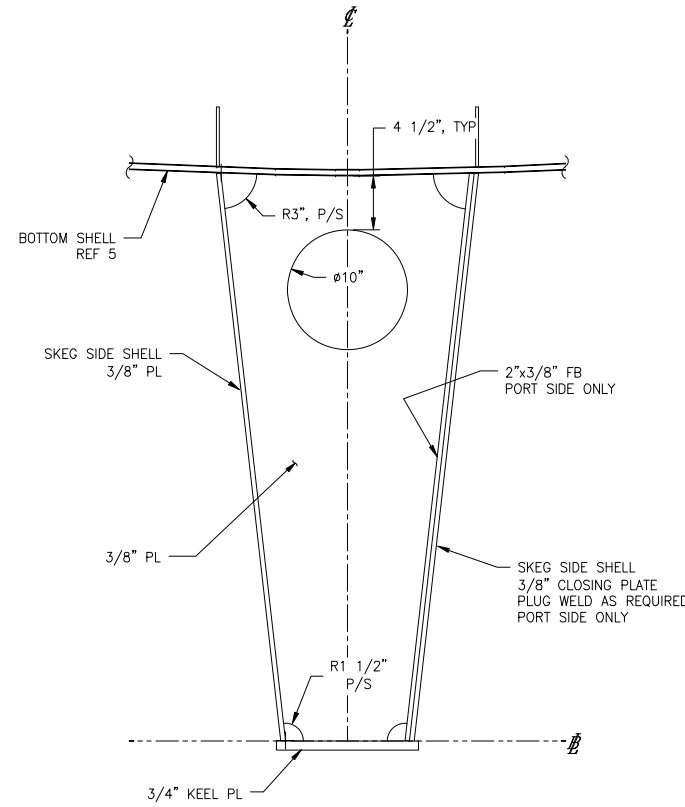
A

D

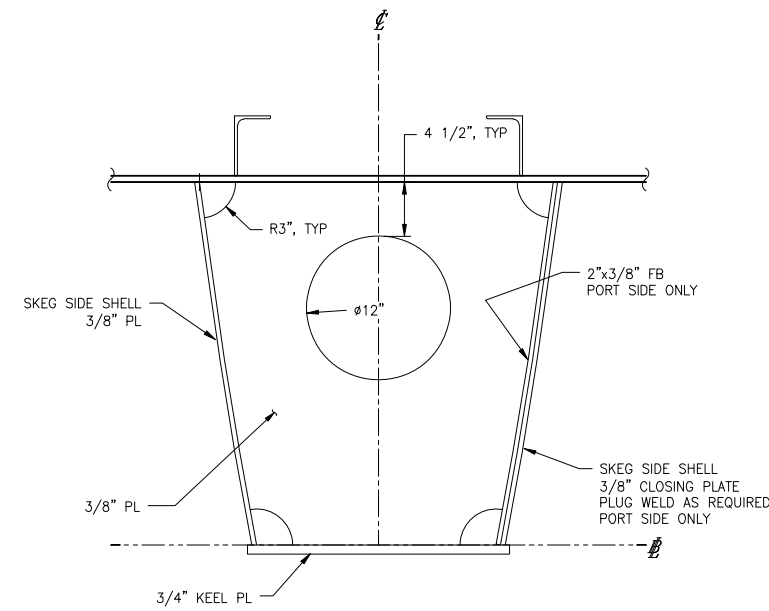
C

B

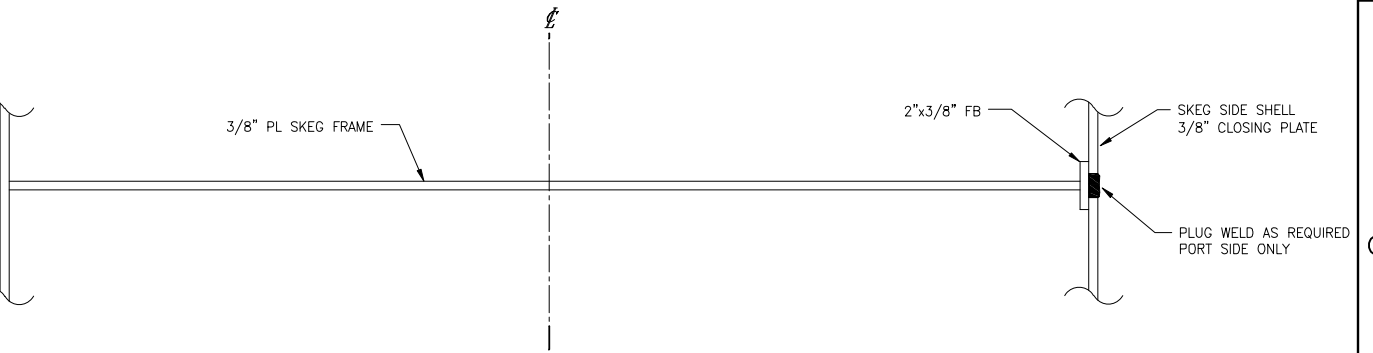
A



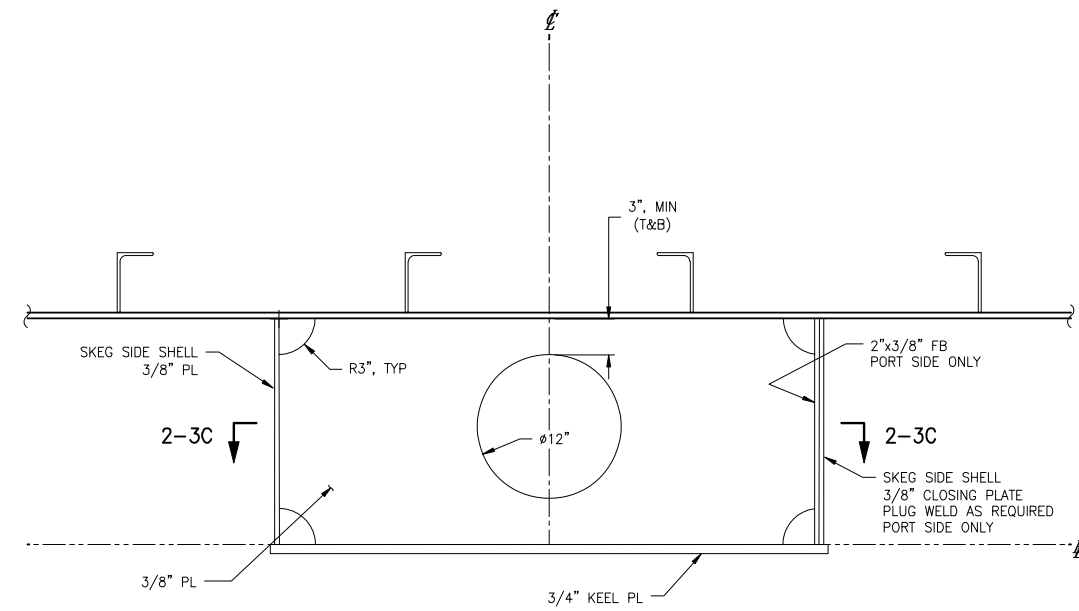
SECTION 2-6A
 FR 43
 LOOKING AFT
 SCALE: 1 1/2" = 1'-0"



SECTION 2-4A
 FR 29
 LOOKING AFT
 SCALE: 1 1/2" = 1'-0"



DETAIL 2-3C
 TYPICAL SKEG FRAME
 SCALE: 3" = 1'-0"



SECTION 2-2A
 FR 23
 LOOKING AFT
 SCALE: 1 1/2" = 1'-0"

Patrick D. Parks
 PATRICK D. PARKS
 STATE OF WASHINGTON
 49313
 REGISTERED
 PROFESSIONAL ENGINEER

SIZE	DWG NO.	16101-200-110-2	REV	-
SCALE	AS NOTED	FILE NAME	16101-200-110-2-	SHEET 2 OF 2

6

5

4

3

2

1