

CONFIDENTIAL AND PROPRIETARY PROPERTY OF
EBDG - NC, PLLC
 MAY NOT BE USED FOR CONSTRUCTION OR PROVIDED TO
 ANY THIRD PARTIES WITHOUT PRIOR WRITTEN CONSENT.
 ©2017 ELLIOTT BAY DESIGN GROUP.

REVISION HISTORY

REV	ZONE	DESCRIPTION	DWN	DATE	APVD
A	1-3B 1-5B 2-3C	1. UPDATED PE STAMP FOR REV A. 2. RELOCATED MASTS TO FRAME 23.	DKG	08/31/17	KAJ
SHT 3		3. ADDED CAMBER AND TUMBLEHOME DIMENSIONS TO MIDSHIP SECTION.			
SHT 3		4. UPDATED CHOCK AND CLEAT LOCATIONS IN MAIN DECK PLAN.			
SHT 3		5. ADDED HATCHES TO MAIN DK AND HOLD PLAN VIEWS.			
SHT 3		6. ADDED TANK CAPACITIES TO HOLD PLAN.			
4-2D		7. MODIFIED PILOT CHAIR LOCATION AND SIZE IN PILOT HOUSE CONSOLE DETAIL.			
4-1D		8. ADDED GRABRAIL TO PILOT HOUSE CONSOLE DETAIL.			

GENERAL NOTES

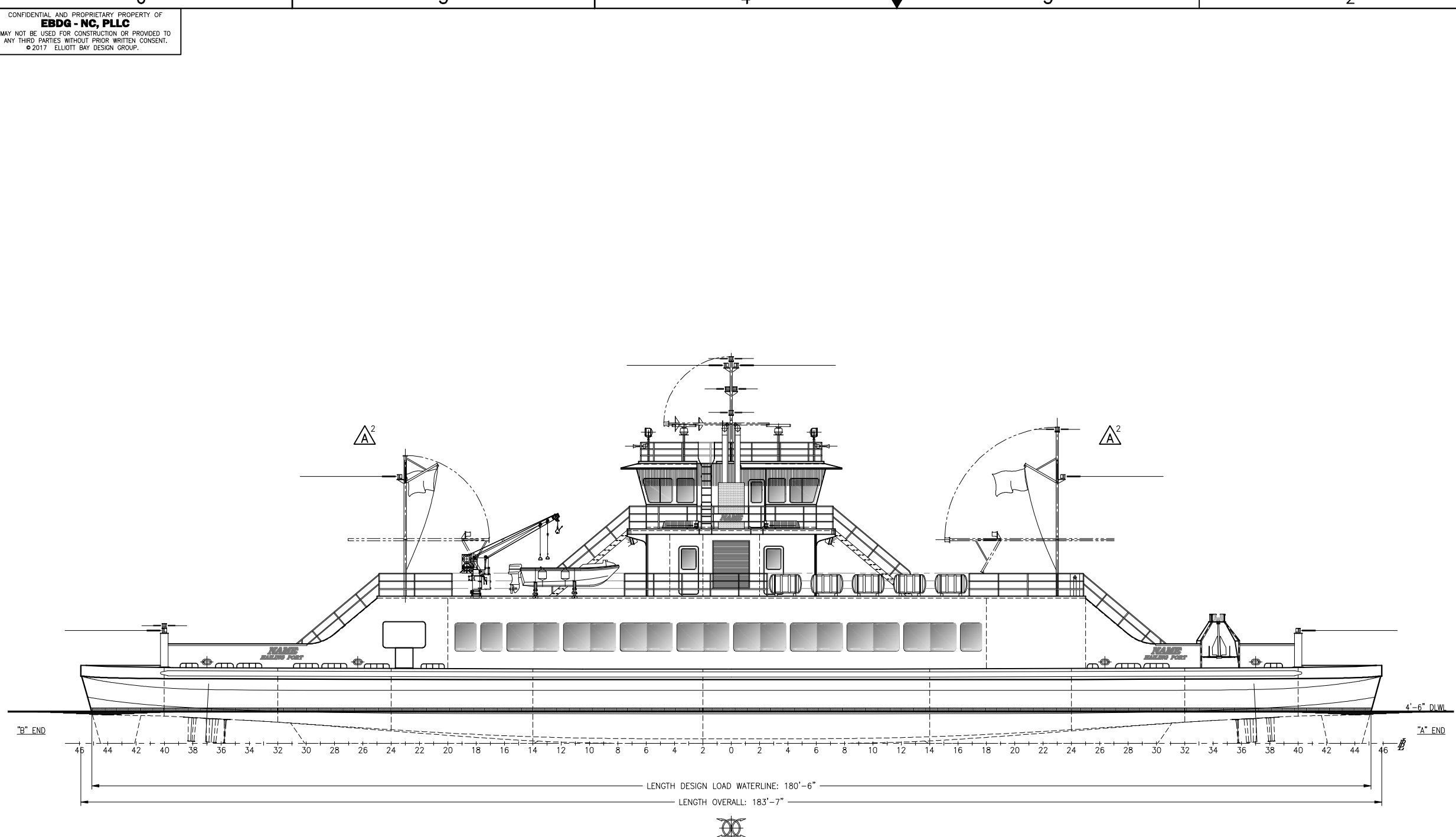
1. VESSEL TO BE CONSTRUCTED IN ACCORDANCE WITH 46 CFR SUBCHAPTER H REGULATIONS.
2. FRAME SPACING IS 24" UNLESS NOTED OTHERWISE.

VESSEL PARTICULARS

LENGTH OVERALL:	183'-7"
LENGTH DESIGN LOAD WATERLINE:	180'-6"
BEAM, MOLDED:	46'-0"
BEAM OVER GUARDS:	46'-10"
DEPTH AT SIDE:	10'-6"
DRAFT AT DLWL:	4'-6"
FREEBOARD AT SIDE:	6'-0"
TOTAL PASSENGER CAPACITY:	300 MAX.
VEHICLE CAPACITY:	40 SV

REFERENCES

1. 16101-200-832-1 TECHNICAL SPECIFICATION
2. 16101-200-100-1 LINES PLAN
3. 16101-200-101-7 FIRE ZONE PLAN
4. 16101-200-120-1 MIDSHIP SECTION
5. 16101-200-201-1 MACHINERY ARRANGEMENT



OUTBOARD PROFILE



Elliott Bay Design Group
 North Carolina, PLLC

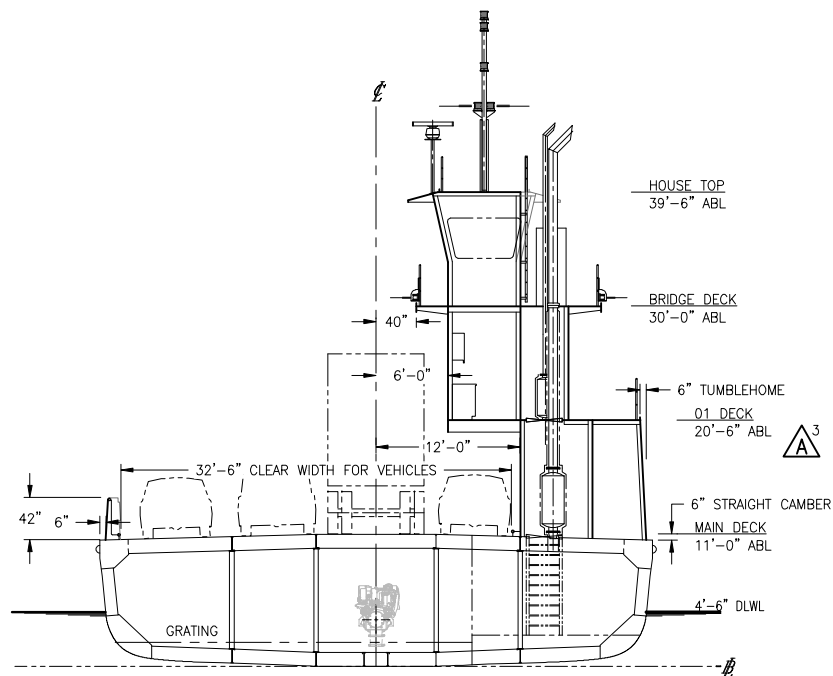
CLIENT: NORTH CAROLINA D.O.T.
 RALEIGH, NORTH CAROLINA
 PROJECT: NEW RIVER CLASS FERRY

PROFILES AND DECK ARRANGEMENTS

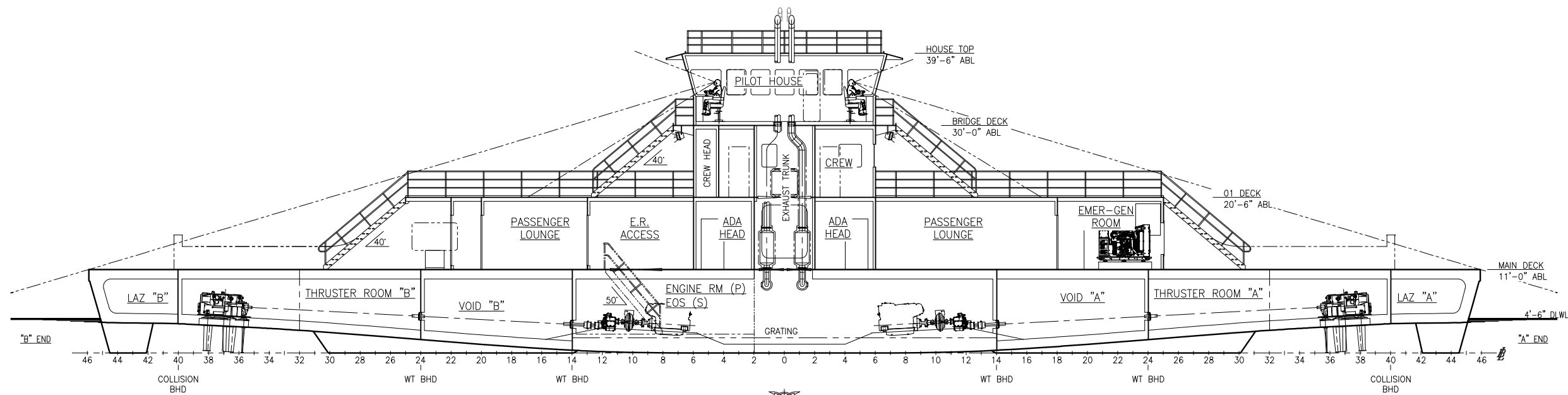
STAMP
 PROFESSIONAL ENGINEER
 STAMP PER:
 REV: -
 ENGR: PATRICK D. FAAS
 DATED: 07/27/2017
 STATE: WA
 REG NO: 49313



SIZE	D	DWG NO.	16101-200-101-1	REV	A
SCALE	1/8" = 1'-0"	FILE NAME	16101-200-101A	SHEET	1 OF 4
DWN	ZDL	MOD	MWR	CKD	M-W
APVD	KAJ	APVD DATE	7/27/2017		

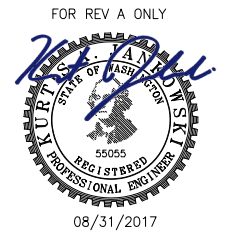


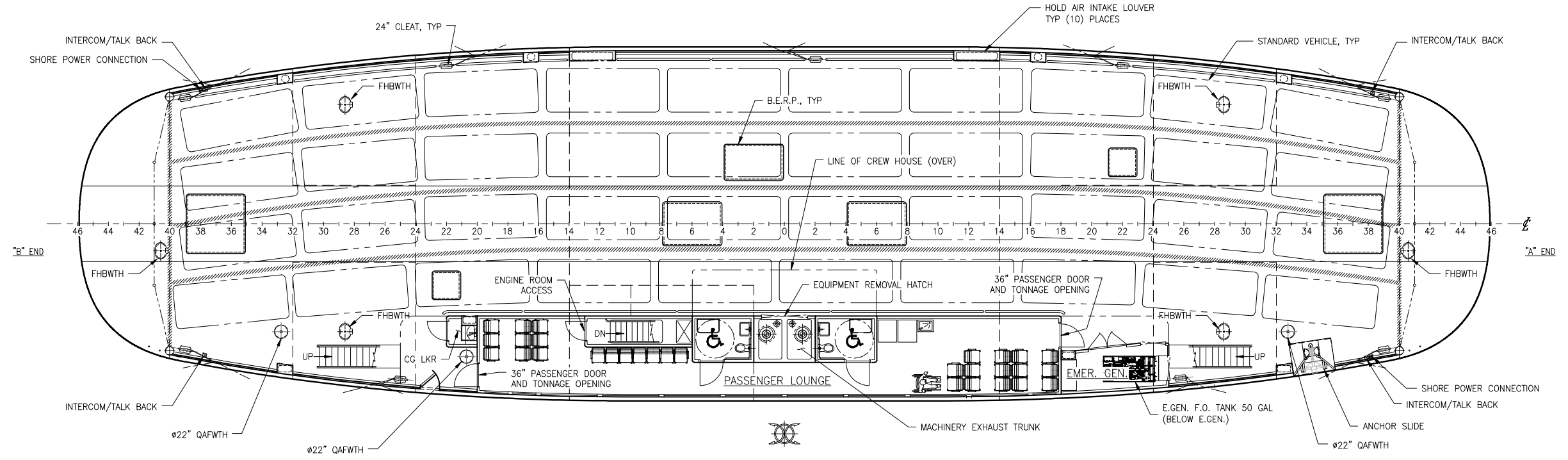
MIDSHIP SECTION



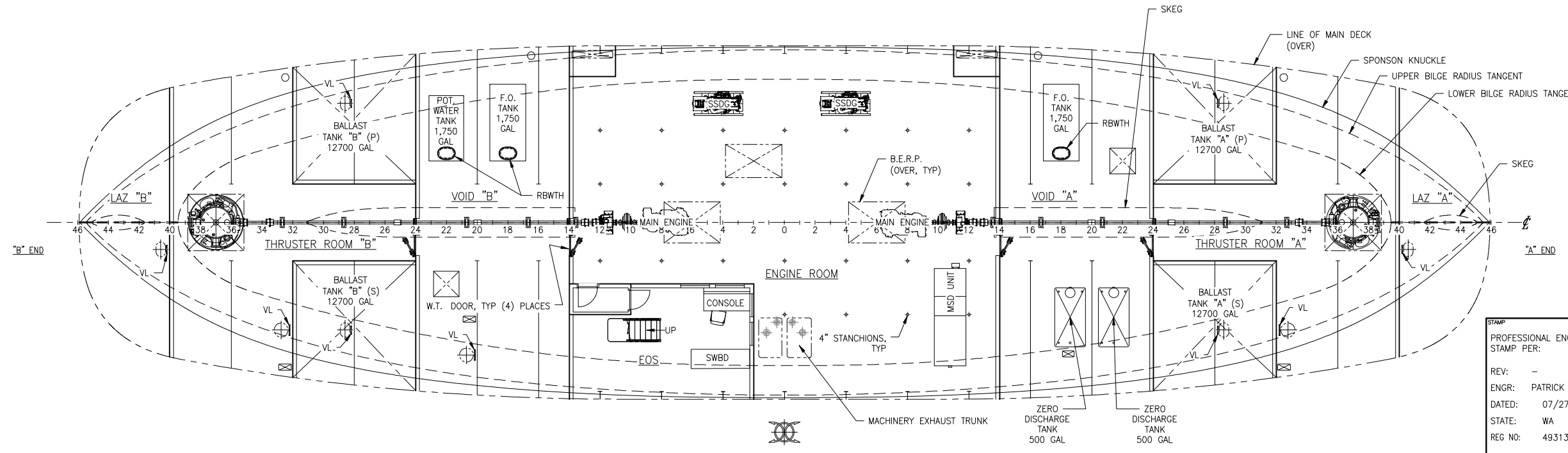
INBOARD PROFILE

STAMP
 PROFESSIONAL ENGINEER
 STAMP PER:
 REV: -
 ENGR: PATRICK D. FAAS
 DATED: 07/27/2017
 STATE: WA
 REG NO: 49313



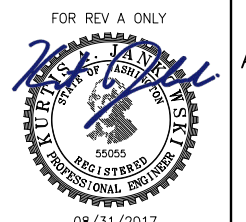


A^{4,5} MAIN DECK PLAN



A^{5,6} HOLD PLAN

STAMP
 PROFESSIONAL ENGINEER
 STAMP PER:
 REV: -
 ENGR: PATRICK D. FAAS
 DATED: 07/27/2017
 STATE: WA
 REG NO: 49313



SIZE	D	DWG NO.	16101-200-101-1	REV	A
SCALE	1/8" = 1'-0"	FILE NAME	16101-200-101A	SHEET	3 OF 4

08/31/2017

CONFIDENTIAL AND PROPRIETARY PROPERTY OF
EBDG - INC, PLLC
 MAY NOT BE USED FOR CONSTRUCTION OR PROVIDED TO
 ANY THIRD PARTIES WITHOUT PRIOR WRITTEN CONSENT.
 © 2017 ELLIOTT BAY DESIGN GROUP.

6 5 4 3 2 1

D

C

B

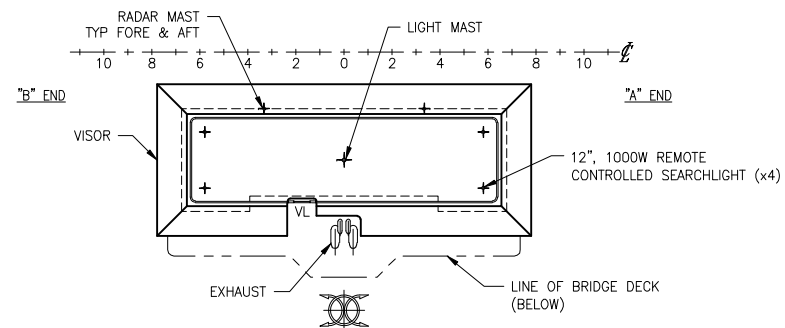
A

D

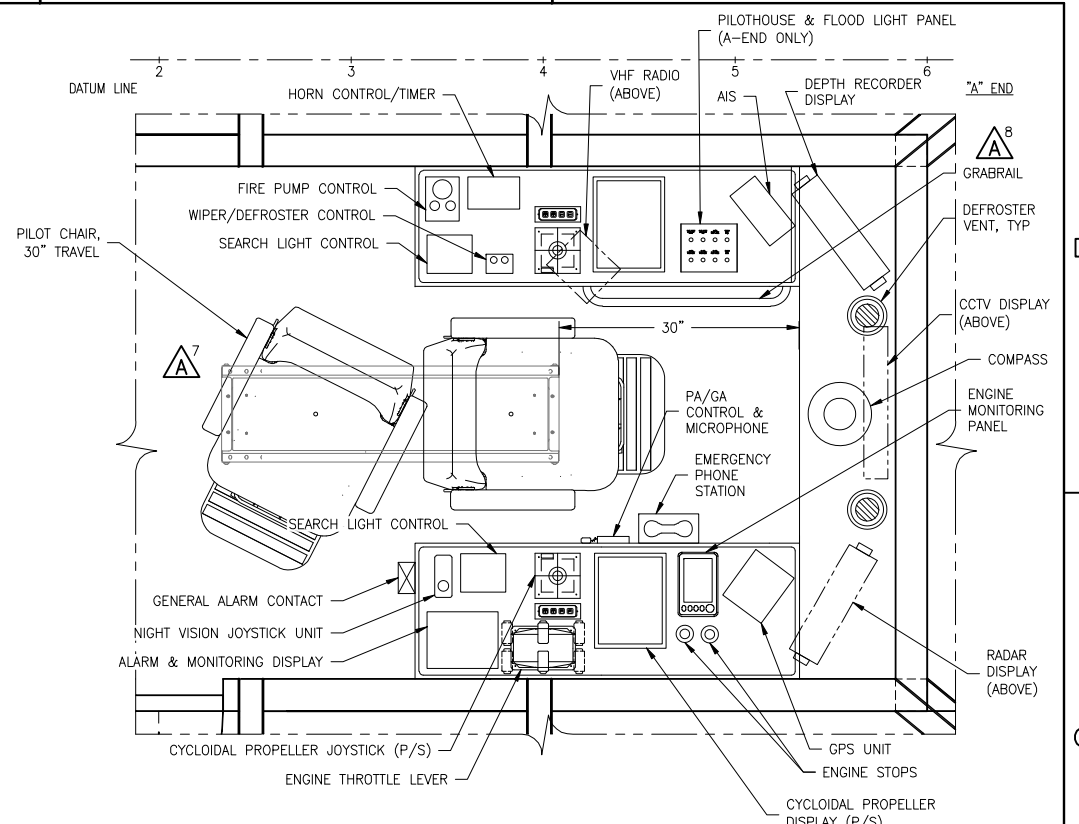
C

B

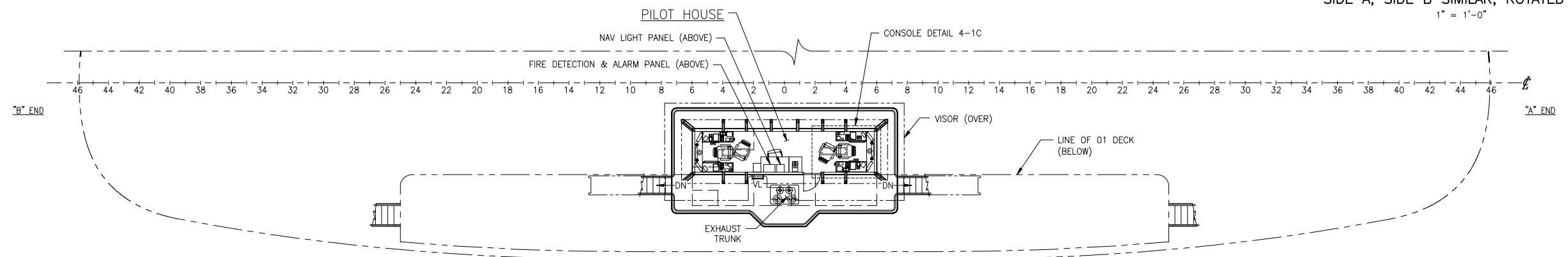
A



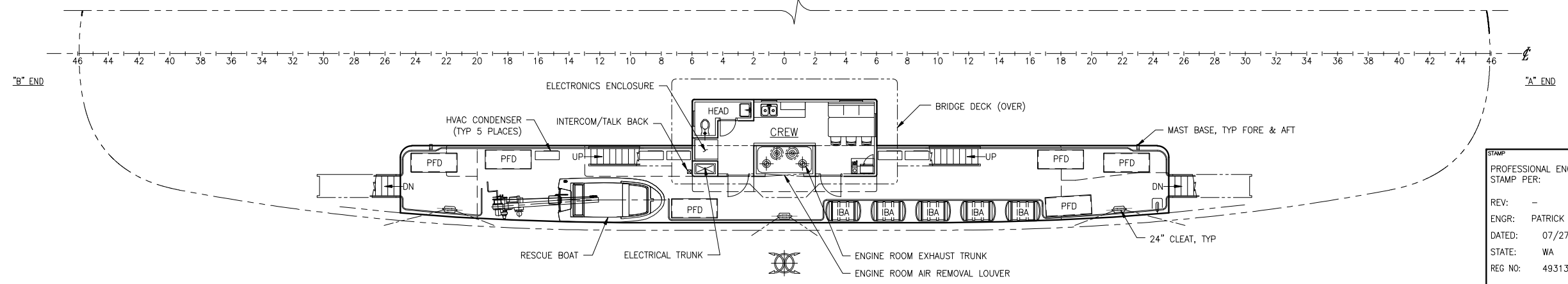
HOUSE TOP PLAN



PILOT HOUSE CONSOLE DETAIL 4-1C
 SIDE A; SIDE B SIMILAR, ROTATED 180
 1" = 1'-0"

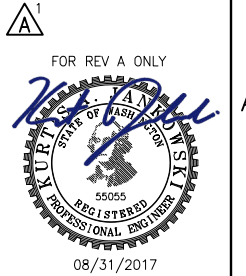


BRIDGE DECK PLAN



O1 DECK PLAN

STAMP
 PROFESSIONAL ENGINEER
 STAMP PER:
 REV: -
 ENGR: PATRICK D. FAAS
 DATED: 07/27/2017
 STATE: WA
 REG NO: 49313



SIZE D DWG NO. 16101-200-101-1 REV A
 SCALE 1/8"=1'-0" UNO FILE NAME 16101-200-101A SHEET 4 OF 4

6 5 4 3 2 1