
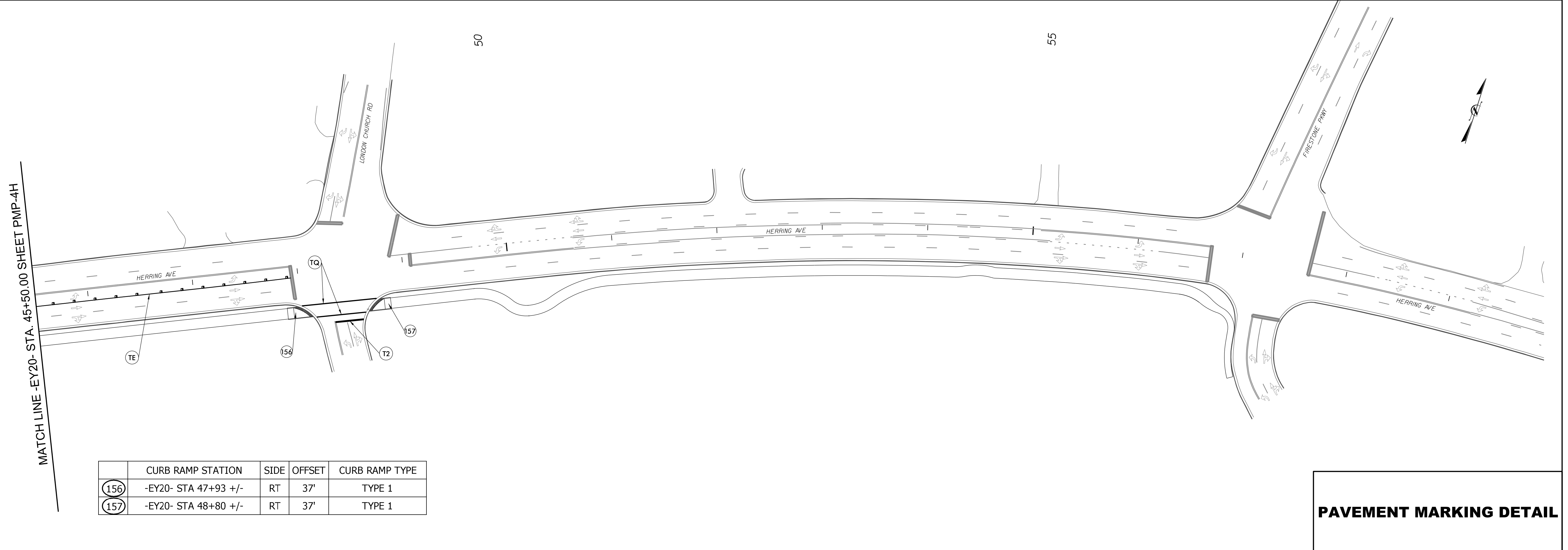
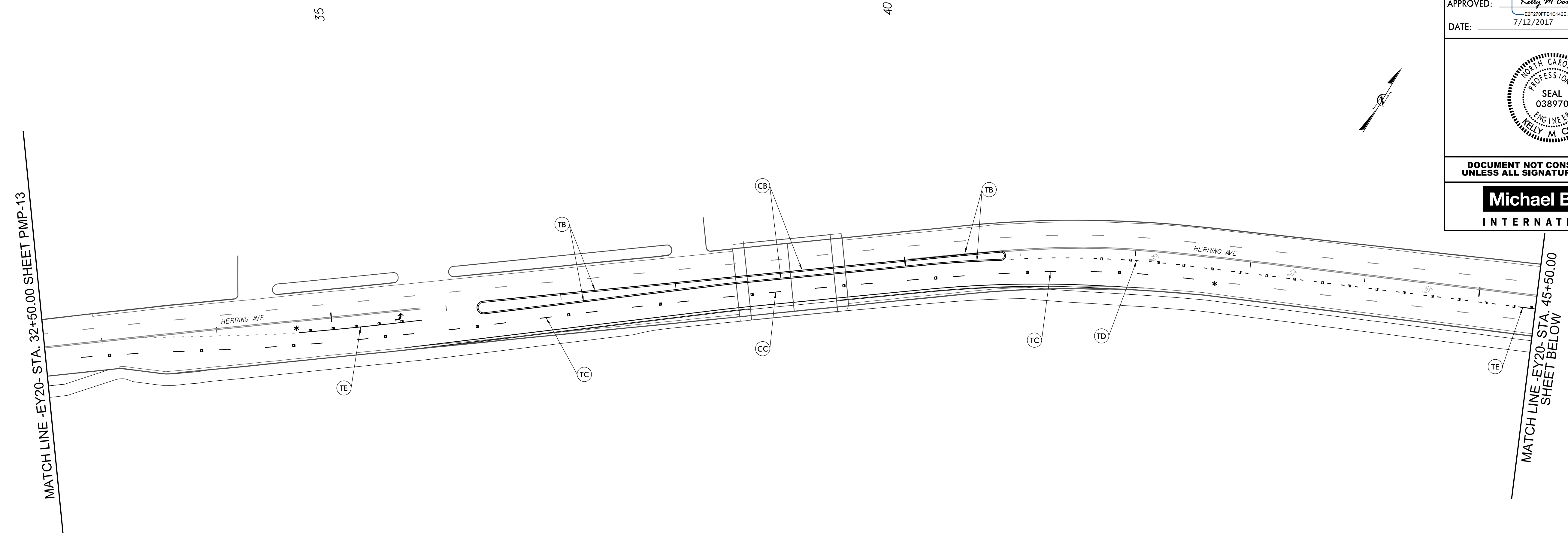


| | |
|---|-----------|
| PROJECT REFERENCE NO. | SHEET NO. |
| U-5935 | PMP-14 |
| APPROVED: <i>Kelly M. Cory</i> <small>DocuSigned by: E2F270FB1C142E...</small> | |
| DATE: 7/12/2017 | |
|  | |
| DOCUMENT NOT CONSIDERED FINAL UNLESS ALL SIGNATURES COMPLETED | |
| Michael Baker INTERNATIONAL | |

* TIE TO EXISTING



PAVEMENT MARKING DETAIL

I2-JUL-2017 14:31
 X:\Projects\115_30\Traffic\Pavement Marking Plans\U-5935_PMP_psh_14.dgn
 KMCOR.Y AT NORC\COR.Y