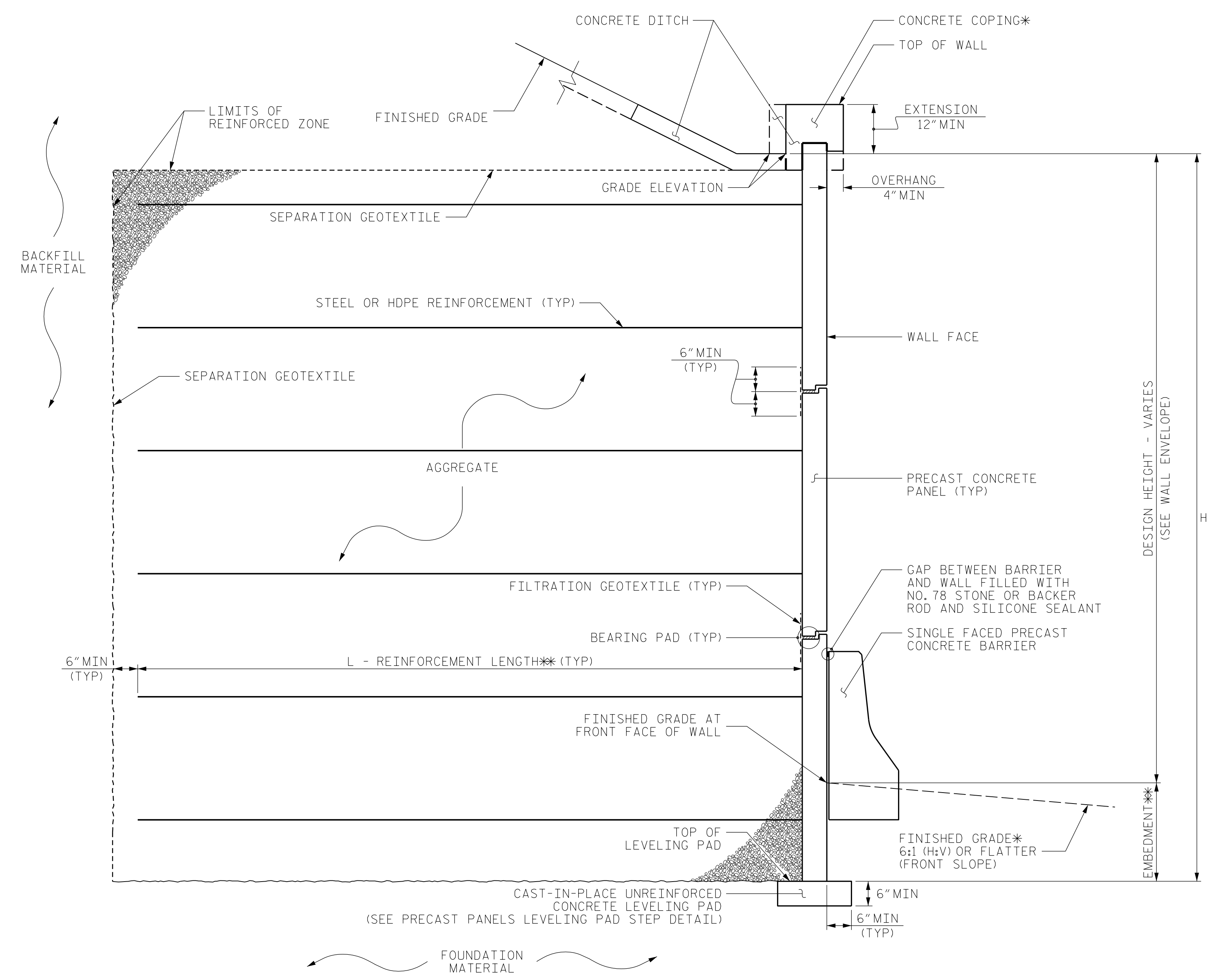
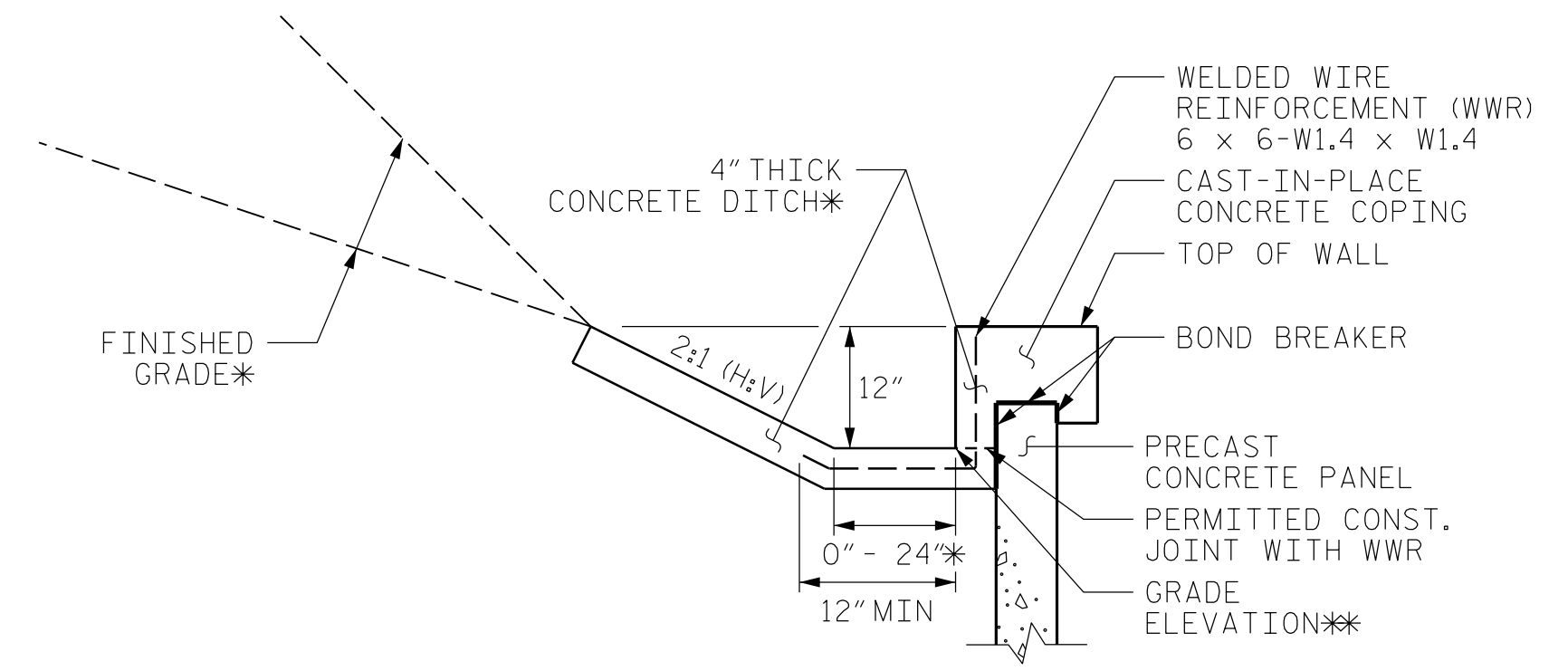
 <p>GEOTECHNICAL ENGINEER</p>	ENGINEER
<p>Designed by: <i>Matthew Alexander</i> 8/10/2017</p> <p>DATE: 8/10/2017</p>	<p>SIGNATURE: _____ DATE: _____</p>
<p>DOCUMENT NOT CONSIDERED FINAL UNLESS ALL SIGNATURES COMPLETED</p>	



MSE WALL WITH PRECAST PANELS - TYPICAL SECTION

*SEE COPING DETAILS AND PLANS FOR FINISHED GRADE.
 **SEE MSE RETAINING WALLS PROVISION AND IF APPLICABLE, MSE WALL NOTES FOR EMBEDMENT AND REINFORCEMENT LENGTH REQUIREMENTS.

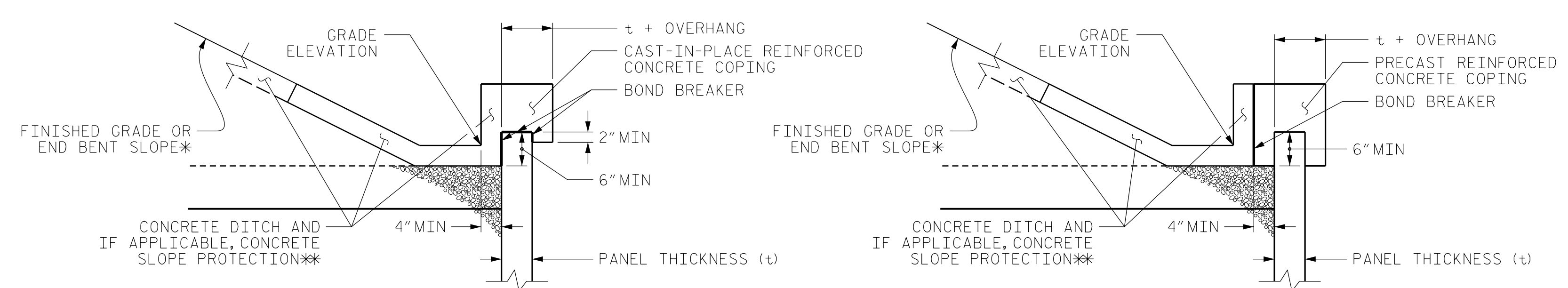


MSE WALL WITH PRECAST PANELS

CONCRETE DITCH BEHIND WALL WITH CONCRETE COPING

*SEE ROADWAY PLANS FOR CONCRETE DITCH AND FINISHED GRADE DETAILS.
 **SEE WALL ENVELOPE FOR GRADE ELEVATIONS.

FOR CONCRETE DITCHES, SEE SECTION 850 OF THE STANDARD SPECIFICATIONS.



COPING DETAILS

*SEE PLANS FOR FINISHED GRADE.
 **SEE CONCRETE DITCH BEHIND WALL DETAILS.

PROJECT NO.: 34243.1.4 (I-4729A)
 POLK COUNTY
 STATION: VARIES
 SHEET 8 OF 8

Terracon
 Consulting Engineers & Scientists
 2401 BRENTWOOD ROAD, SUITE 107
 RALEIGH, NORTH CAROLINA 27604
 PHONE: (919) 873-2211 FAX: (919) 873-9555
 NC REGISTERED FIRM: F-0869

MSE RETAINING WALLS NO. 1, NO. 2, NO. 3, AND NO. 4 TYPICAL SECTION

REVISIONS						SHEET NO.
NO.	BY	DATE	NO.	BY	DATE	
1			3			W-8
2			4			

PREPARED BY: M. J. ALEXANDER	DATE: 8/4/2017
REVIEWED BY: A. F. RIGGS	DATE: 8/4/2017