

PLAN OF APPROACH SLAB AT END BENT 1

PLAN OF APPROACH SLAB AT END BENT 2

SPLICE LENGTHS		
BAR	SIZE	LENGTH
A1,A3	#4	2'-0"
A2,A4	#4	1'-9"

BILL OF MATERIAL

APPROACH SLAB AT END BENT 1

BAR No.	SIZE	TYPE	LENGTH	WEIGHT
*A1	50	#4	STR 26'-9"	893
A2	52	#4	STR 26'-7"	923
*B1	91	#5	STR 24'-1"	2,286
B2	91	#6	STR 24'-6"	3,349
REINFORCING STEEL				4,272 LBS.
*EPOXY COATED REINFORCING STEEL				3,179 LBS.
CLASS "AA" CONCRETE				43.9 CU. YDS.

APPROACH SLAB AT END BENT 2

BAR No.	SIZE	TYPE	LENGTH	WEIGHT
*A3	75	#4	STR 23'-9"	1,190
A4	78	#4	STR 23'-7"	1,229
*B3	91	#5	STR 23'-10"	2,262
B4	91	#6	STR 24'-3"	3,315
REINFORCING STEEL				4,544 LBS.
*EPOXY COATED REINFORCING STEEL				3,452 LBS.
CLASS "AA" CONCRETE				42.6 CU. YDS.

NOTES

APPROACH SLAB SHALL NOT BE CONSTRUCTED PRIOR TO COMPLETION OF THE BRIDGE DECK.
 AREA BETWEEN THE WINGWALL AND APPROACH SLAB SHALL BE GRADED TO DRAIN THE WATER AWAY FROM THE FILL FACE OF THE BRIDGE AND SHALL BE PAVED. SEE ROADWAY PLANS.
 THE JOINT SHALL BE SAWS CUT PRIOR TO THE CASTING OF THE BARRIER RAIL.

SELECT BACKFILL MATERIAL SHALL BE THE AGGREGATE USED IN THE REINFORCED ZONE FOR THE MSE RETAINING WALL.

REINFORCED BRIDGE APPROACH FILLS ARE NOT REQUIRED AT END BENTS DUE TO MSE WALL REINFORCEMENT CONNECTED TO THE BACKWALL OF THE END BENT CAP.

FOR ARC OFFSETS, SEE SHEET 2 OF 2.

WITH FOAM JOINT SEAL

FOR FOAM JOINT SEALS, SEE SPECIAL PROVISIONS.

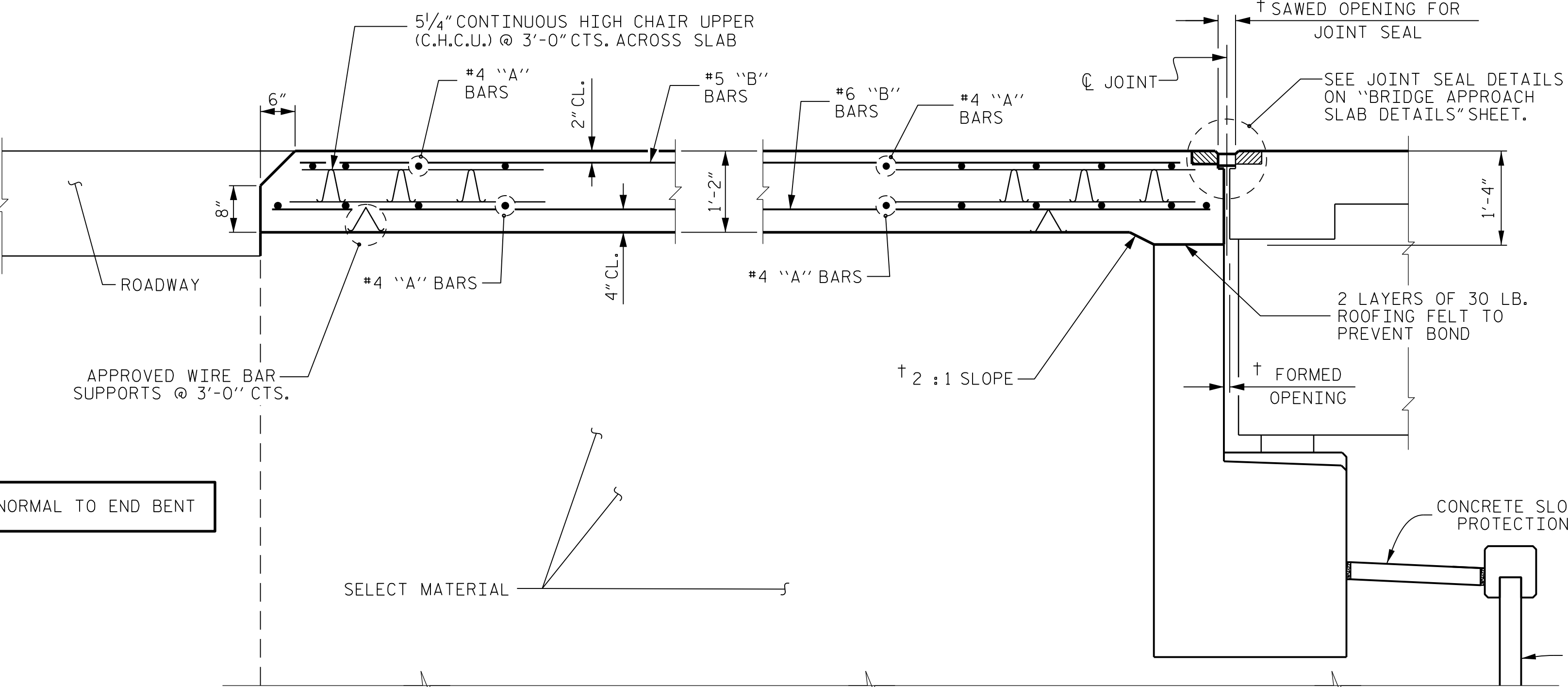
THE NOMINAL UNCOMPRESSED SEAL WIDTH OF THE FOAM JOINT SEAL SHALL BE 2".

FOR ELASTOMERIC CONCRETE, SEE SPECIAL PROVISIONS.

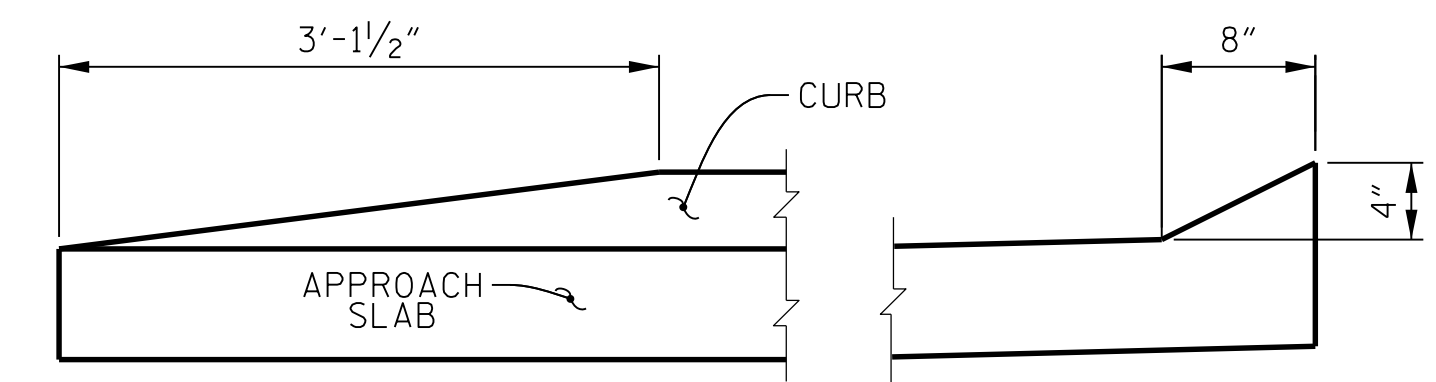
PROJECT NO. **I-4729A**
POLK COUNTY
 STATION: **21+44.22 -RP_F-**

SHEET 1 OF 2

STATE OF NORTH CAROLINA
 DEPARTMENT OF TRANSPORTATION
 RALEIGH
 STANDARD
BRIDGE APPROACH SLAB FOR FLEXIBLE PAVEMENT



SECTION THRU SLAB



CURB DETAILS

ASSEMBLED BY :	K. E. LOFTON	DATE :	7-17
CHECKED BY :	A. D. SHAH	DATE :	7-17
DRAWN BY :	TLA	10/05	REV. 10/11
CHECKED BY :	GM	5/06	REV. 12/21/11
			REV. 6/13

DRAWN BY :	K. E. LOFTON	DATE :	7-17
CHECKED BY :	A. D. SHAH	DATE :	7-17
DESIGN ENGINEER :	S. PHAN	DATE :	7-17

PLANS PREPARED BY :
PARSONS
 5540 CenterView Drive, Suite 217
 Raleigh, NC 27606-3386
 NC LICENSE No. F-0246
 FOR NORTH CAROLINA DEPARTMENT OF TRANSPORTATION

DOCUMENT NOT CONSIDERED FINAL
 UNLESS ALL SIGNATURES COMPLETED

REVISIONS						SHEET No.	
No.	BY:	DATE:	No.	BY:	DATE:	S2-29	
1			3			TOTAL SHEETS	
2			4			31	