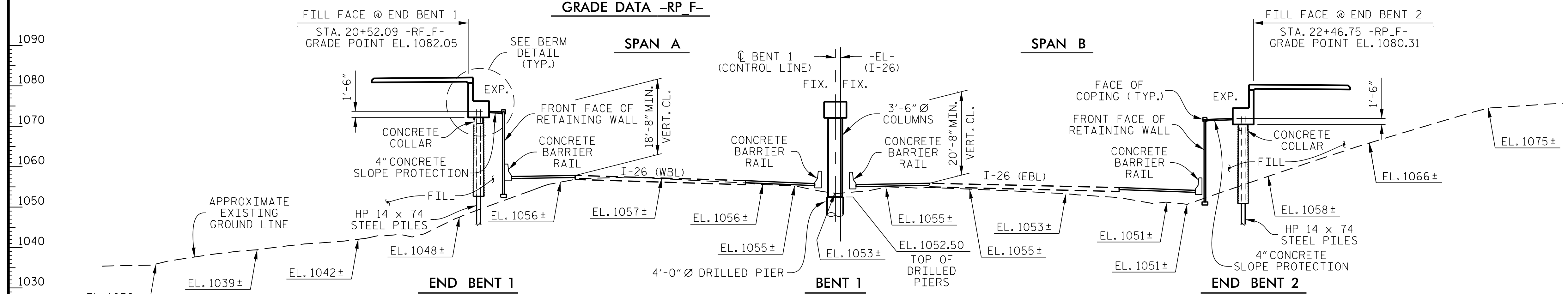


20+00 +50 21+00 +50 22+00 +50 23+00

P.V.I. = STA. 20+90.00
 EL. = 1,095.810'
 V.C. = 815.00'
 (+)6.7600% (-)6.6000%

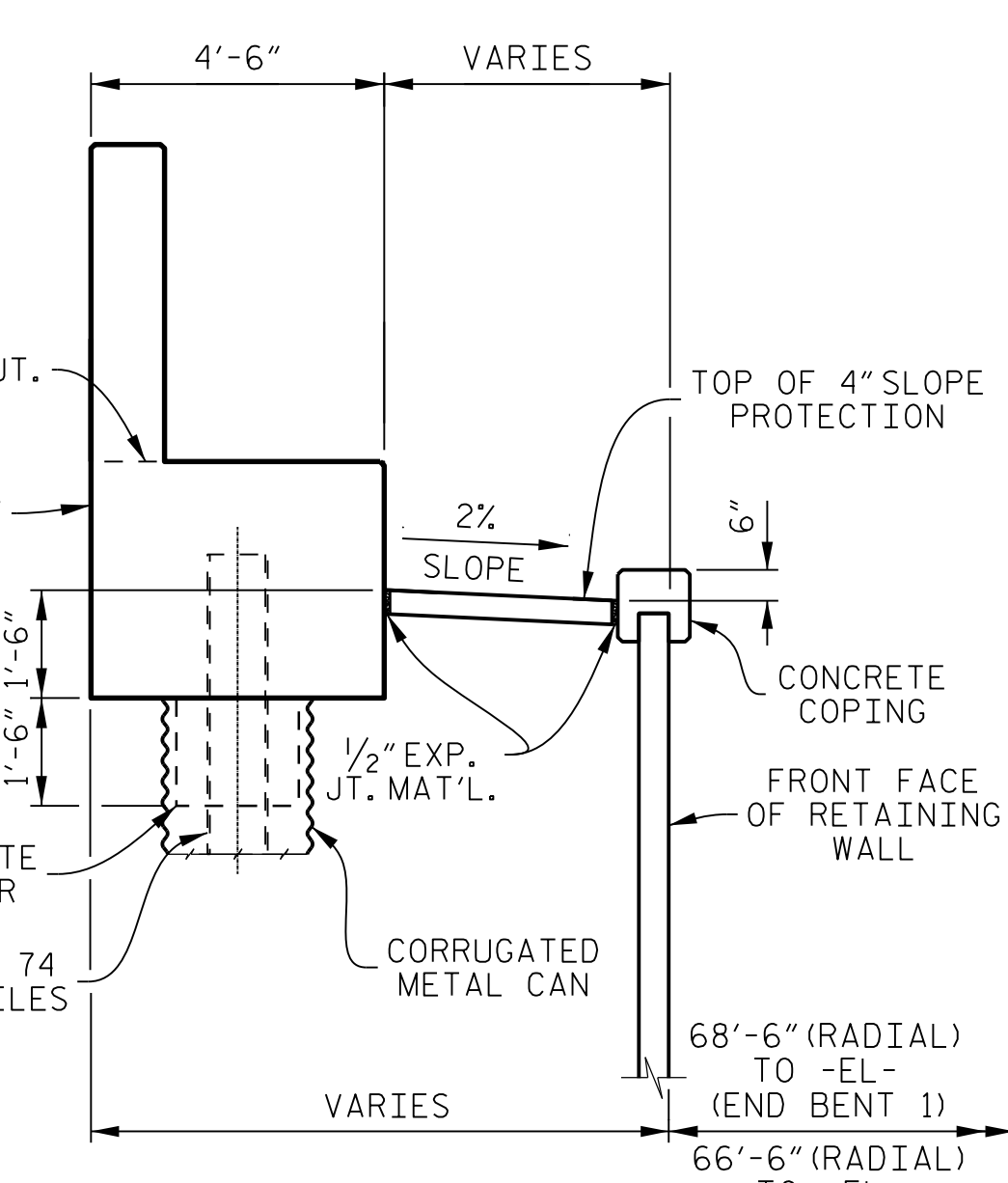
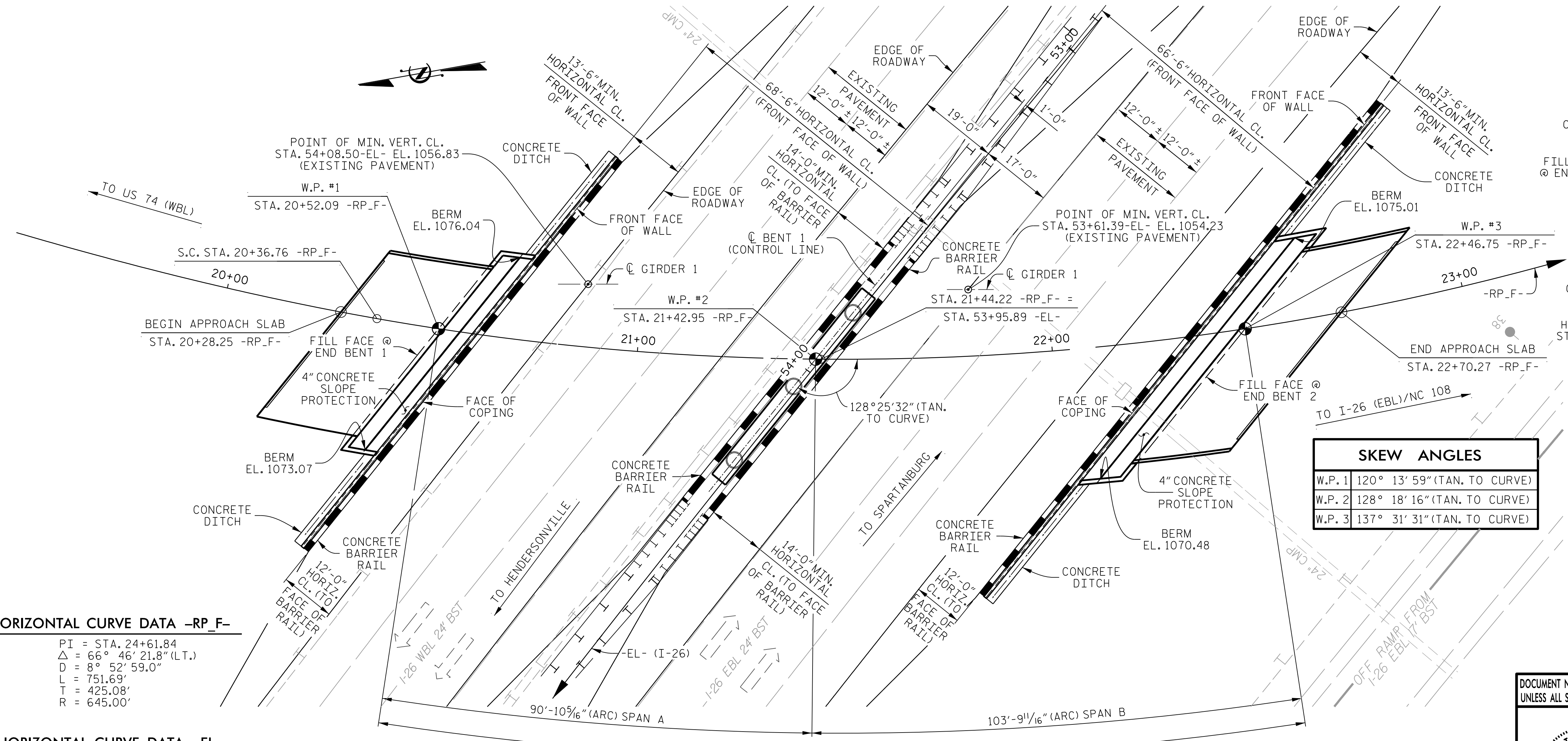
GRADE DATA -RP F-



SECTION ALONG -RP F-

(SECTIONS AT RIGHT ANGLES TO END BENTS AND BENT)

NOTE
 FOR NOTES, SEE SHEET 4 OF 4.



BERM DETAIL
 (NORMAL TO FILL FACE)

SKEW ANGLES	
W.P. 1	120° 13' 59" (TAN. TO CURVE)
W.P. 2	128° 18' 16" (TAN. TO CURVE)
W.P. 3	137° 31' 31" (TAN. TO CURVE)

HORIZONTAL CURVE DATA -RP F-

PI = STA. 24+61.84
 $\Delta = 66^\circ 46' 21.8''$ (LT.)
 D = 8° 52' 59.0"
 L = 751.69'
 T = 425.08'
 R = 645.00'

HORIZONTAL CURVE DATA -EL-

PI = STA. 61+13.99
 $\Delta = 30^\circ 13' 20.1''$ (LT.)
 D = 1° 00' 00.0"
 L = 3,022.23'
 T = 1,547.15'
 R = 5,729.58'

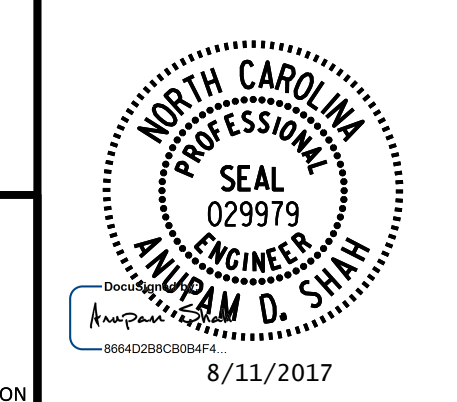
TOTAL ARC LENGTH OF BRIDGE = 194'- 8"
 (FILL FACE @ END BENT 1 TO FILL FACE @ END BENT 2)

PLAN

METAL CANS AND PILES NOT SHOWN IN PLAN VIEW.

PROJECT NO. **I-4729A**
POLK COUNTY
 STATION: **21+44.22 -RP F-**
53+95.89 -EL-
 SHEET 1 OF 4 BRIDGE No. 740230

DOCUMENT NOT CONSIDERED FINAL
 UNLESS ALL SIGNATURES COMPLETED



PLANS PREPARED BY:
PARSONS
 5540 Centerville Drive, Suite 217
 Raleigh, NC 27606-3386
 NC LICENSE No. F-0246
 FOR NORTH CAROLINA DEPARTMENT OF TRANSPORTATION

DRAWN BY: K. E. LOFTON DATE: 7-17
 CHECKED BY: A. D. SHAH DATE: 7-17
 DESIGN ENGINEER: S. PHAN DATE: 7-17

STATE OF NORTH CAROLINA DEPARTMENT OF TRANSPORTATION RALEIGH						SHEET No. S2-1
GENERAL DRAWING BRIDGE OVER I-26 (-EL-) ON RAMP (-RP F-) BETWEEN US-74 AND I-26						
REVISIONS						TOTAL SHEETS 31
No.	BY:	DATE:	No.	BY:	DATE:	
1			3			
2			4			