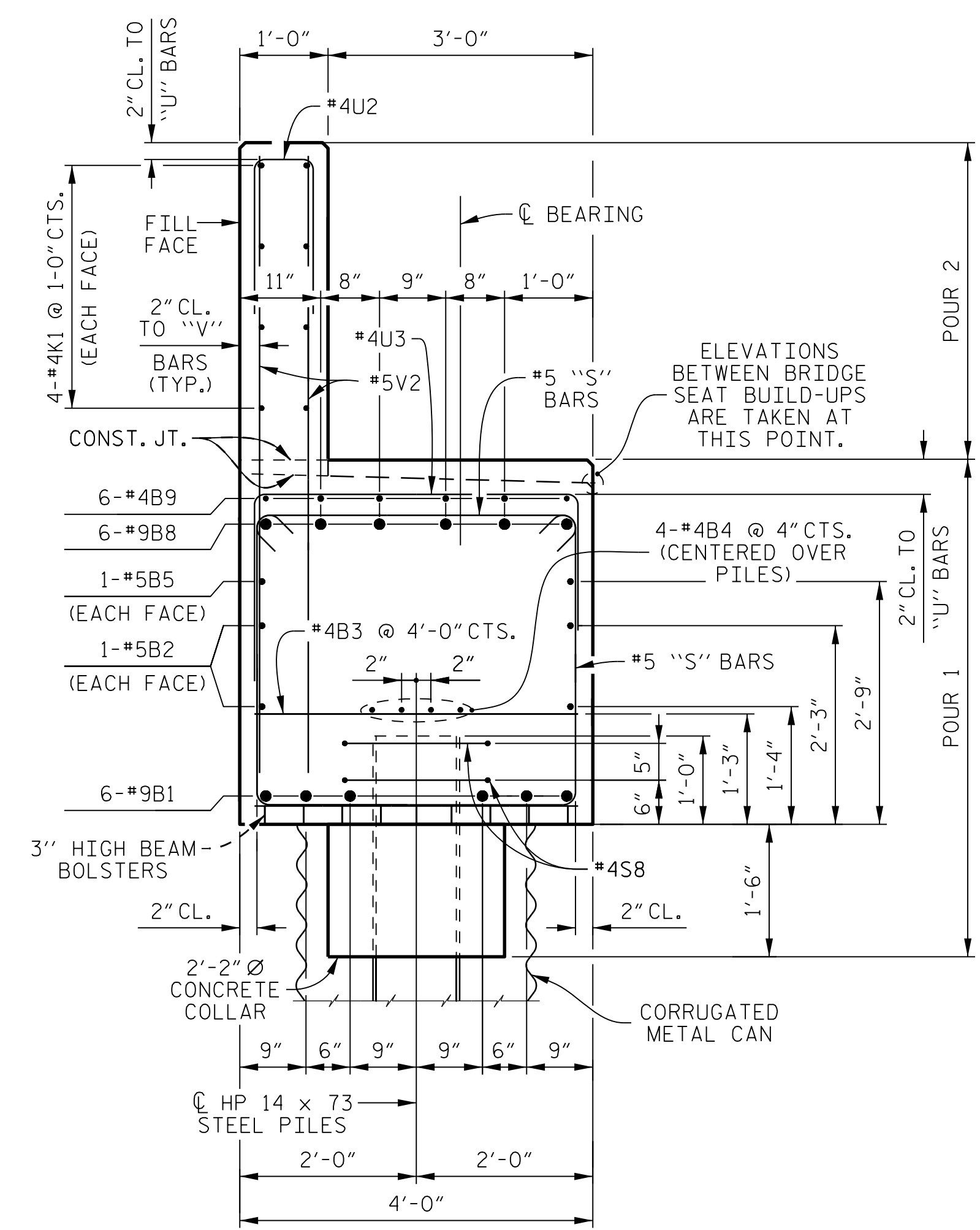
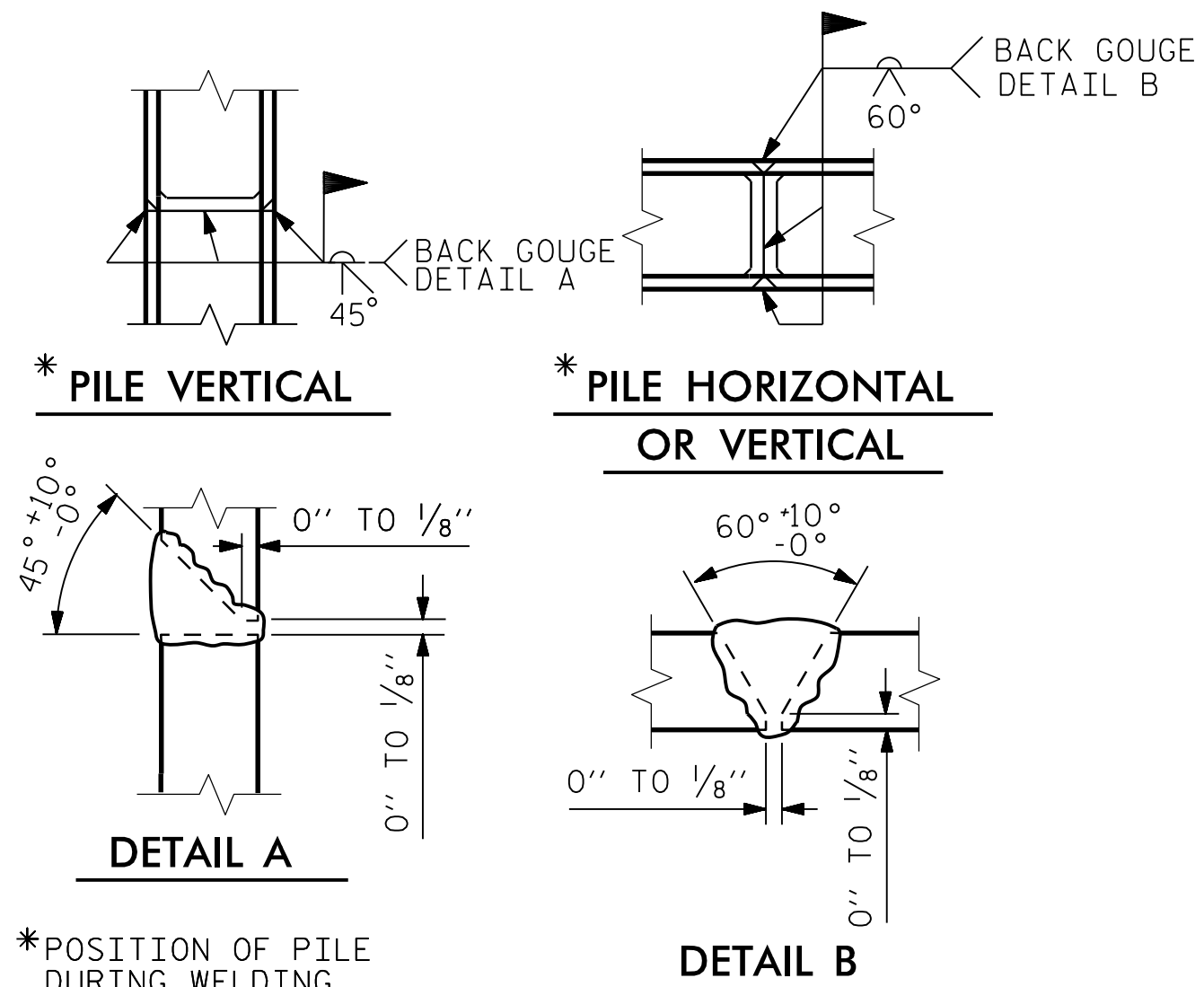
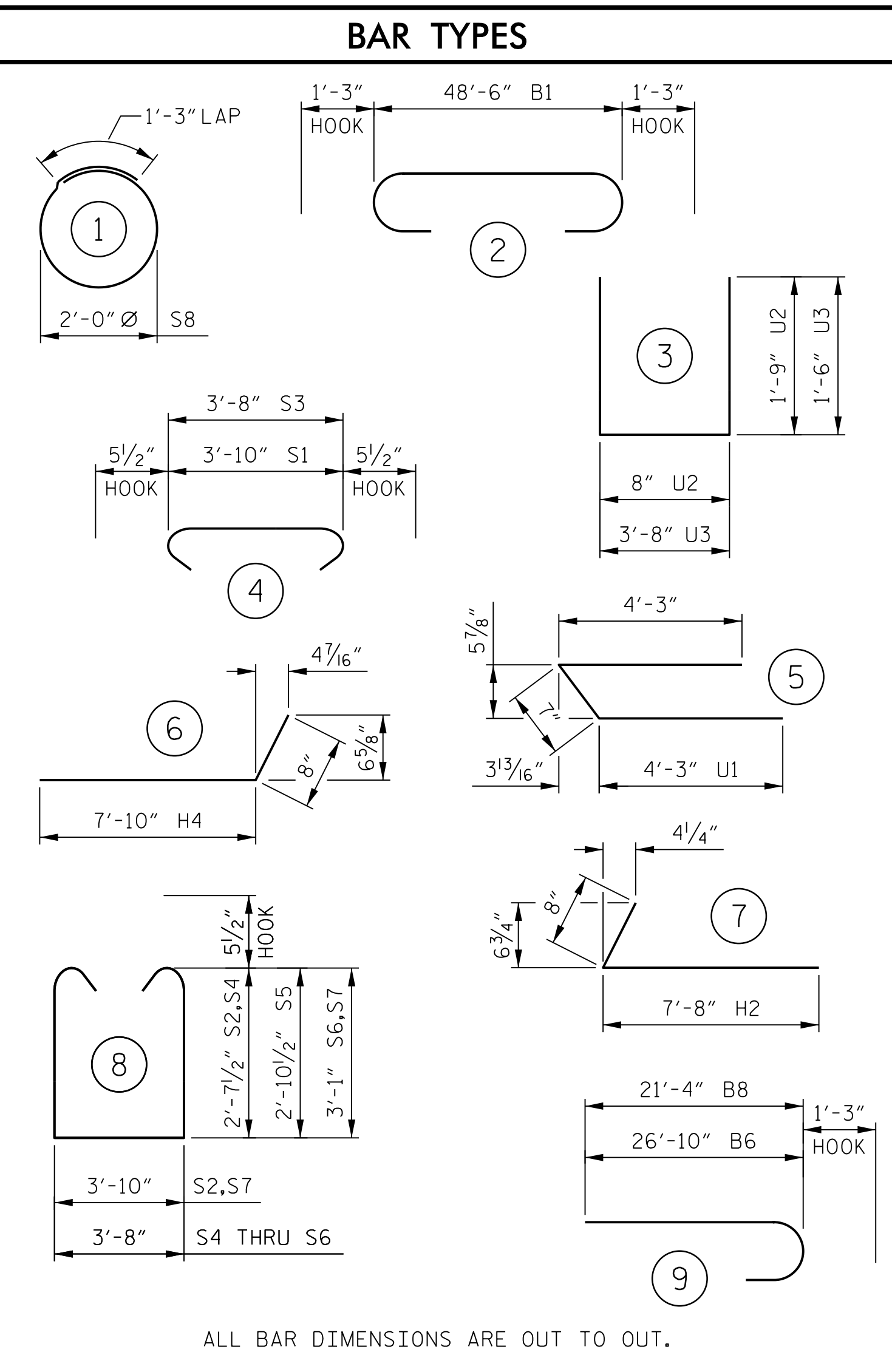


SECTION A-A

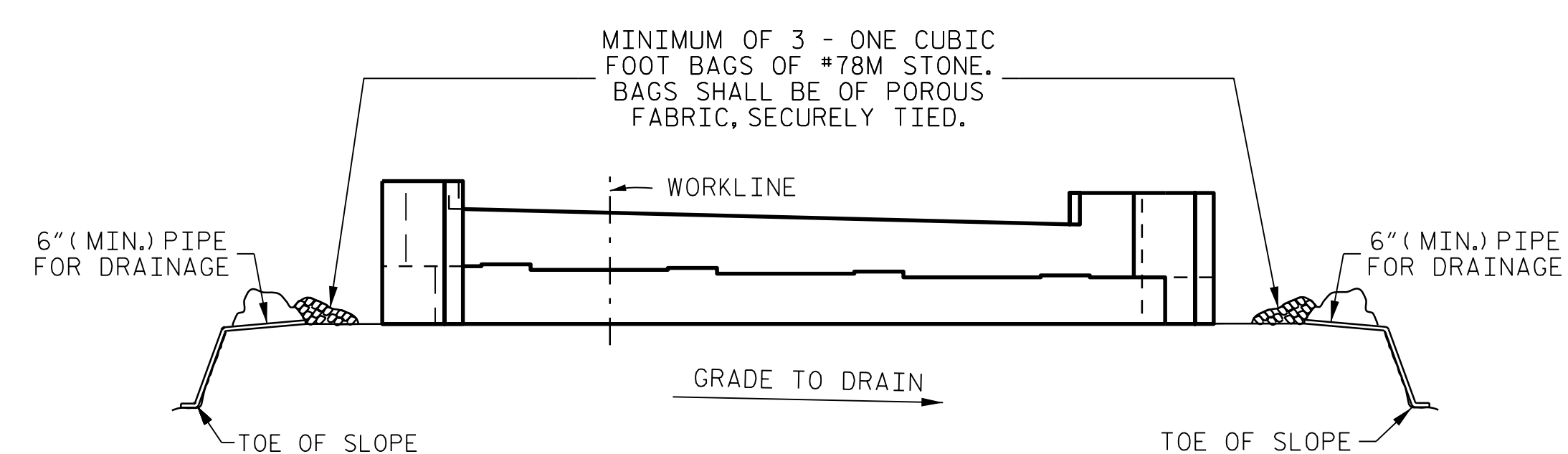


SECTION B-B

BILL OF MATERIAL					
END BENT 2					
BAR No.	SIZE	TYPE	LENGTH	WEIGHT	
B1	6	#9	2	51'-0"	1,040
B2	4	#5	STR	48'-6"	202
B3	14	#4	STR	3'-8"	34
B4	8	#4	STR	25'-6"	136
B5	2	#5	STR	17'-6"	37
B6	6	#9	9	28'-1"	573
B7	6	#9	STR	22'-0"	449
B8	6	#9	9	22'-7"	461
B9	6	#4	STR	7'-0"	28
H1	8	#5	STR	7'-8"	64
H2	12	#5	7	8'-4"	104
H3	6	#5	STR	7'-10"	49
H4	12	#5	6	8'-6"	106
K1	16	#4	STR	25'-6"	273
S1	6	#5	4	4'-9"	30
S2	3	#5	8	10'-0"	31
S3	42	#5	4	4'-7"	201
S4	13	#5	8	9'-10"	133
S5	12	#5	8	10'-4"	129
S6	17	#5	8	10'-9"	191
S7	3	#5	8	10'-11"	34
S8	16	#4	1	7'-7"	81
U1	4	#4	5	9'-1"	24
U2	40	#4	3	4'-2"	111
U3	6	#4	3	6'-10"	27
V1	26	#5	STR	8'-10"	240
V2	20	#5	STR	6'-2"	515
V3	86	#5	STR	8'-1"	219
REINFORCING STEEL			5,522 LBS.		
CLASS "A" CONCRETE					
POUR 1 COLLARS, CAP AND LOWER WINGS			27.5 CU. YDS.		
POUR 2 BACKWALL AND UPPER WINGS			11.1 CU. YDS.		
TOTAL			38.6 CU. YDS.		
HP 14 x 73 STEEL PILES			8 REQUIRED 580.0 LIN. FT.		
PILE DRIVING EQUIPMENT SETUP FOR HP14X73 STEEL PILES			8 EACH		



PILE SPICE DETAILS



MINIMUM OF 3 - ONE CUBIC FOOT BAGS OF #78M STONE. BAGS SHALL BE OF POROUS FABRIC, SECURELY TIED.

BAGGED STONE AND PIPE SHALL BE PLACED IMMEDIATELY AFTER COMPLETION OF END BENT EXCAVATION. PIPE MAY BE EITHER CONCRETE, CORRUGATED STEEL, CORRUGATED ALUMINUM ALLOY, OR CORRUGATED PLASTIC. PERFORATED PIPE WILL NOT BE ALLOWED.

BAGGED STONE SHALL REMAIN IN PLACE UNTIL THE ENGINEER DIRECTS THAT IT BE REMOVED. THE CONTRACTOR SHALL REMOVE AND DISPOSE OF SILT ACCUMULATIONS AT BAGGED STONE WHEN SO DIRECTED BY THE ENGINEER. BAGS SHALL BE REMOVED AND REPLACED WHENEVER THE ENGINEER DETERMINES THAT THEY HAVE DETERIORATED AND LOST THEIR EFFECTIVENESS.

NO SEPARATE PAYMENT WILL BE MADE FOR THIS WORK AND THE ENTIRE COST OF THIS WORK SHALL BE INCLUDED IN THE UNIT CONTRACT PRICE FOR THE SEVERAL PAY ITEMS.

TEMPORARY DRAINAGE AT END BENT

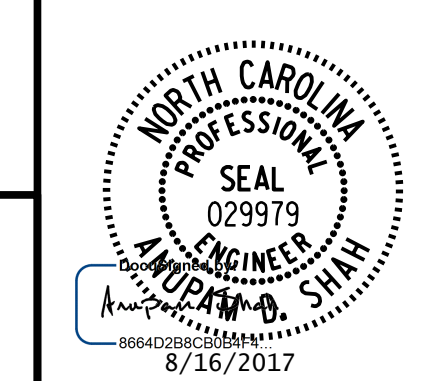
PROJECT NO. **I-4729A**
POLK COUNTY
 STATION: **22+87.20 -RP E-**

SHEET 3 OF 3

STATE OF NORTH CAROLINA
 DEPARTMENT OF TRANSPORTATION
 RALEIGH

SUBSTRUCTURE
 END BENT 2

DOCUMENT NOT CONSIDERED FINAL
 UNLESS ALL SIGNATURES COMPLETED



PLANS PREPARED BY:
PARSONS
 5540 Centerview Drive, Suite 217
 Raleigh, NC 27606-3386
 NC LICENSE No. F-0246

DRAWN BY: **K. E. LOFTON** DATE: **6-17**
 CHECKED BY: **D. PRETORIUS** DATE: **7-17**
 DESIGN ENGINEER: **A. D. SHAH** DATE: **8-17**

REVISIONS						SHEET No.	
No.	BY:	DATE:	No.	BY:	DATE:	TOTAL SHEETS	
1			3			24	
2			4			24	