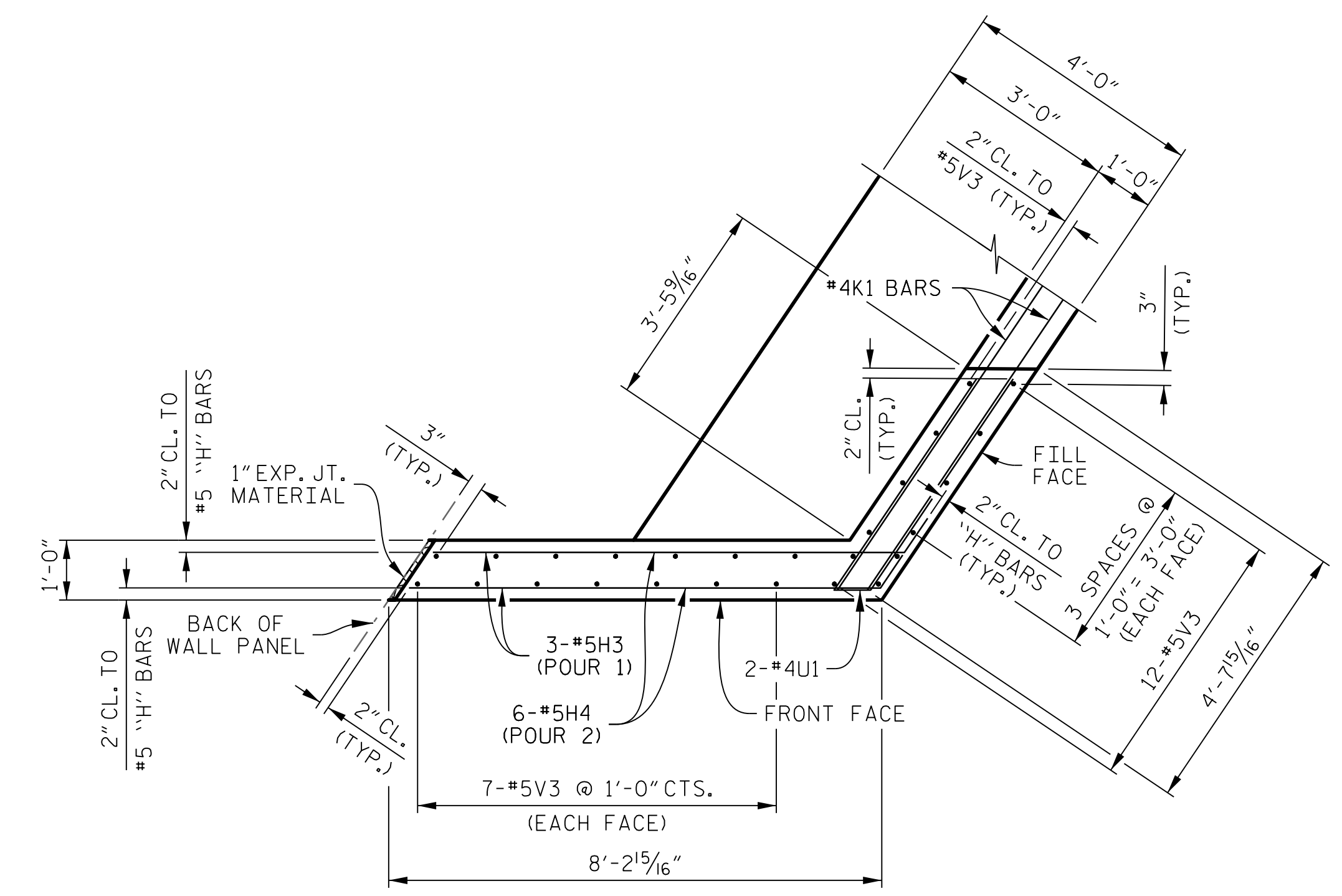
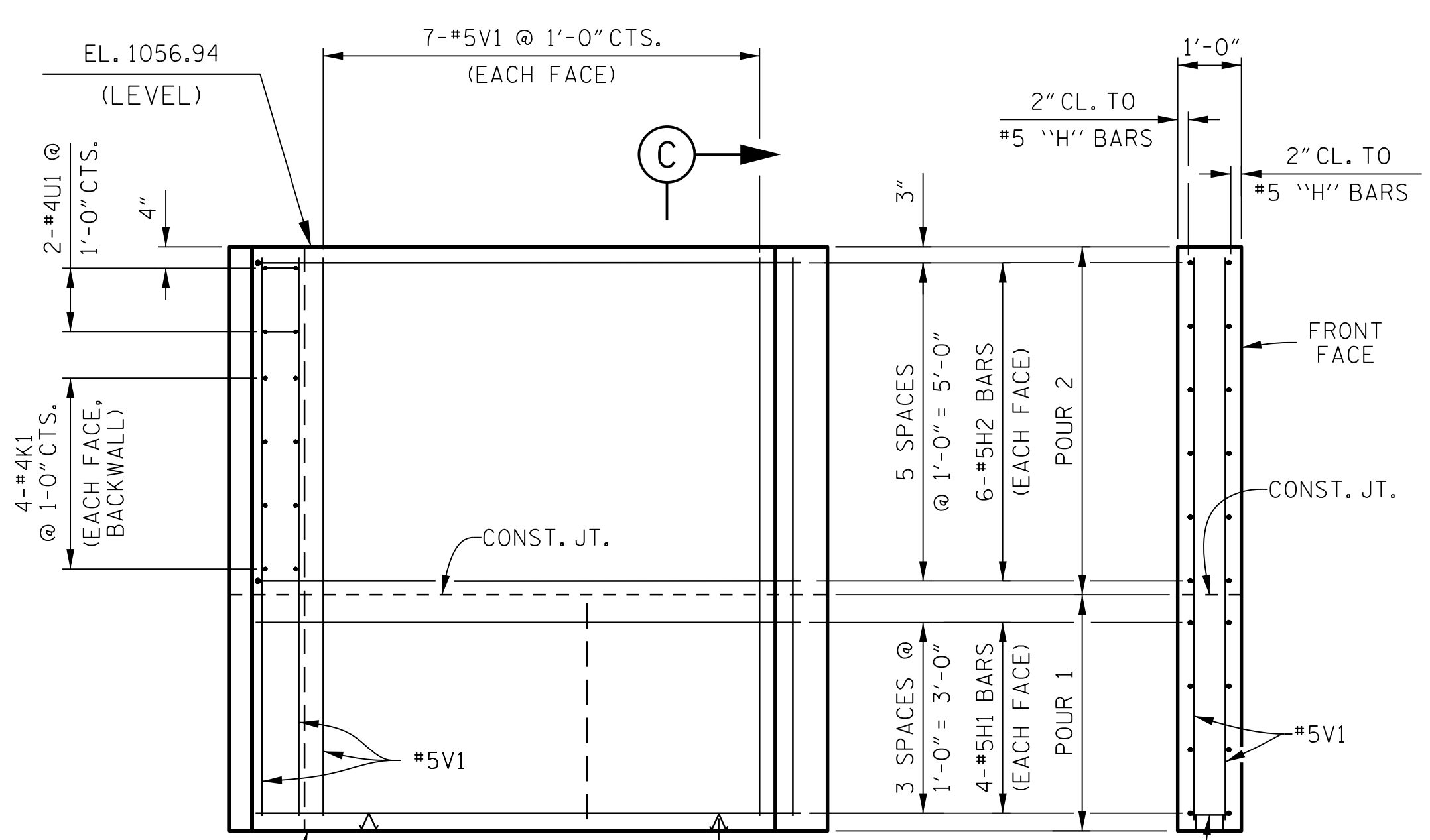


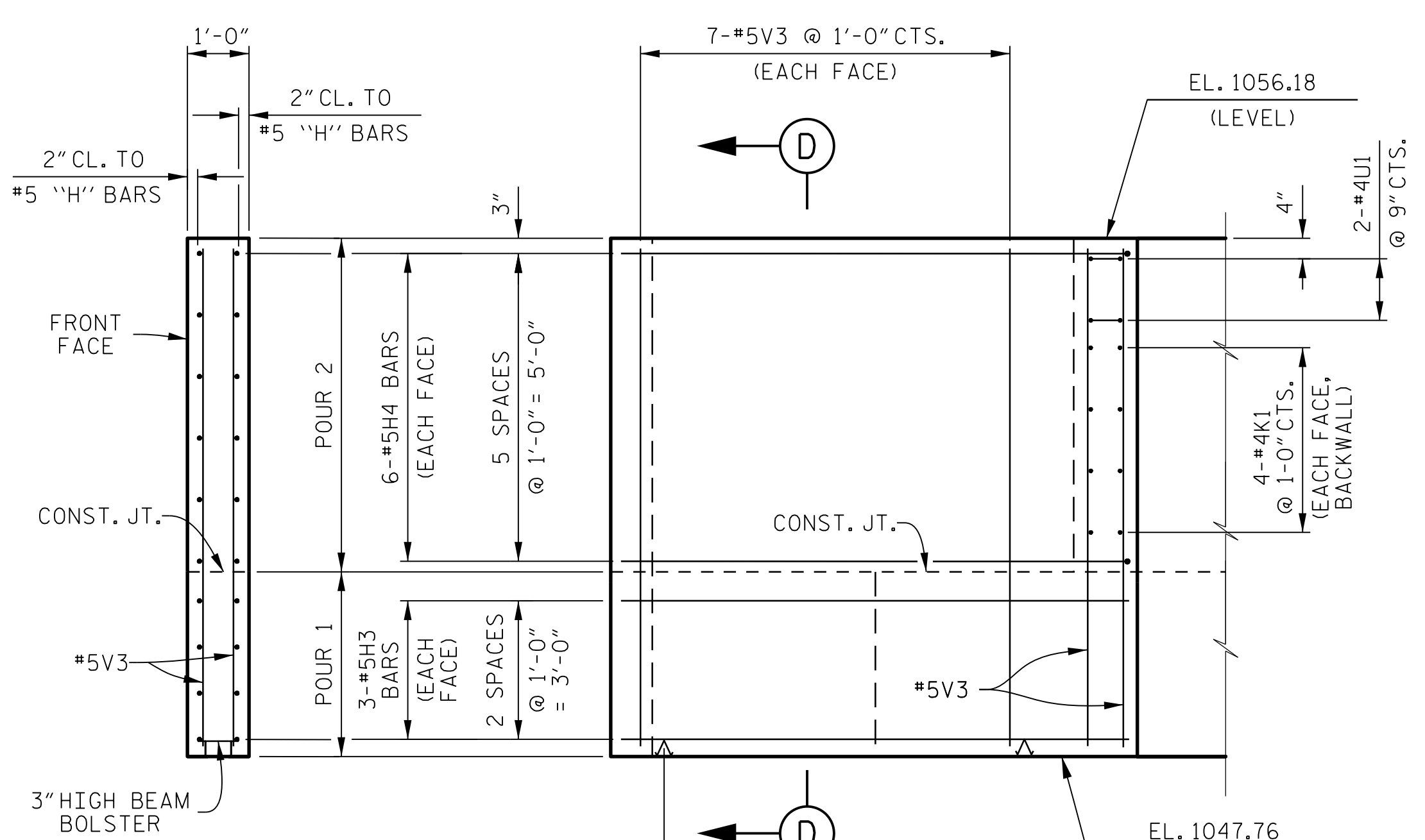
PLAN OF WING W3



PLAN OF WING W4

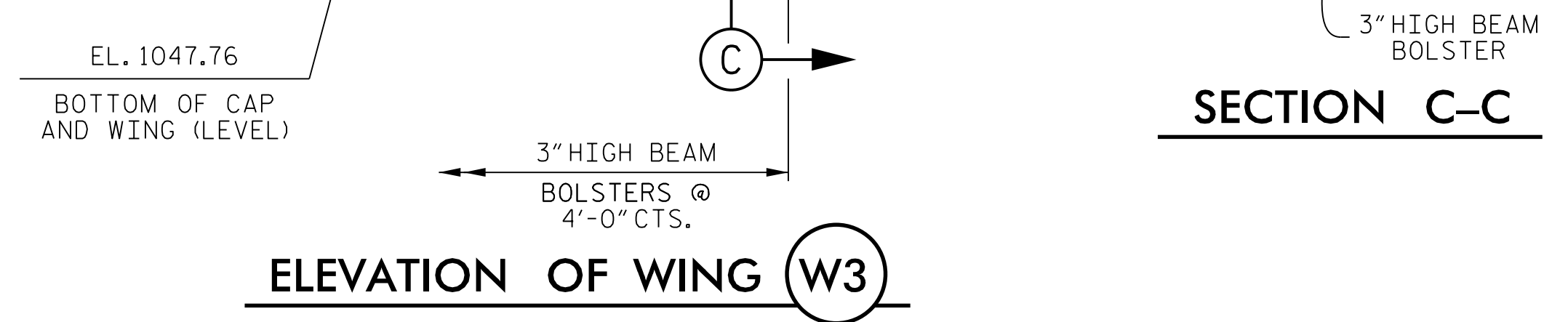


SECTION C-C



SECTION D-D

ELEVATION OF WING W4



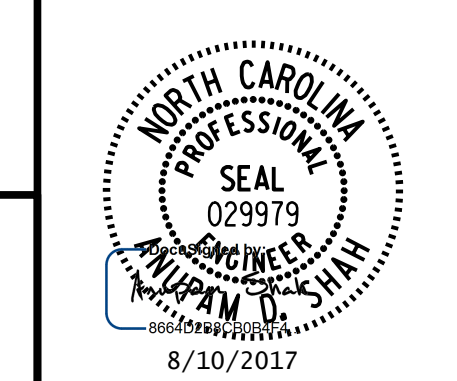
ELEVATION OF WING W3

PROJECT NO. I-4729A
 POLK COUNTY
 STATION: 22 + 87.20 -RP E-

SHEET 2 OF 3

STATE OF NORTH CAROLINA
 DEPARTMENT OF TRANSPORTATION
 RALEIGH
 SUBSTRUCTURE
 END BENT 2

DOCUMENT NOT CONSIDERED FINAL
 UNLESS ALL SIGNATURES COMPLETED



PLANS PREPARED BY:
PARSONS
 5540 CenterView Drive, Suite 217
 Raleigh, NC 27606-3386
 NC LICENSE No. F-0246

DRAWN BY: K. E. LOFTON DATE: 6-17
 CHECKED BY: D. PRETORIUS DATE: 7-17
 DESIGN ENGINEER: A. D. SHAH DATE: 8-17

REVISIONS						SHEET No.	
No.	BY:	DATE:	No.	BY:	DATE:	TOTAL SHEETS	
1			3			24	
2			4				

FILE: I:\I-4729A\Drawings\Substructure\Final\BP_EI-I4729A_smo_srl_4022.dgn
 DATE: 8/10/2017 10:58:19 AM