

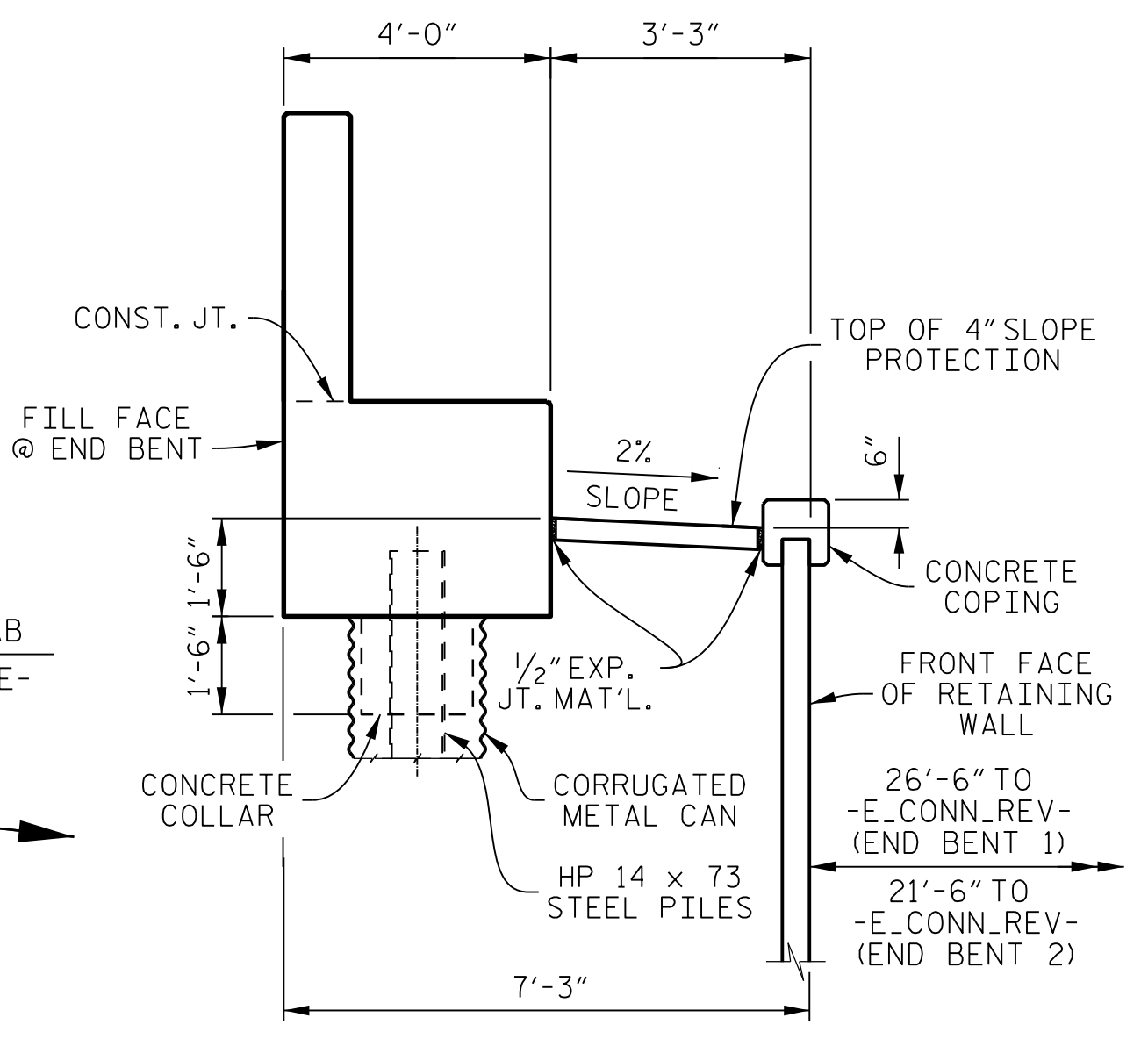
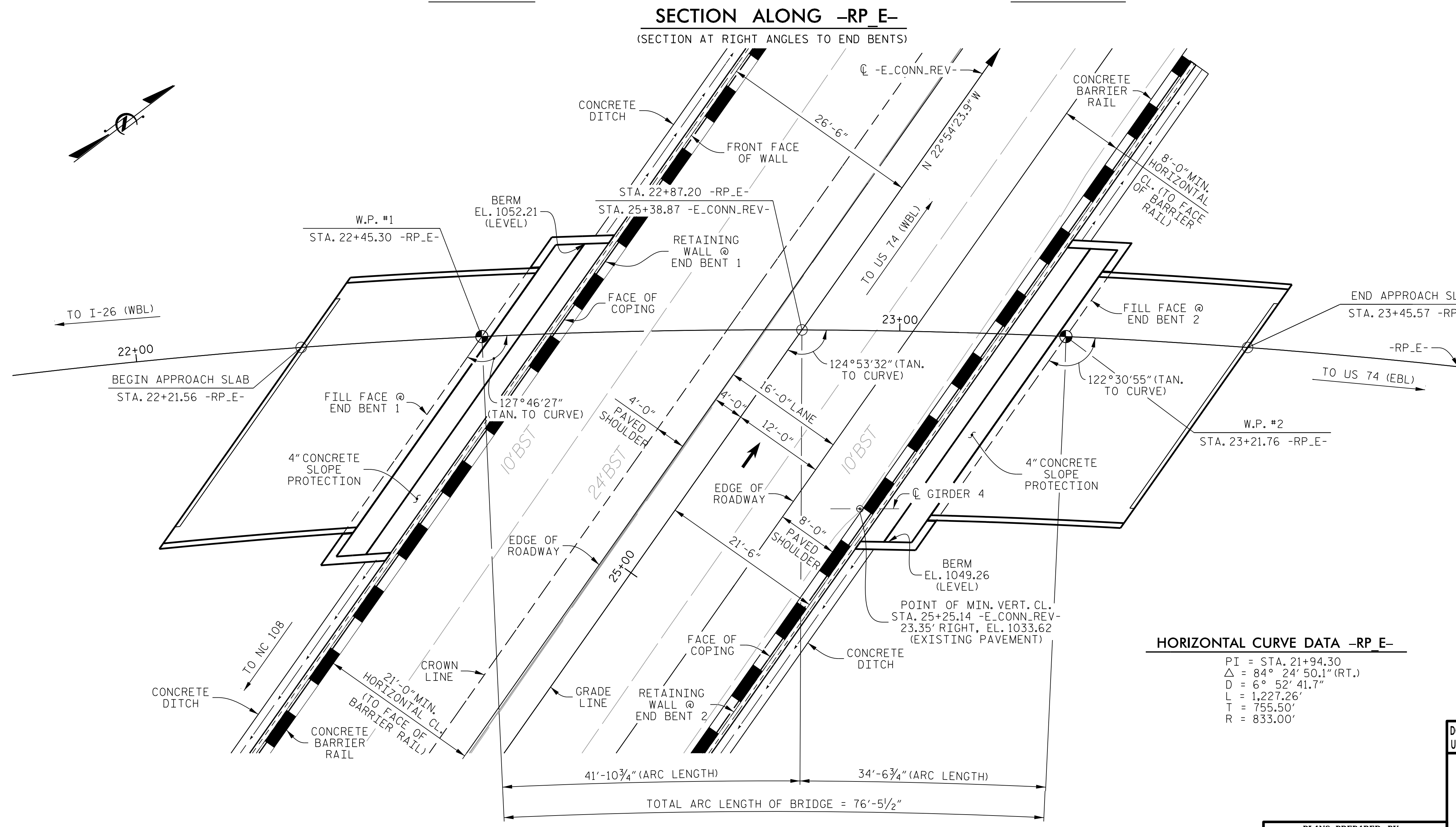
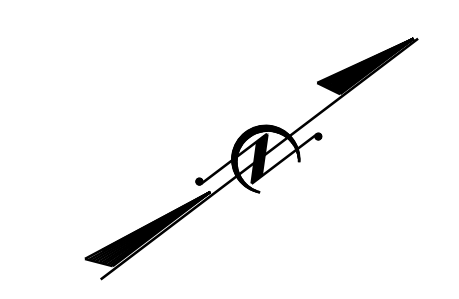
P.V.I. = STA. 21+90.00
 EL. = 1,063.86'
 V.C. = 255.00'

P.V.I. = STA. 13+90.00
 EL. = 1,027.87'
 V.C. = 670.00'

GRADE DATA -RP E-
 (+)3.0000% (-)5.7000%

GRADE DATA -E_CONN_REV-
 (-)4.8900% (+)0.5700%

FOR NOTES, SEE SHEET 4 OF 4.



HORIZONTAL CURVE DATA -RP E-

PI = STA. 21+94.30
 Δ = 84° 24' 50.1" (RT.)
 D = 6° 52' 41.7"
 L = 1,227.26'
 T = 755.50'
 R = 833.00'

PROJECT NO. **I-4729A**
POLK COUNTY
 STATION: **22 + 87.20 -RP E-**
25 + 38.87 -E_CONN_REV-
 SHEET 1 OF 4 BRIDGE No. 740232

STATE OF NORTH CAROLINA
 DEPARTMENT OF TRANSPORTATION
 RALEIGH
GENERAL DRAWING
BRIDGE OVER
RAMP (-E_CONN_REV-) ON
RAMP (-RP E-) BETWEEN
I-26 AND US 74

DOCUMENT NOT CONSIDERED FINAL
 UNLESS ALL SIGNATURES COMPLETED



PLANS PREPARED BY:
PARSONS
 5540 CenterView Drive, Suite 217
 Raleigh, NC 27606-3386
 NC LICENSE No. F-0246

DRAWN BY: K. E. LOFTON DATE: 5-17
 CHECKED BY: A. D. SHAH DATE: 7-17
 DESIGN ENGINEER: A. D. SHAH DATE: 8-17

REVISIONS						SHEET No. S1-1
No.	BY:	DATE:	No.	BY:	DATE:	
1			3			TOTAL SHEETS 24
2			4			

FILE: I:\Projects\Instruments\Drawings\Final\RP E-1-4729A.dwg, srf1.grd, dgn
 DATE: 8/10/2017 10:05:59 AM

PLAN
 METAL CANS AND PILES NOT SHOWN IN PLAN VIEW.