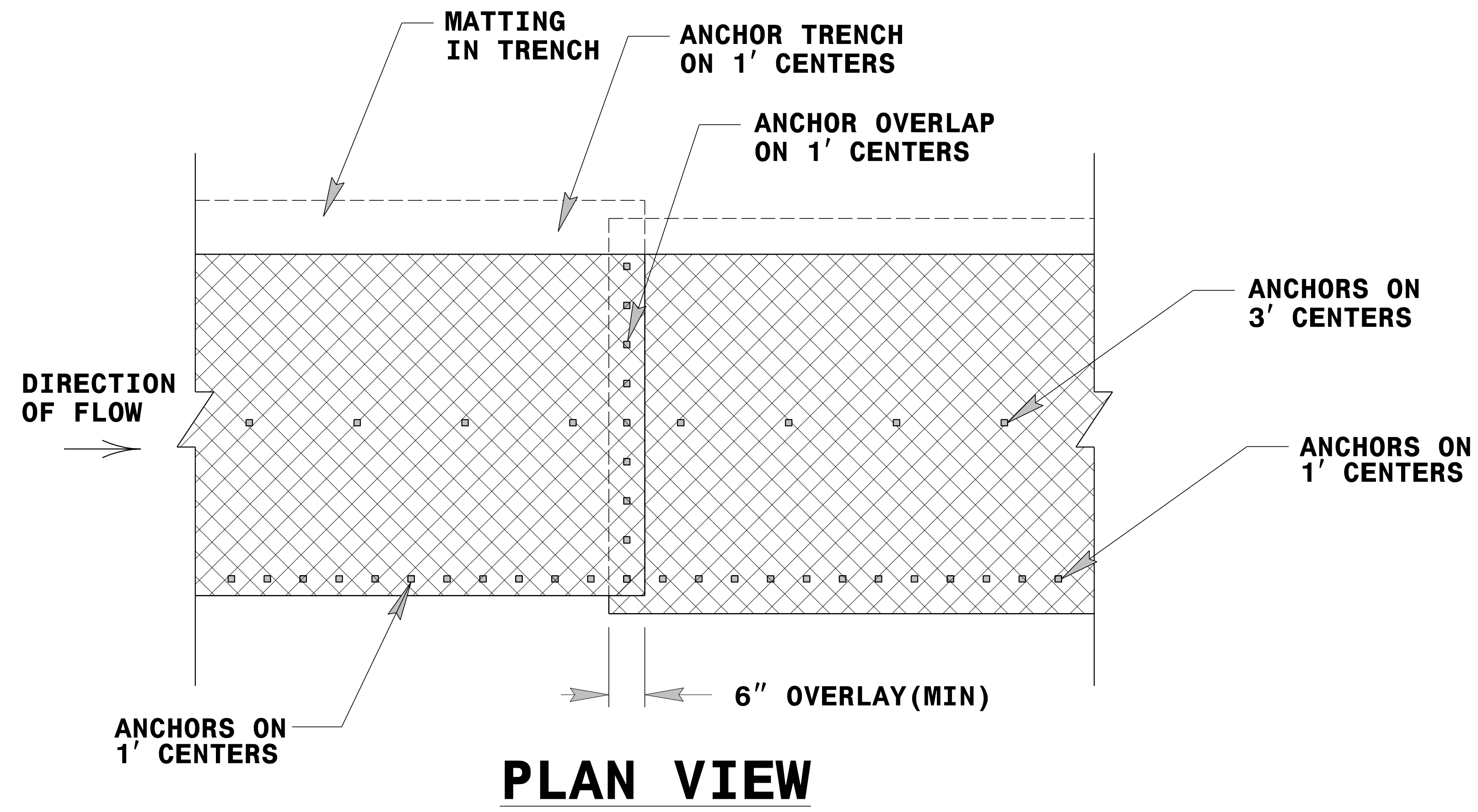
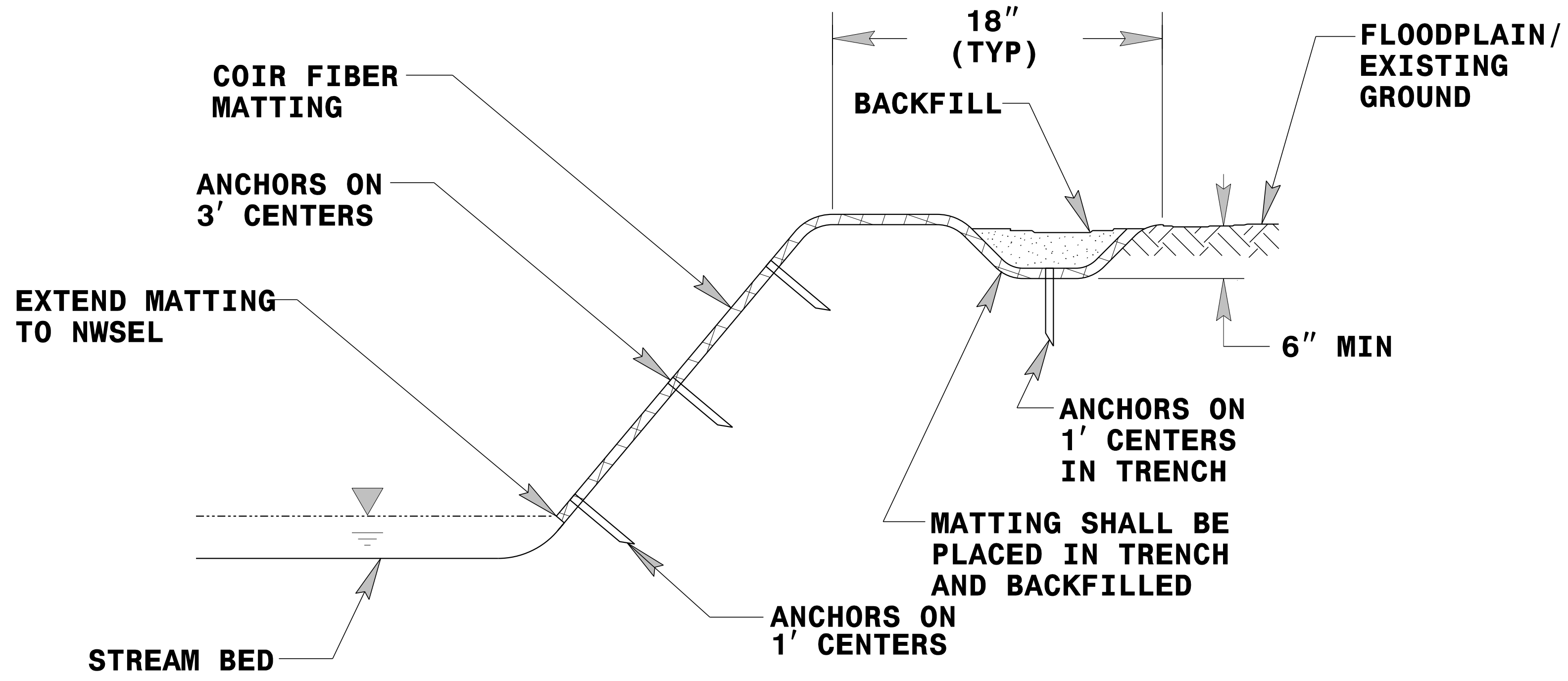


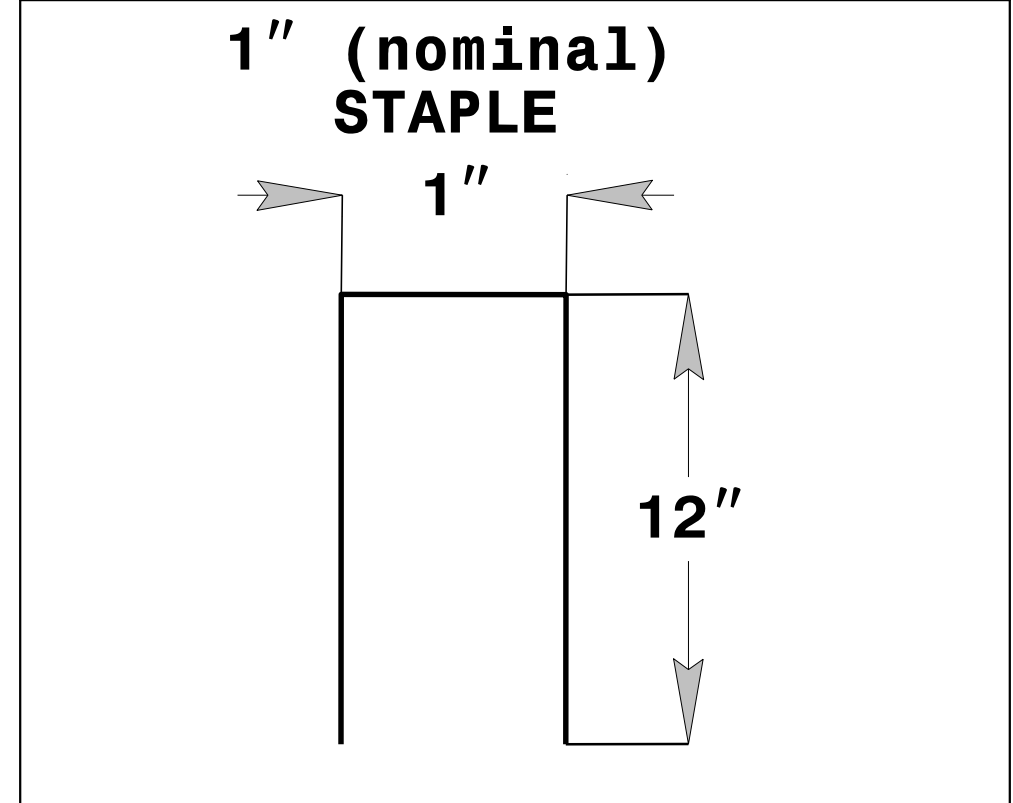
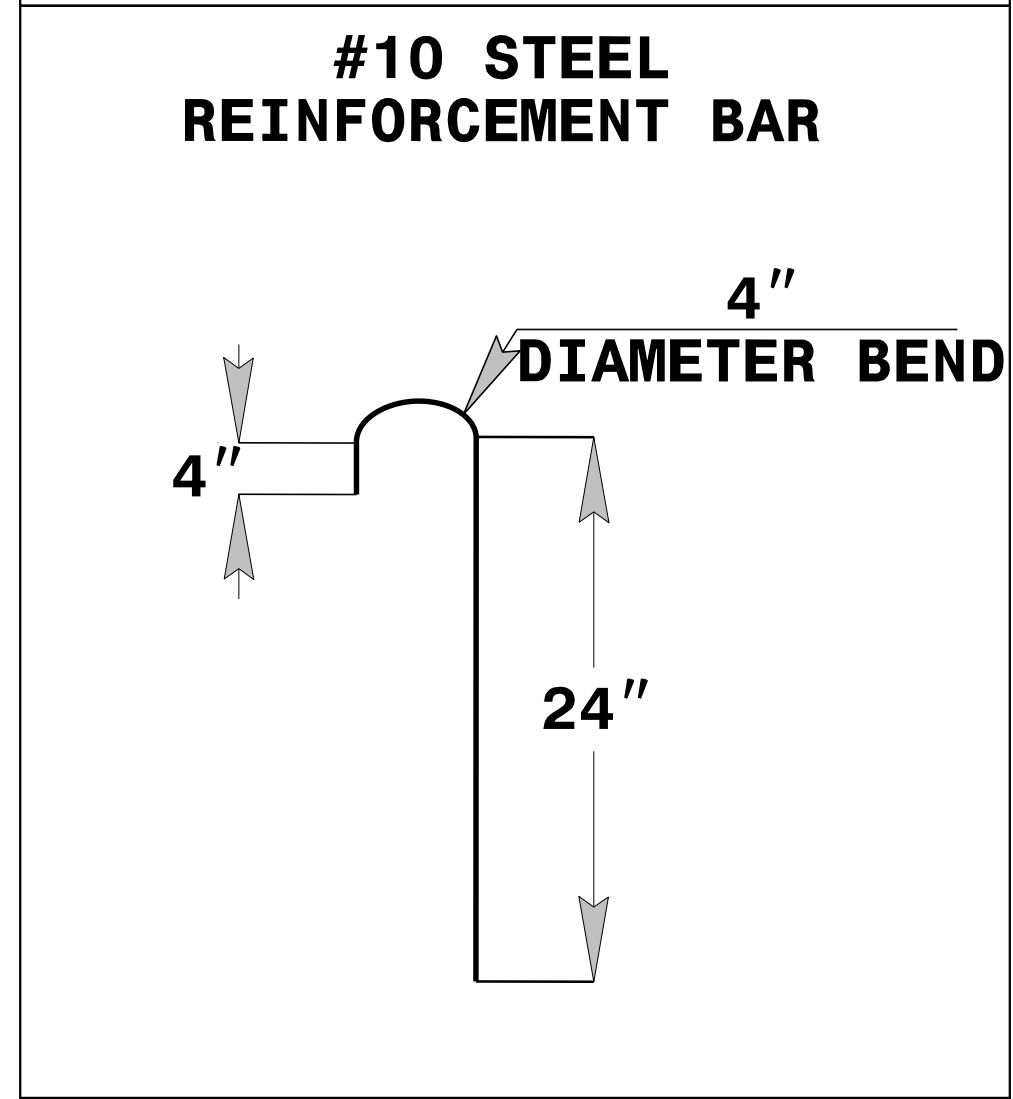
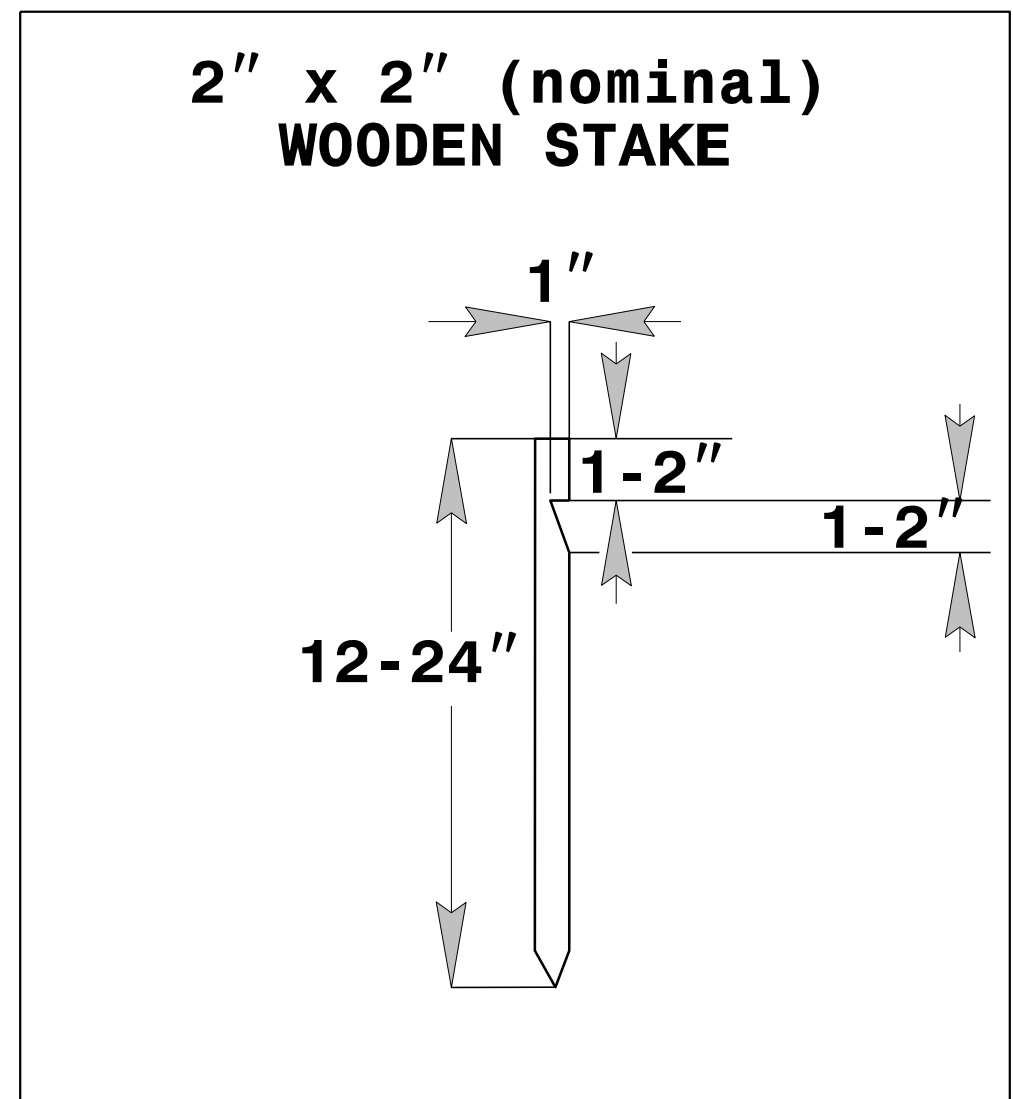
PROJECT REFERENCE NO. 1-4729A	SHEET NO. RF-3
RW SHEET NO.	
ROADWAY DESIGN ENGINEER	HYDRAULICS ENGINEER



PLAN VIEW



TYPICAL CROSS SECTION



ANCHOR OPTIONS

COIR FIBER MATTING DETAIL

NOT TO SCALE