

GEOTECHNICAL ENGINEER

ENGINEER

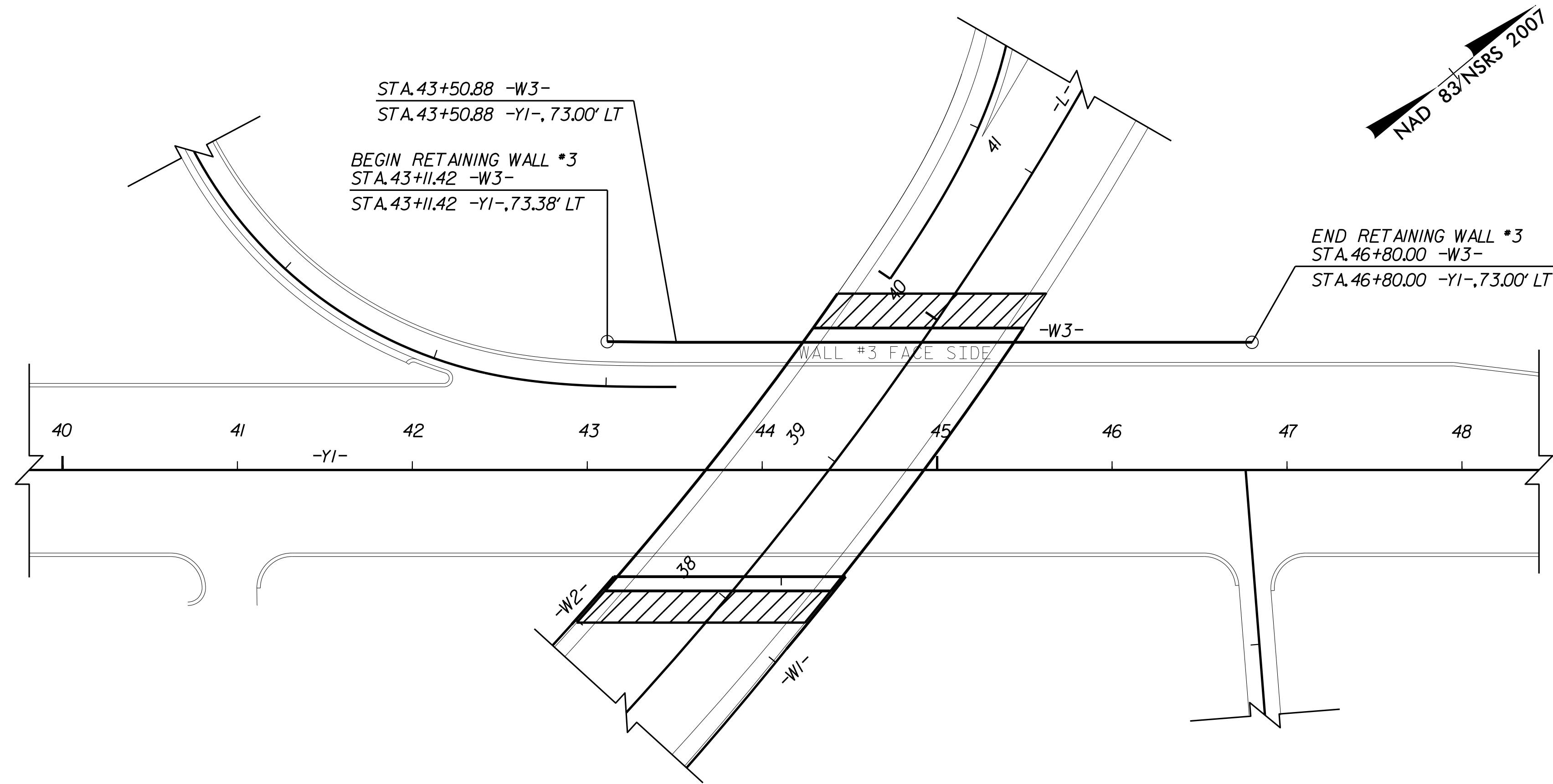
SEAL 032171

6/5/2017

DATE

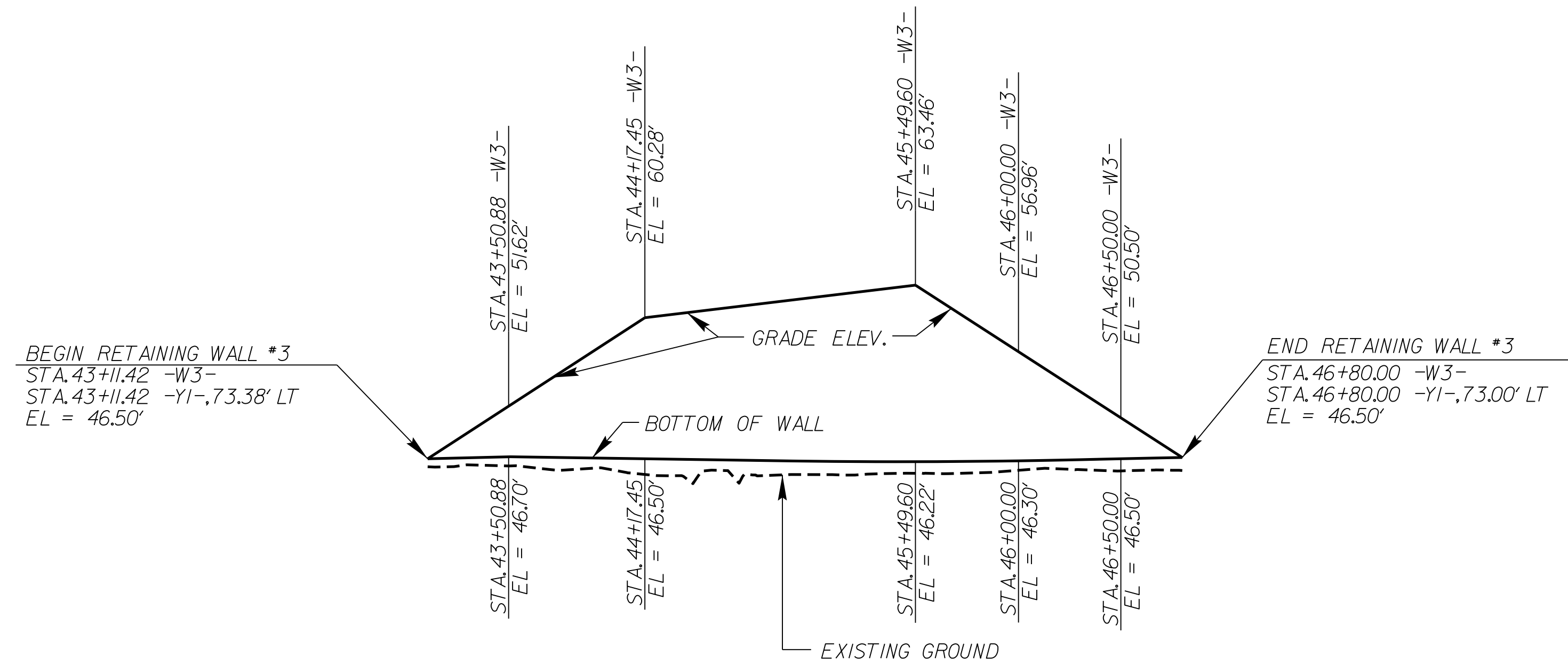
SIGNATURE

DATE



PLAN VIEW FOR RETAINING WALL NO. 3
N.T.S.

ESTIMATED MSE WALL QUANTITY	
MSE RETAINING WALL NO. 3	5,200 SF



WALL ENVELOPE FOR RETAINING WALL NO. 3
EXPOSED WALL FACE VIEW, N.T.S.
THE WALL ENVELOPE DOES NOT ACCURATELY
DEPICT THE ACTUAL FACE OF THE WALL

PROJECT NO.: U-4751
NEW HANOVER COUNTY
STATION: 43+50.00 -Y1-
SHEET 3 OF 13

NORTH CAROLINA
DEPARTMENT OF TRANSPORTATION
DIVISION OF HIGHWAYS

GEOTECHNICAL
ENGINEERING UNIT

MSE RETAINING WALL NO. 3
PLAN VIEW AND
WALL ENVELOPE

REVISIONS						SHEET NO. W-3
NO.	BY	DATE	NO.	BY	DATE	
1	-	-	3	-	-	
2	-	-	4	-	-	

PREPARED BY: J. PARK	DATE: 06 / 2017
REVIEWED BY: J. BATTS	DATE: 06 / 2017