

**STRUCTURAL STEEL NOTES**

ALL INTERMEDIATE DIAPHRAGM STEEL AND CONNECTOR PLATES SHALL BE AASHTO M270 GRADE 50 OR APPROVED EQUAL.

TENSION ON THE ASTM A325 BOLTS THROUGH THE ANGLE MEMBER SHALL BE CALIBRATED USING DIRECT TENSION INDICATOR WASHERS IN ACCORDANCE WITH THE STANDARD SPECIFICATIONS.

TENSION ON THE ASTM A449 BOLTS THROUGH THE GIRDER WEB SHALL BE SNUG TIGHTENED FOLLOWED BY AN ADDITIONAL 1/4 TURN.

THE PLATES, BENT PLATES, AND ANGLES SHALL BE GALVANIZED OR METALLIZED IN ACCORDANCE WITH THE STANDARD SPECIFICATIONS. FOR THERMAL SPRAYED COATINGS (METALLIZATION), SEE SPECIAL PROVISIONS.

FOR METALLIZATION, APPLY AN 8 MIL THICK 99.99 PERCENT ZINC (W-Zn-1) THERMAL SPRAYED COATING WITH A 0.5 MIL THICK SEAL COAT TO ALL STEEL DIAPHRAGM SURFACES IN ACCORDANCE WITH THE THERMAL SPRAYED COATINGS SPECIAL PROVISION AND SECTION 442 OF THE STANDARD SPECIFICATIONS.

GALVANIZE THE HIGH STRENGTH BOLTS, NUTS, WASHERS AND DIRECT TENSION INDICATORS IN ACCORDANCE WITH THE STANDARD SPECIFICATIONS.

USE AN ASTM F436 HARDENED WASHER WITH STANDARD AND SLOTTED HOLES UNDER EACH BOLT HEAD AND NUT.

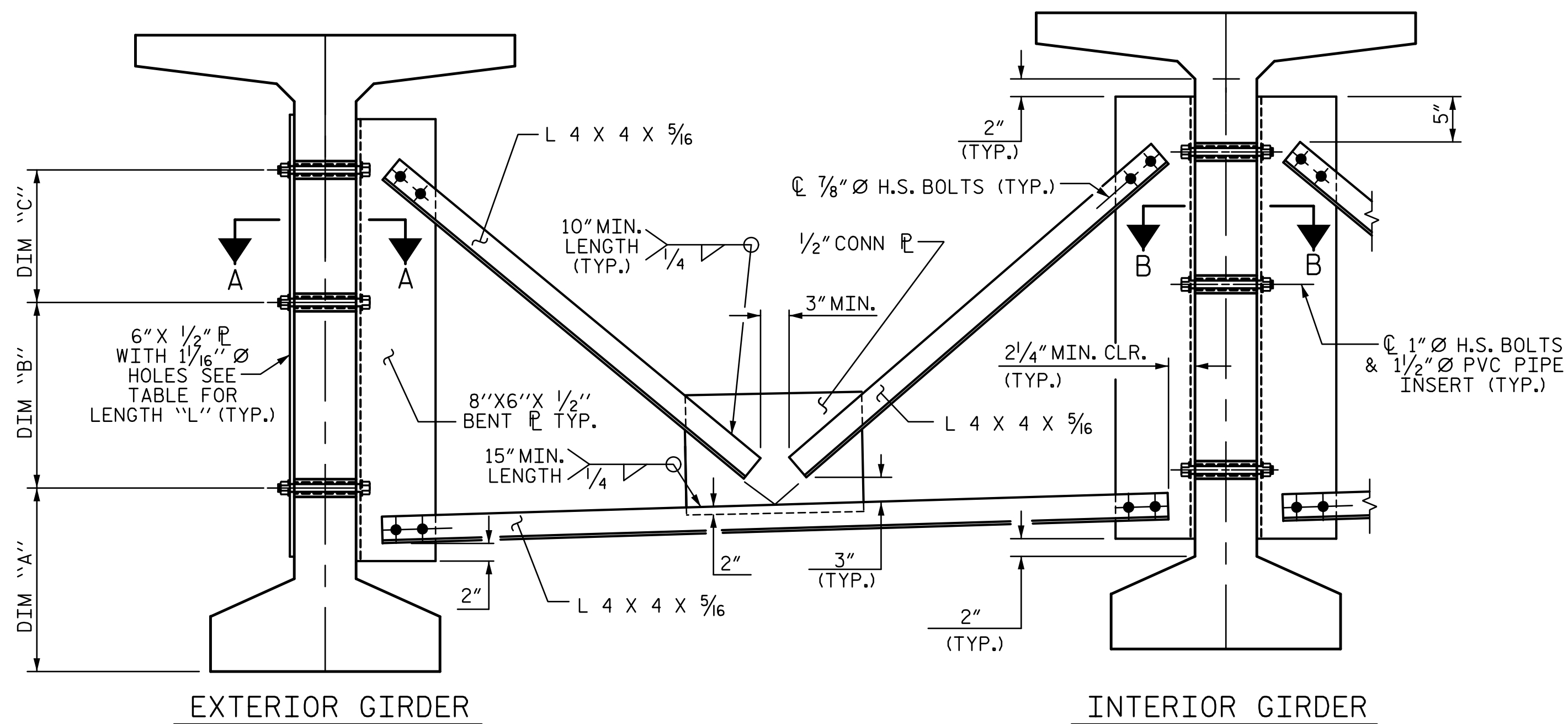
FOR BOLTS THROUGH THE GIRDER WEB, PROVIDE SUFFICIENT LENGTH OF THREADS ON ALL BOLTS TO ACCOMMODATE WASHERS AND THE THICKNESS OF CONNECTING MEMBER PLUS AT LEAST 1/4" PROJECTION BEYOND THE NUT.

INTERMEDIATE DIAPHRAGM ASSEMBLY SHALL COMPLY WITH SECTION 1072 OF THE STANDARD SPECIFICATIONS.

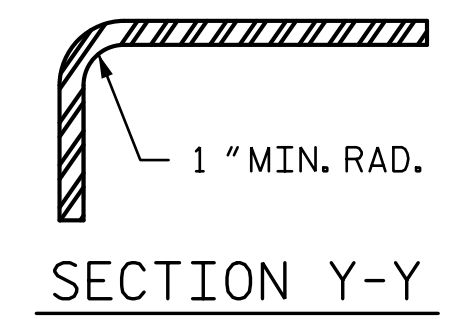
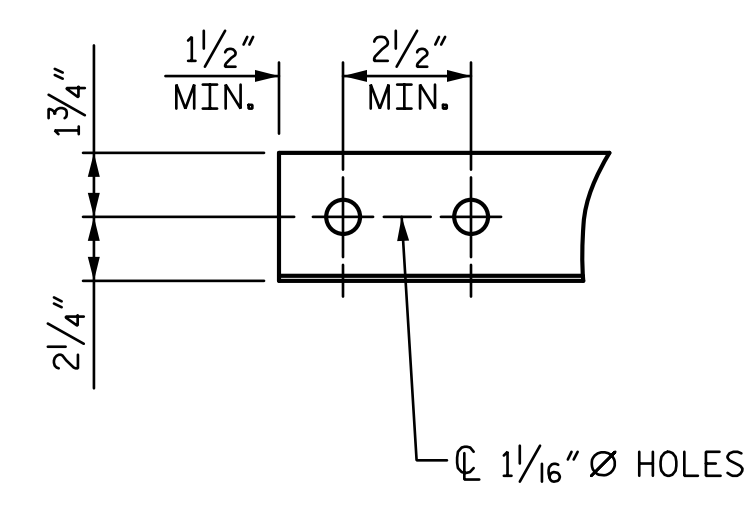
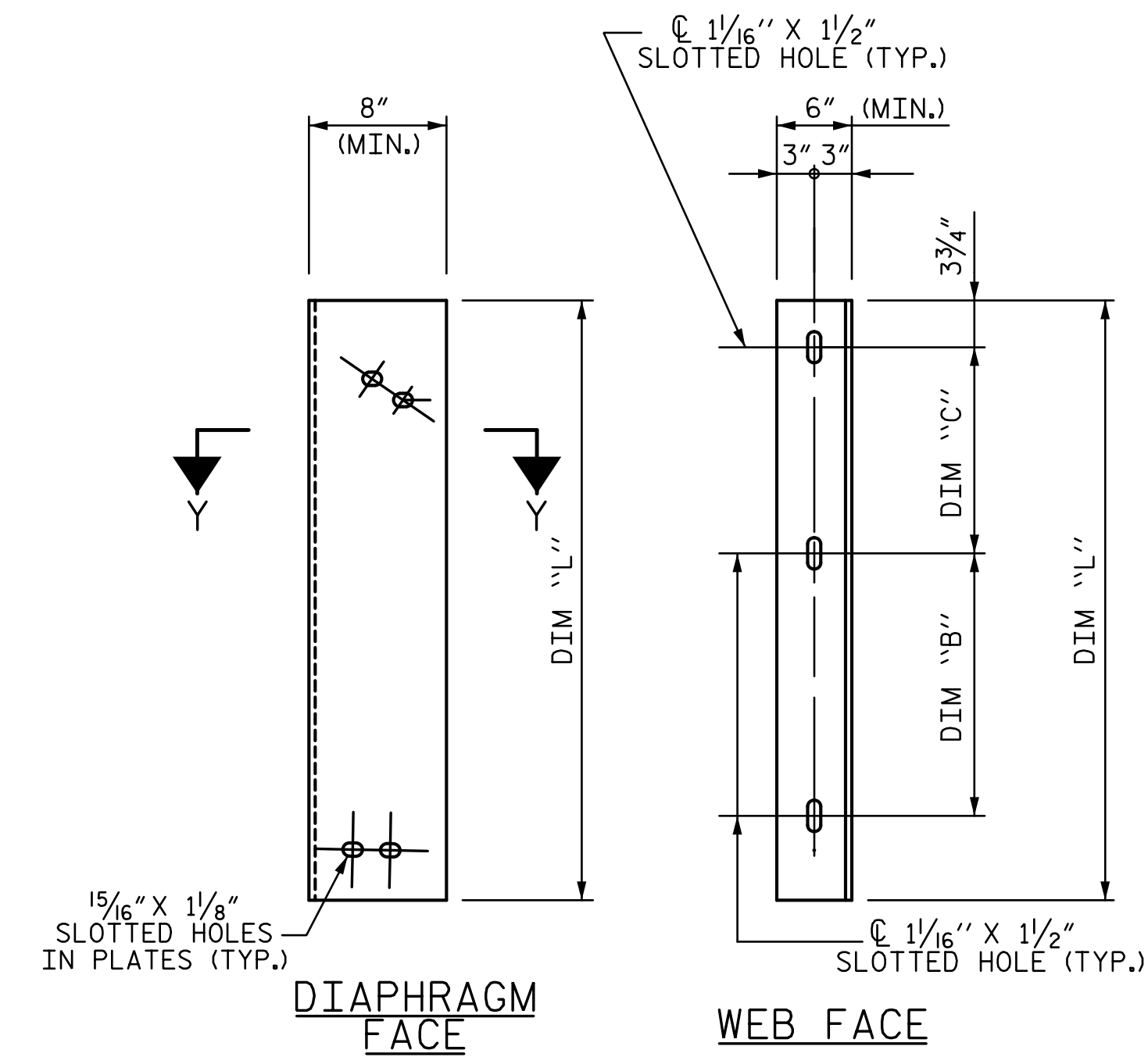
SUBMIT TWO SETS OF WORKING DRAWINGS FOR THE INTERMEDIATE DIAPHRAGM ASSEMBLY FOR REVIEW, COMMENTS AND ACCEPTANCE. AFTER REVIEW, COMMENTS, AND ACCEPTANCE, SUBMIT SEVEN SETS FOR DISTRIBUTION.

IN THE EXTERIOR BAYS, PLACE TEMPORARY STRUTS BETWEEN PRESTRESSED GIRDERS ADJACENT TO THE STEEL DIAPHRAGMS. STRUTS SHALL REMAIN IN PLACE 3 DAYS AFTER CONCRETE IS PLACED.

THE COST OF THE STEEL DIAPHRAGMS AND ASSEMBLIES SHALL BE INCLUDED IN THE UNIT PRICE BID FOR PRESTRESSED CONCRETE GIRDERS.



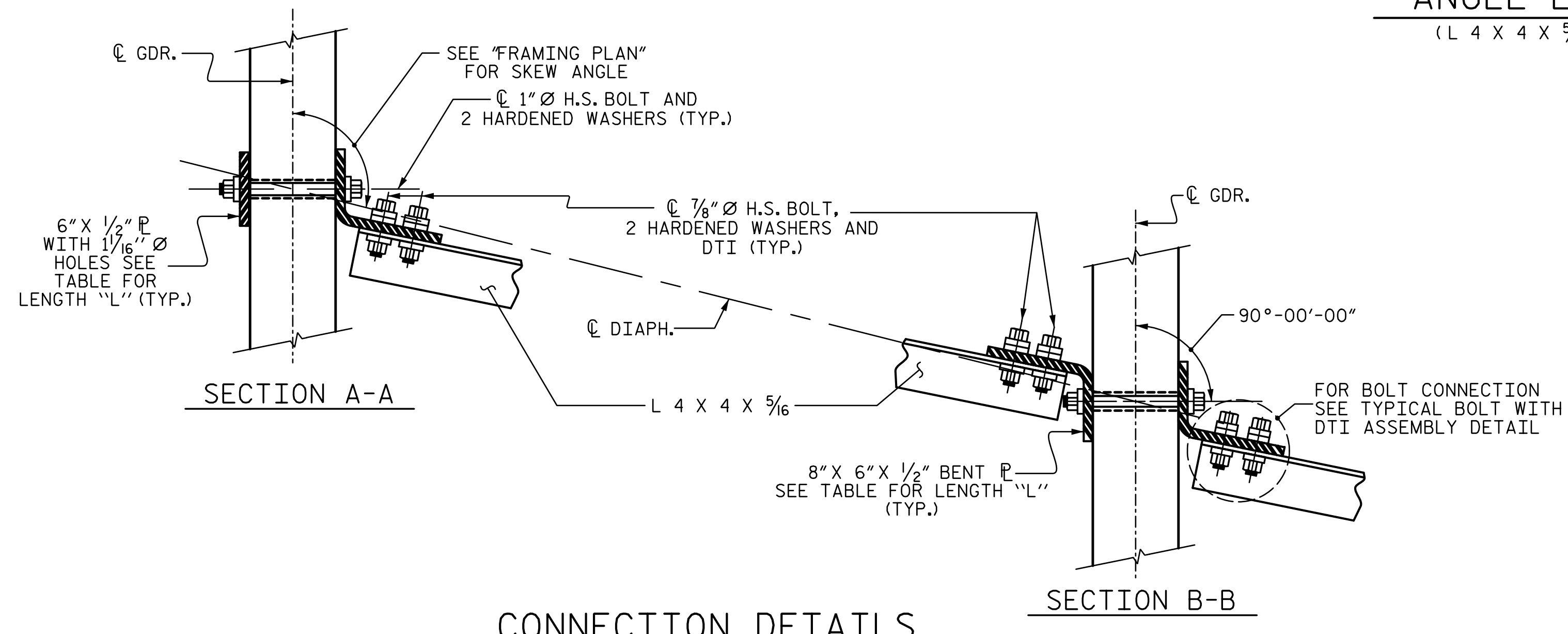
**PART SECTION AT INTERMEDIATE DIAPHRAGM**



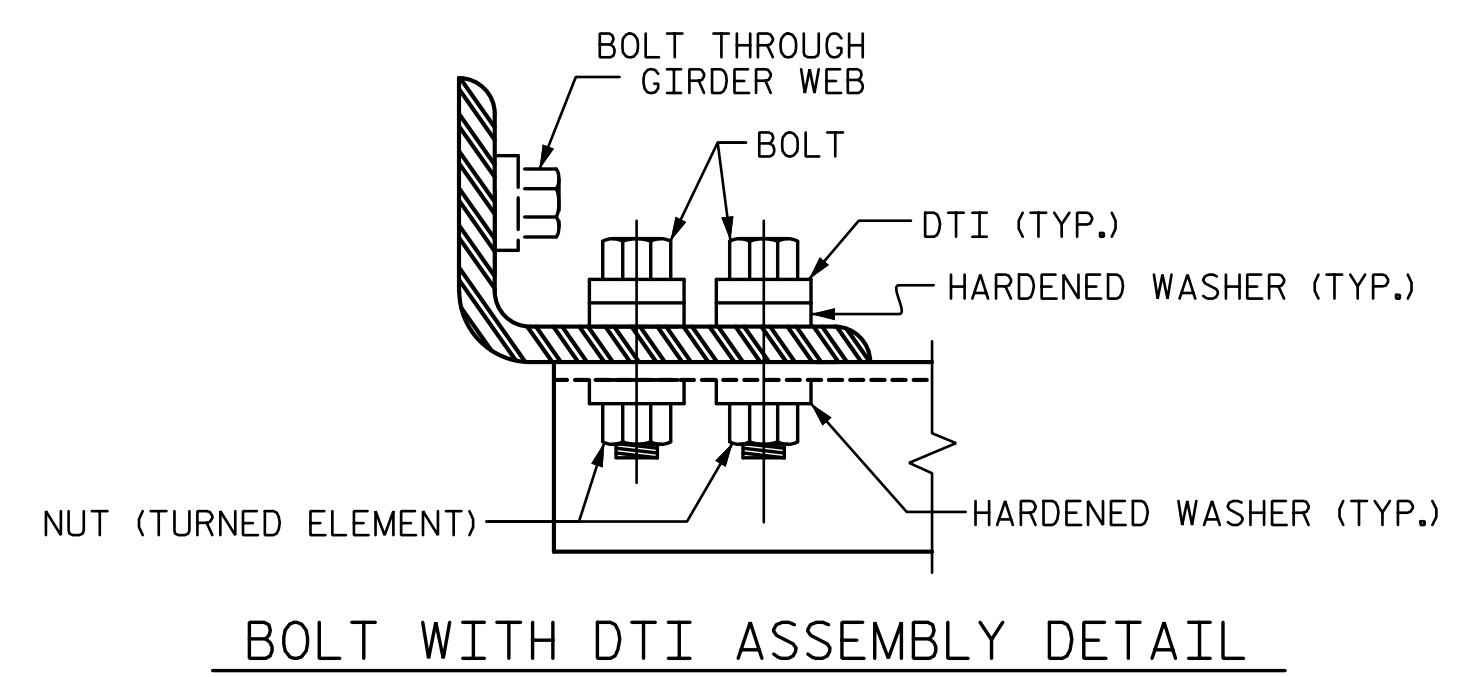
**CONNECTOR PLATE DETAIL**

**TABLE**

| GIRDER TYPE  | DIM "A"    | DIM "B" | DIM "C" | DIM "L" |
|--------------|------------|---------|---------|---------|
| 72" BULB TEE | 1'-10 3/4" | 1'-6"   | 1'-6"   | 4'-2"   |



**CONNECTION DETAILS**



PROJECT NO. U-4751

NEW HANOVER COUNTY

STATION: 35+12.05 -Y8RPDB-

r:\404\_031\_U4751\_SMJ\_GI\_016\_640204.dgn  
6/30/2017 13:10:25  
townsend

|                         |                    |   |                    |
|-------------------------|--------------------|---|--------------------|
| DRAWN BY : <u>MBC</u>   | DATE : <u>3-17</u> | DESIGN ENGINEER OF RECORD: <u>T. LAWS</u> | DATE : <u>5-17</u> |
| CHECKED BY : <u>TRL</u> | DATE : <u>4-17</u> |   |                    |

STATE OF NORTH CAROLINA  
DEPARTMENT OF TRANSPORTATION  
RALEIGH

**SUPERSTRUCTURE  
INTERMEDIATE STEEL  
DIAPHRAGMS FOR 72" MODIFIED  
BULB TEE PRESTRESSED  
CONCRETE GIRDERS**

REVISIONS

| NO. | BY: | DATE: | NO. | BY: | DATE: |
|-----|-----|-------|-----|-----|-------|
| 1   |     |       | 3   |     |       |
| 2   |     |       | 4   |     |       |

SHEET NO. S4-16

TOTAL SHEETS 36

STV ENGINEERS, INC. 100 YEARS

900 West Trade St., Suite 715  
Charlotte, NC 28202  
NC License Number F-5991