

SUPERSTRUCTURE REINFORCING STEEL LENGTHS ARE BASED ON THE FOLLOWING MINIMUM SPLICE LENGTHS

BAR SIZE	SUPERSTRUCTURE EXCEPT APPROACH SLABS, PARAPET, AND BARRIER RAIL		APPROACH SLABS		PARAPET AND BARRIER RAIL
	EPOXY COATED	UNCOATED	EPOXY COATED	UNCOATED	
#4	2'-0"	1'-9"	2'-0"	1'-9"	2'-9"
#5	2'-6"	2'-2"	2'-6"	2'-2"	3'-5"
#6	3'-0"	2'-7"	3'-10"	2'-7"	4'-4"
#7	5'-3"	3'-6"			
#8	6'-10"	4'-7"			

GROOVING BRIDGE FLOORS

APPROACH SLABS	2,066	SQ.FT.
BRIDGE DECK	8,784	SQ.FT.
TOTAL	10,850	SQ.FT.

—SUPERSTRUCTURE BILL OF MATERIAL—

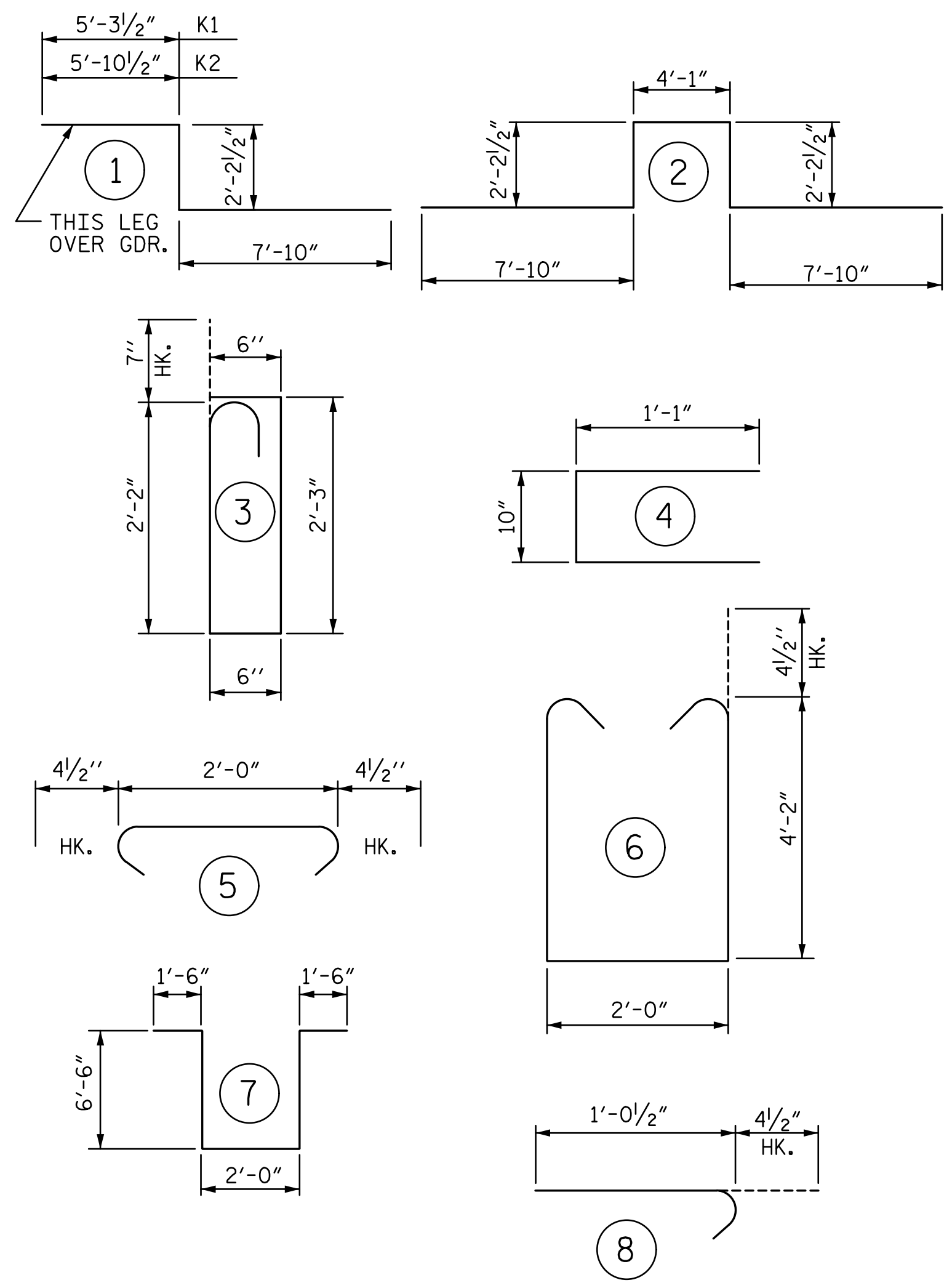
	CLASS AA CONCRETE (CU. YDS.)	REINFORCING STEEL (LBS.)	EPOXY COATED REINFORCING STEEL (LBS.)
POUR 1	143.0	32,749	32,515
POUR 2	202.4		
POUR 3	10.0		
POUR 4	8.9		
TOTALS**	364.3		

**QUANTITIES FOR BARRIER RAIL ARE NOT INCLUDED

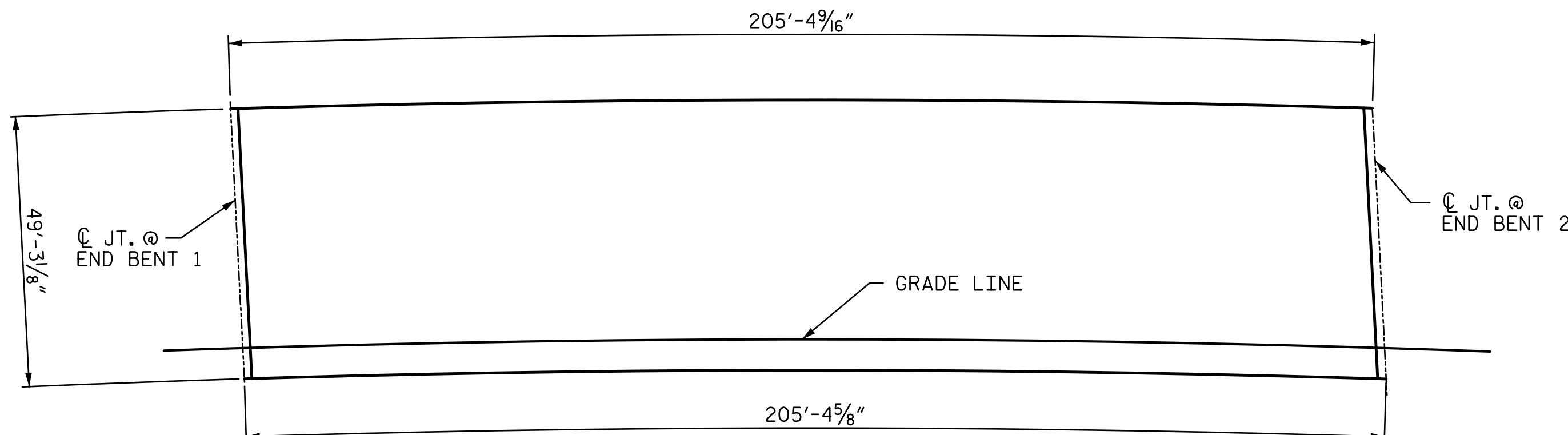
BILL OF MATERIAL

BAR	NO.	SIZE	TYPE	LENGTH	WEIGHT
*A1	347	#5	STR	48'-11"	17,704
A2	347	#5	STR	48'-11"	17,704
*A100	2	#5	STR	8'-8"	18
*A101	2	#5	STR	20'-2"	42
*A102	2	#5	STR	31'-7"	66
*A103	2	#5	STR	43'-0"	90
A200	2	#5	STR	8'-8"	18
A201	2	#5	STR	20'-2"	42
A202	2	#5	STR	31'-7"	66
A203	2	#5	STR	43'-0"	90
*B1	66	#5	STR	37'-6"	2,581
*B2	33	#7	STR	60'-0"	4,047
*B3	32	#7	STR	40'-0"	2,616
*B4	32	#7	STR	30'-0"	1,962
B5	98	#5	STR	44'-8"	4,566
B6	49	#7	STR	30'-0"	3,005
*B7	66	#5	STR	40'-0"	2,754
B8	98	#5	STR	47'-2"	4,821
*G1	2	#5	STR	48'-11"	102
*J1	92	#4	8	1'-5"	87
*K1	4	#8	1	15'-4"	164
*K2	4	#8	1	15'-11"	170
K3	12	#8	2	24'-2"	774
K4	16	#6	STR	6'-5"	154
K5	40	#4	STR	9'-5"	252
K6	8	#4	STR	6'-8"	36
K7	12	#4	STR	21'-8"	174
*S1	56	#4	4	3'-0"	112
S2	56	#5	3	6'-0"	350
S3	164	#4	5	2'-9"	301
S4	8	#4	6	11'-1"	59
U1	28	#4	7	18'-0"	337
REINFORCING STEEL				32,749	LBS.
* EPOXY COATED REINFORCING STEEL				32,515	LBS.

BAR TYPES



ALL BAR DIMENSIONS ARE OUT TO OUT



LAYOUT FOR COMPUTING AREA REINFORCED CONCRETE DECK SLAB (SQ. FT. = 10,110)

PROJECT NO. U-4751 NEW HANOVER COUNTY STATION: 225+92.26 -L-

DRAWN BY : MBC	DATE : 4-17	DESIGN ENGINEER OF RECORD: P. KELLY	DATE : 5-17
CHECKED BY : PEK	DATE : 5-17		

DOCUMENT NOT CONSIDERED FINAL UNLESS ALL SIGNATURES COMPLETED

7/14/2017

STATE OF NORTH CAROLINA
DEPARTMENT OF TRANSPORTATION
RALEIGH

**SUPERSTRUCTURE
BILL OF MATERIAL**

NO.		REVISIONS		BY:		DATE:	
1		3					
2		4					

SHEET NO.	
S3-24	TOTAL SHEETS 36