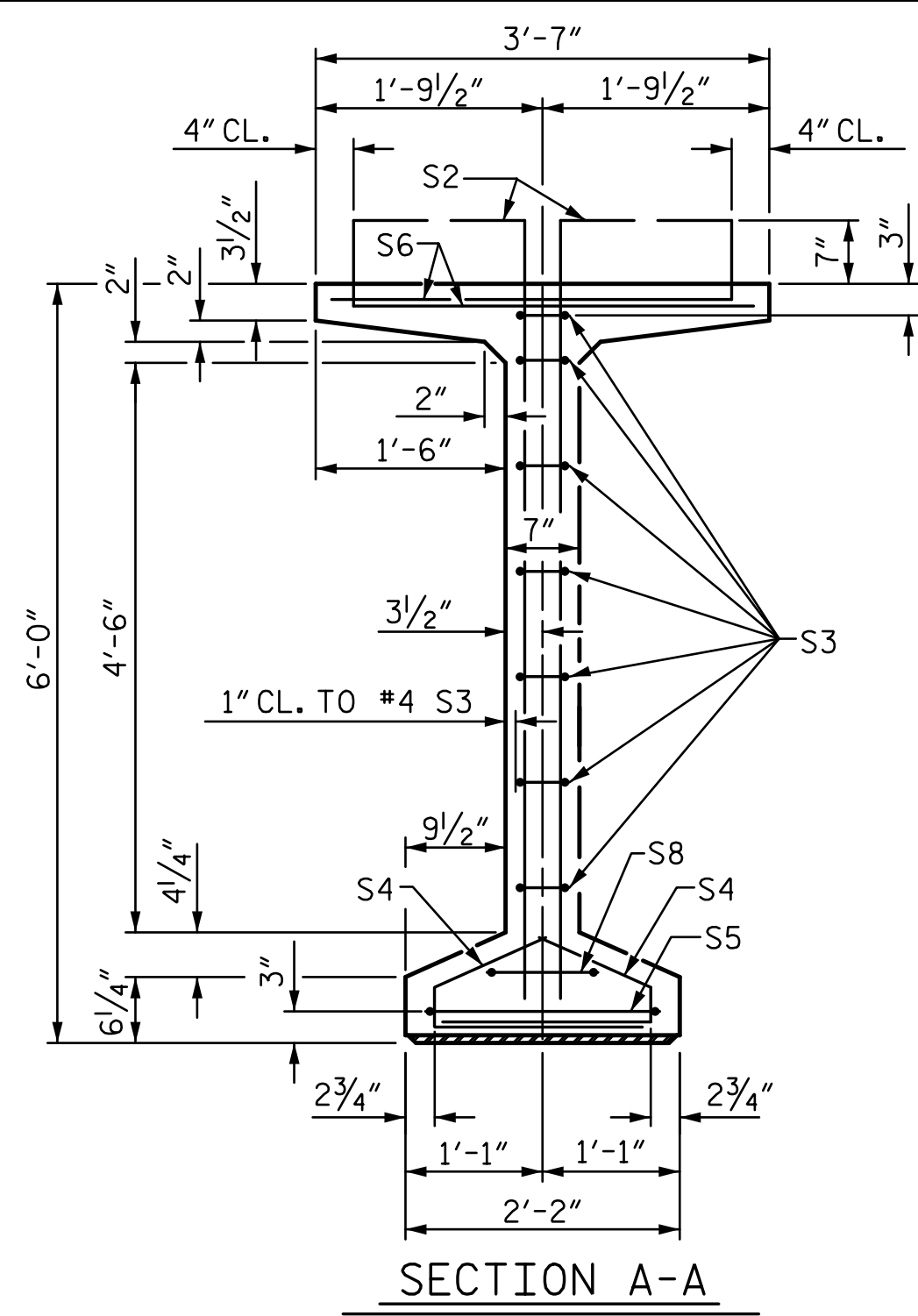
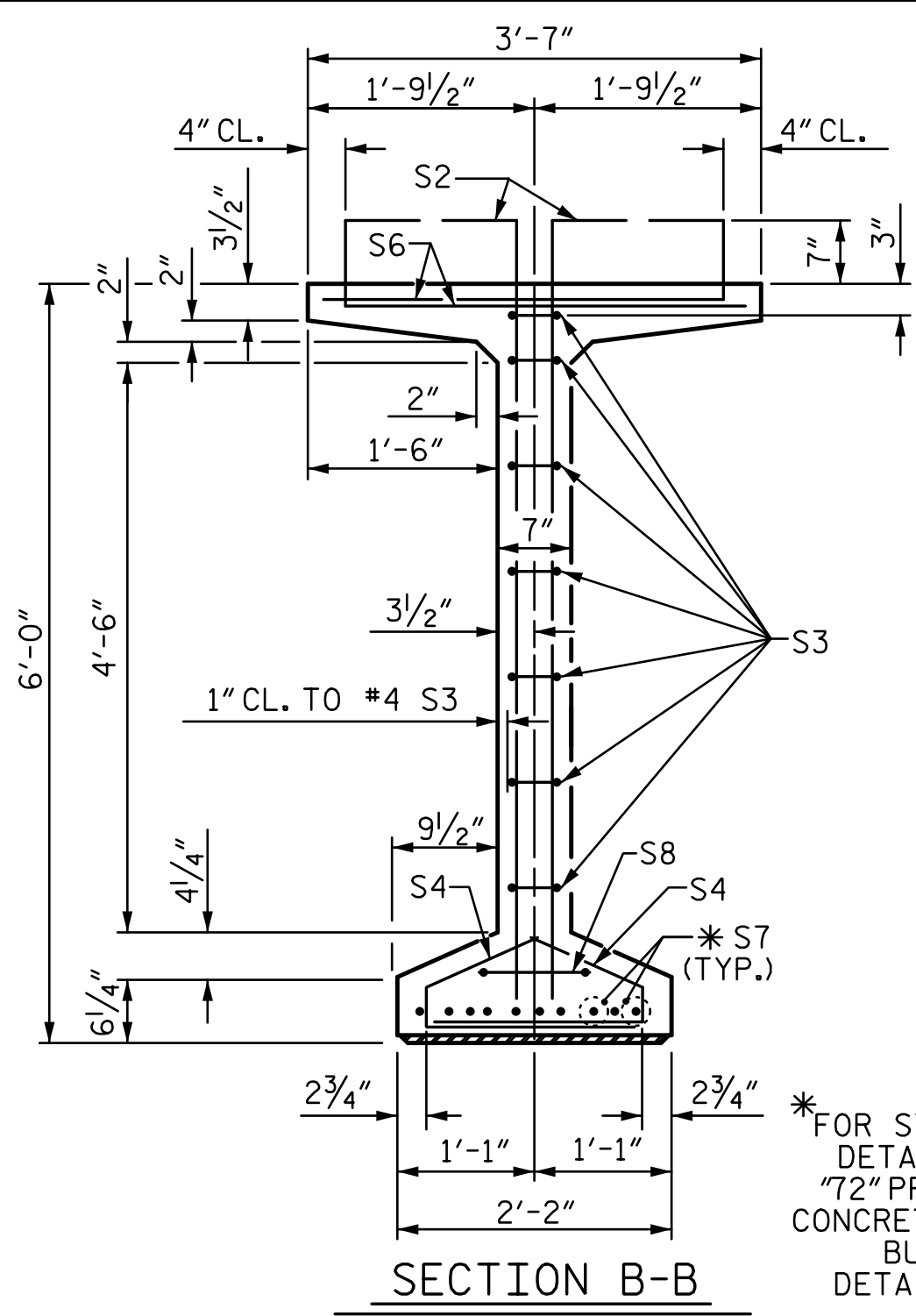


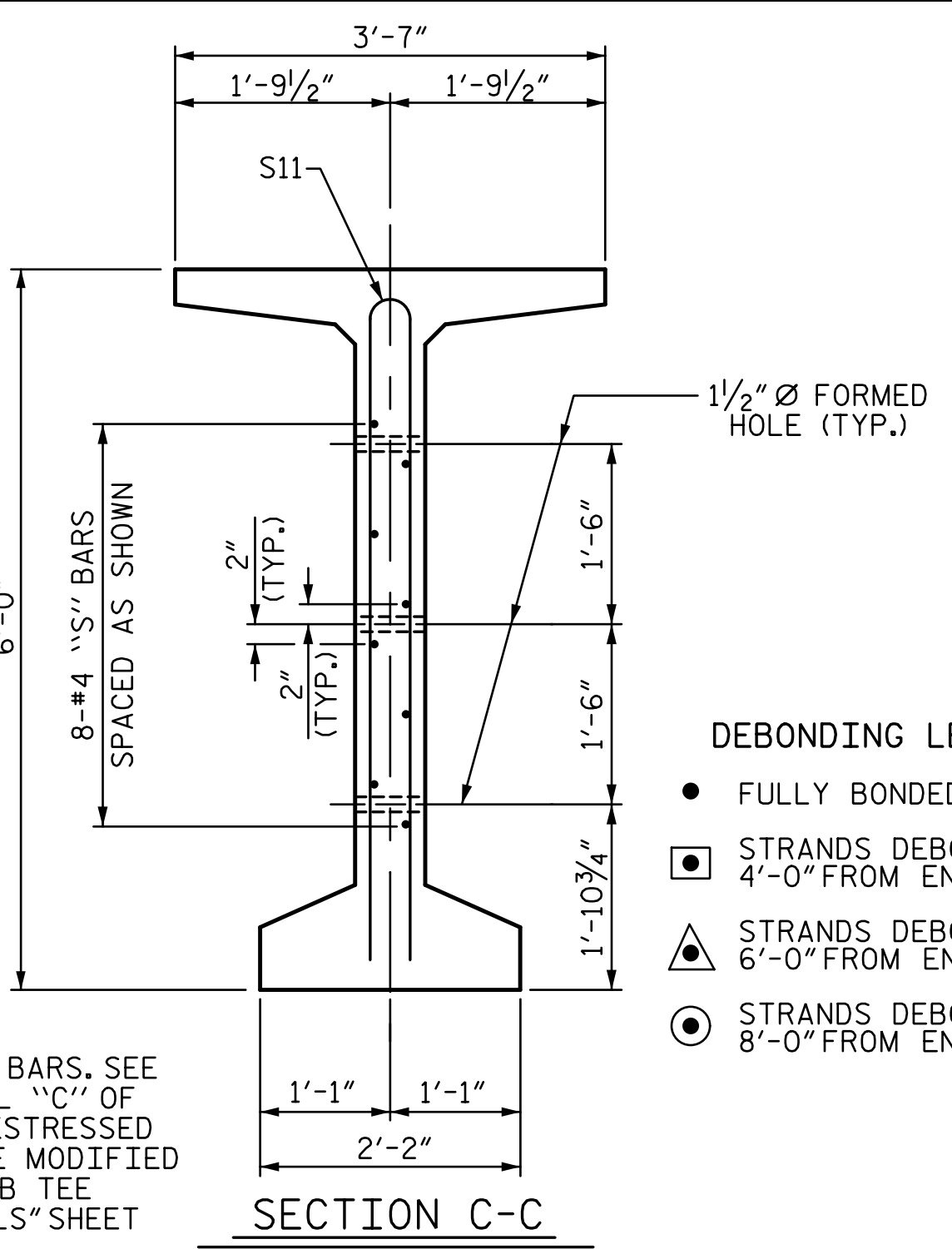
7/12/2017 2:13:28 PM \\USPADGWFs02\vol3\Projects\408617_408617_0001\50_Deliverables & Submittals\U-4751\Structures\Bridges_203\Station\Final\403_025_U4751_SMU_GL_013_640203.dgn



SECTION A-A



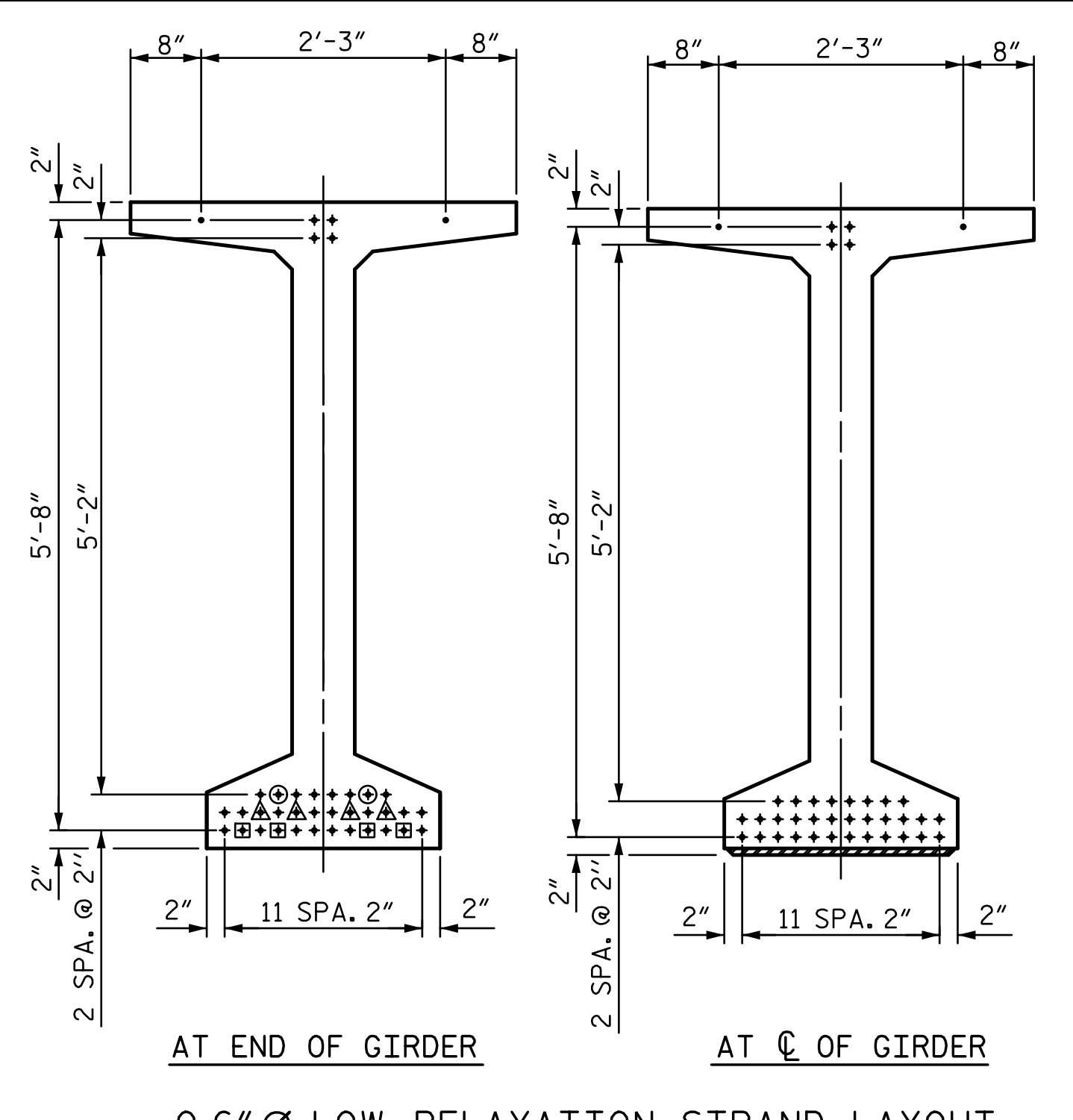
SECTION B-B



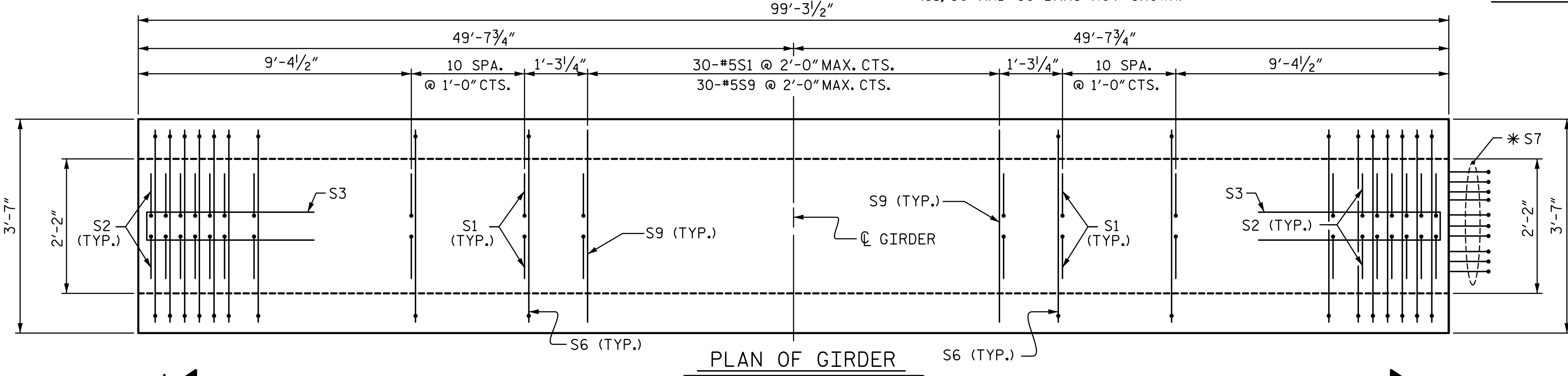
SECTION C-C

*FOR S7 BARS, SEE
DETAIL "C" OF
"72" PRESTRESSED
CONCRETE MODIFIED
BULB TEE
DETAILS" SHEET

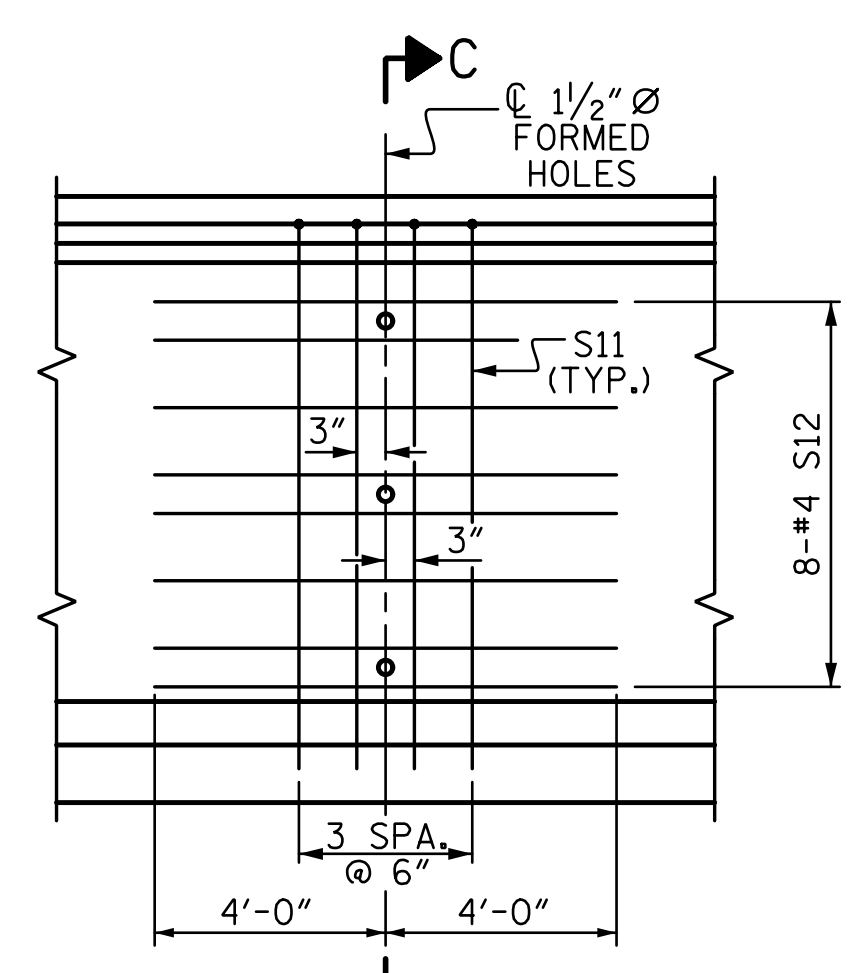
- DEBONDING LEGEND**
- FULLY BONDED STRANDS
 - ◻ STRANDS DEBONDED FOR 4'-0" FROM END OF GIRDER
 - ◻ STRANDS DEBONDED FOR 6'-0" FROM END OF GIRDER
 - ◻ STRANDS DEBONDED FOR 8'-0" FROM END OF GIRDER



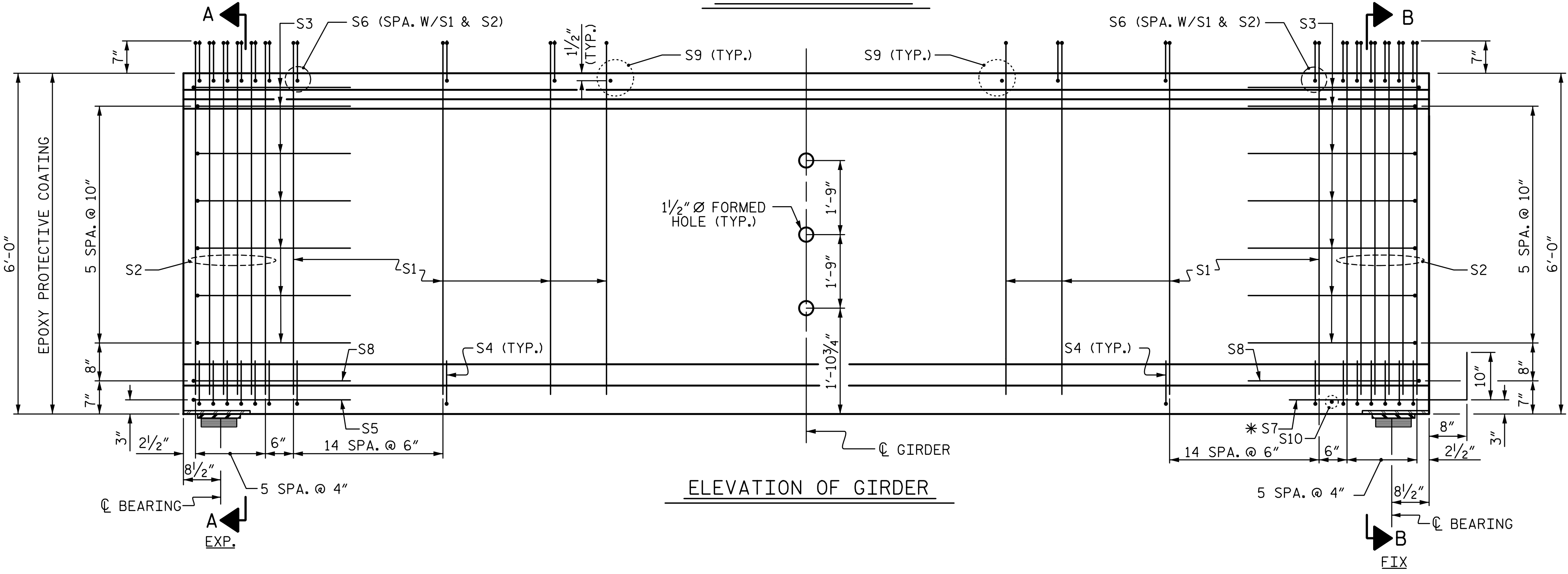
AT END OF GIRDER
AT CL OF GIRDER
0.6" Ø LOW RELAXATION STRAND LAYOUT



PLAN OF GIRDER



PARTIAL ELEVATION
SHOWING INTERMEDIATE STEEL DIAPHRAGM
REINFORCING STEEL FOR GIRDER Nos. 1 THRU 5

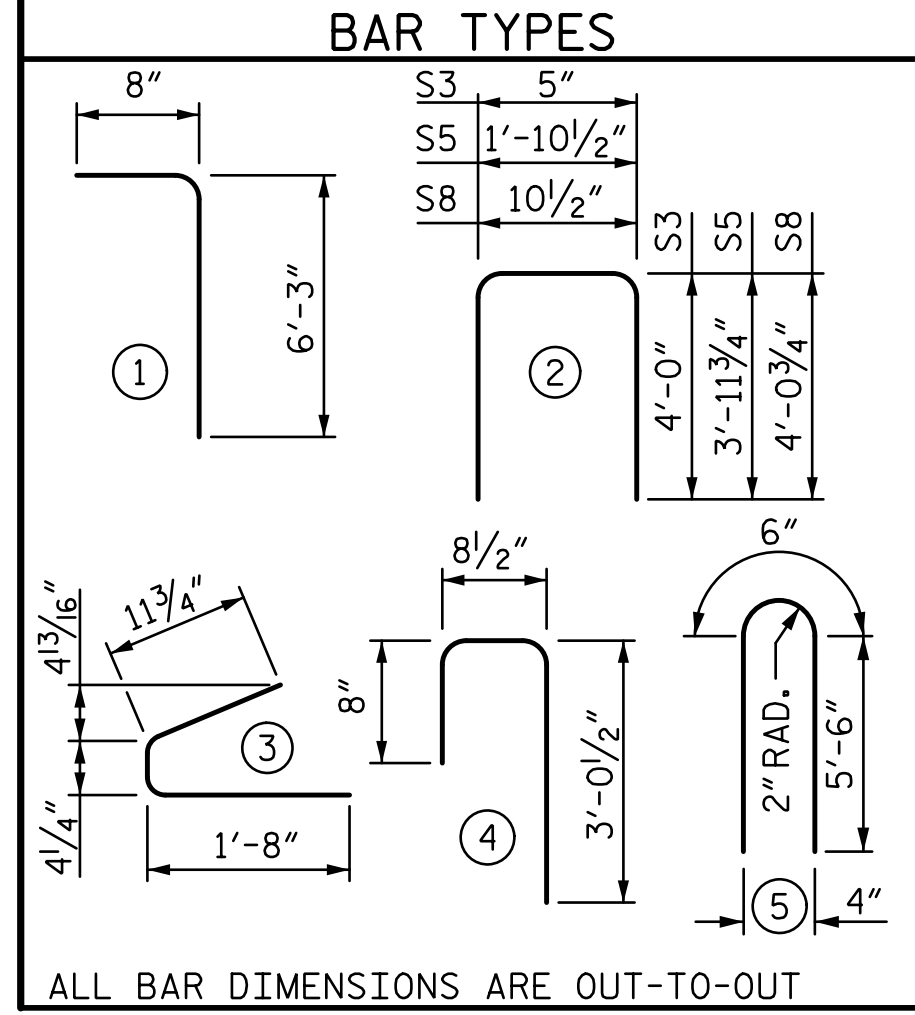


ELEVATION OF GIRDER

0.6" Ø L. R. GRADE 270 STRANDS		
AREA (SQUARE INCHES)	ULTIMATE STRENGTH (LBS. PER STRAND)	APPLIED PRESTRESS (LBS. PER STRAND)
0.217	58,600	43,950

REINFORCING STEEL FOR ONE GDR					
BAR	NUMBER	SIZE	TYPE	LENGTH	WEIGHT
S1	160	#4	1	6'-11"	739
S2	24	#5	1	6'-11"	173
S3	14	#4	2	8'-5"	79
S4	84	#4	3	3'-0"	168
S5	1	#5	2	9'-10"	10
S6	124	#5	4	4'-5"	571
*S7	10	#5	STR	3'-8"	38
S8	2	#5	2	9'-0"	19
S9	30	#5	STR	3'-3"	102
S10	1	#3	STR	1'-10"	1
S11	4	#5	5	1'-6"	48
S12	8	#4	STR	8'-0"	43

*NOTE: S7 BARS SHALL BE BENT BEFORE SHIPMENT. HEAT BENDING SHALL NOT BE ALLOWED.



ALL BAR DIMENSIONS ARE OUT-TO-OUT

	QUANTITIES FOR ONE GIRDER		
	REINFORCING STEEL LB.	8000 CONCRETE C.Y.	0.6" Ø L.R. STRANDS No.
GIRDER	1991	21.3	38

GIRDERS REQUIRED		
NUMBER	LENGTH	TOTAL LENGTH
5	99'-3/2"	496'-5/2"

PROJECT NO. U-4751
NEW HANOVER COUNTY
 STATION: 225+92.26 -L-
 SHEET 1 OF 3

DOCUMENT NOT CONSIDERED FINAL
UNLESS ALL SIGNATURES COMPLETED

STV ENGINEERS, INC.
 900 West Trade St., Suite 715
 Charlotte, NC 28202
 NC License Number F-5991

STATE OF NORTH CAROLINA
 DEPARTMENT OF TRANSPORTATION
 RALEIGH
 SUPERSTRUCTURE
**72" PRESTRESSED CONCRETE
 MODIFIED BULB TEE
 CONTINUOUS FOR LIVE LOAD
 "SPAN A"**

REVISIONS				SHEET NO.
NO.	BY:	DATE:	NO.	DATE:
1			3	
2			4	

SHEET NO. S3-13
 TOTAL SHEETS 36

DRAWN BY: MBC DATE: 3-17
 CHECKED BY: TRL DATE: 5-17
 DESIGN ENGINEER OF RECORD: P. KELLY DATE: 5-17