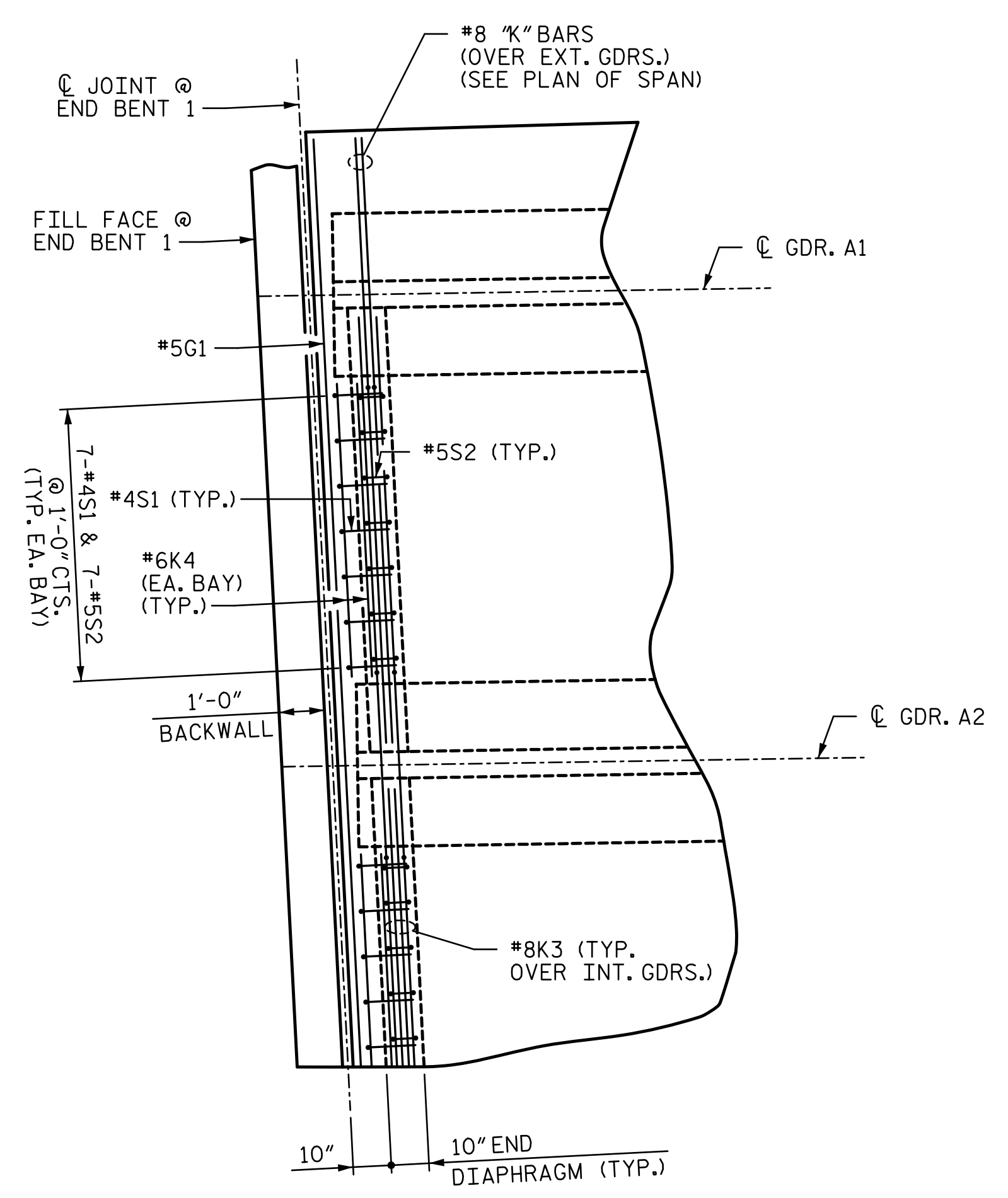
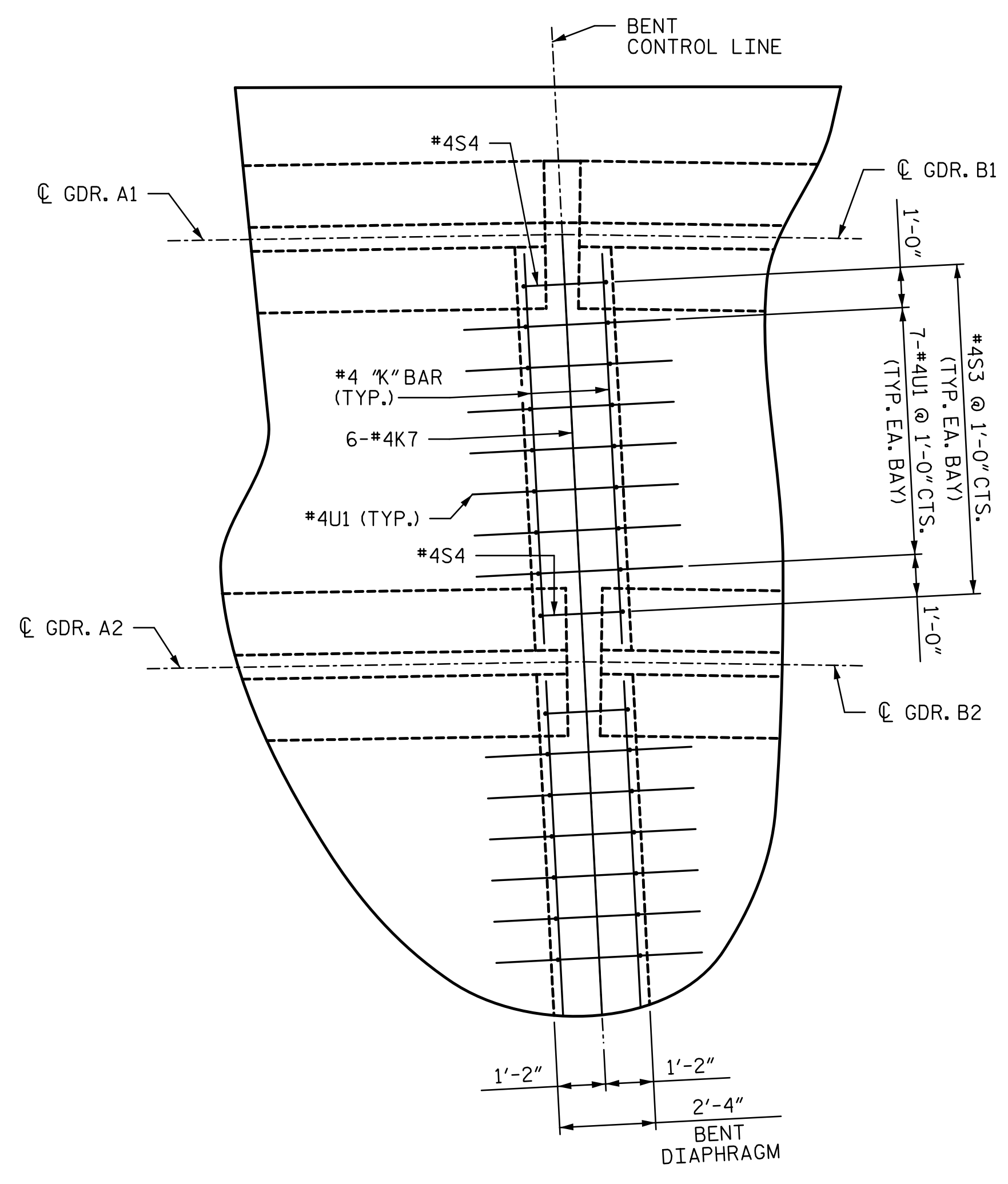


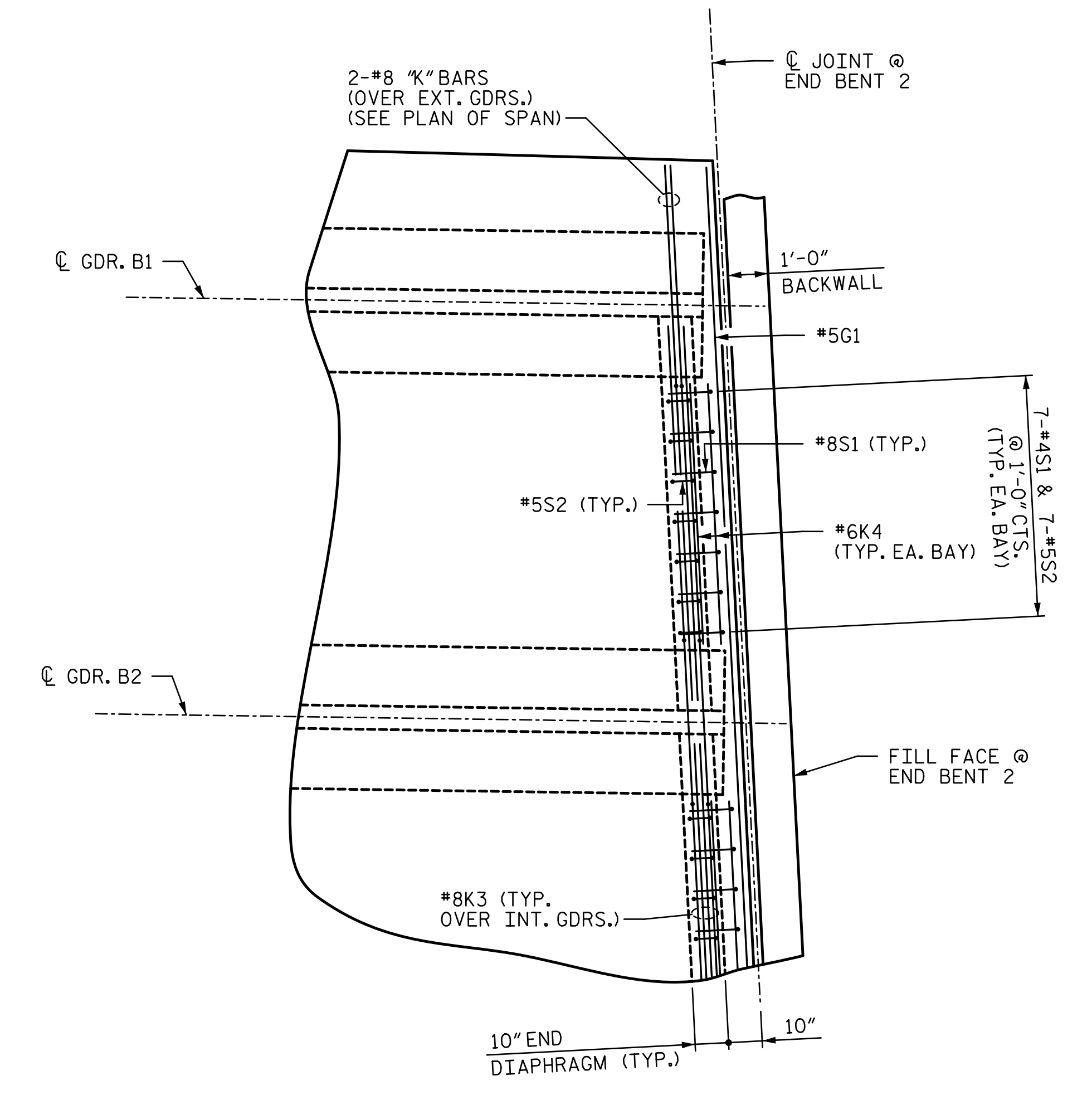
\\USPADG\dfs02\vol3\Projects\408617\408617\_000\50\_Deliverables & Submittals\U-4751\Structures\Bridges\_203\Station\Final\403\_09\_U4751\_SML\_SI\_010\_640203.dgn  
 7/12/2017 2:13:18 PM ch14kmb



DETAIL "C"



DETAIL "D"



DETAIL "E"

PROJECT NO. U-4751  
NEW HANOVER COUNTY  
 STATION: 225+92.26 -L-  
 SHEET 3 OF 3

DOCUMENT NOT CONSIDERED FINAL UNLESS ALL SIGNATURES COMPLETED	STATE OF NORTH CAROLINA DEPARTMENT OF TRANSPORTATION RALEIGH		SUPERSTRUCTURE PLAN OF SPAN DETAILS		SHEET NO. S3-10
			REVISIONS		TOTAL SHEETS 36
	NO. 1 2	BY:	DATE:	NO. 3 4	BY:

DRAWN BY : <u>MBC</u>	DATE : <u>3-17</u>	DESIGN ENGINEER OF RECORD: <u>P. KELLY</u>	DATE : <u>5-17</u>
CHECKED BY : <u>PEK</u>	DATE : <u>5-17</u>		