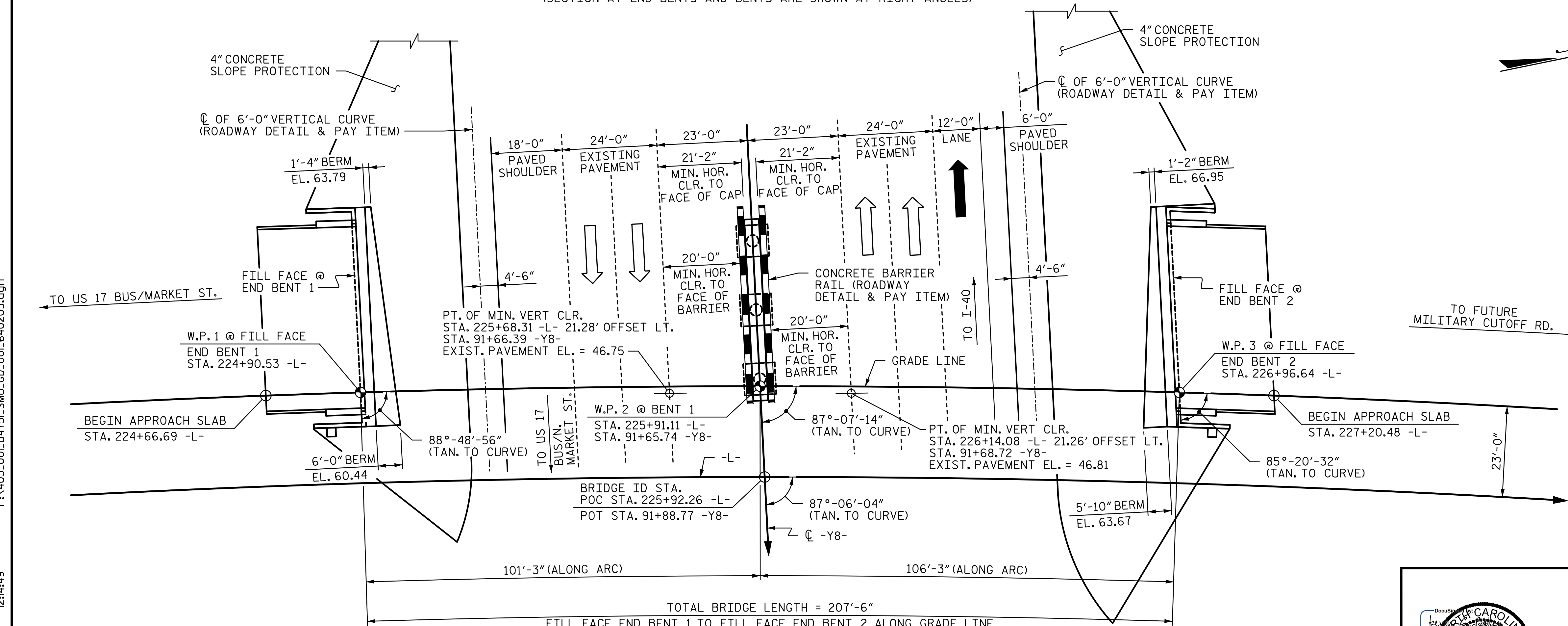
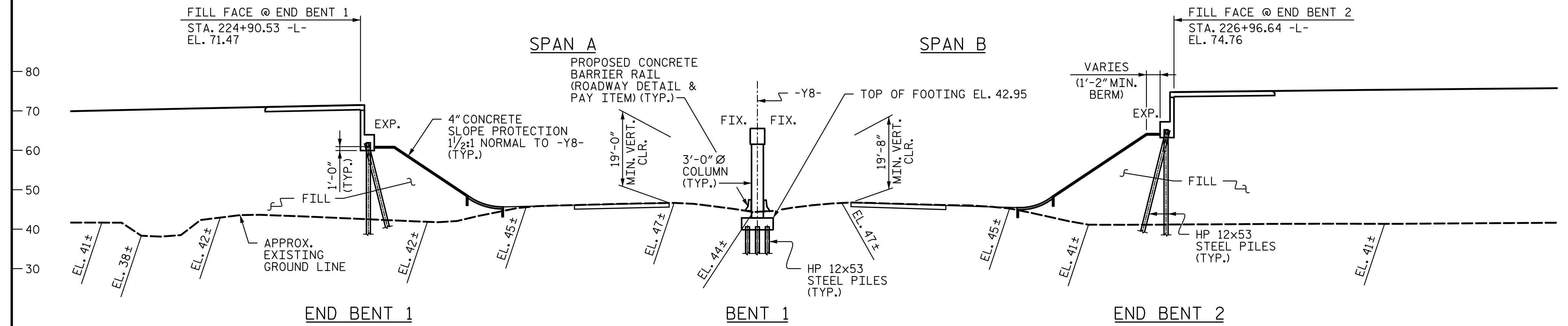


225+00 226+00 227+00 228+00

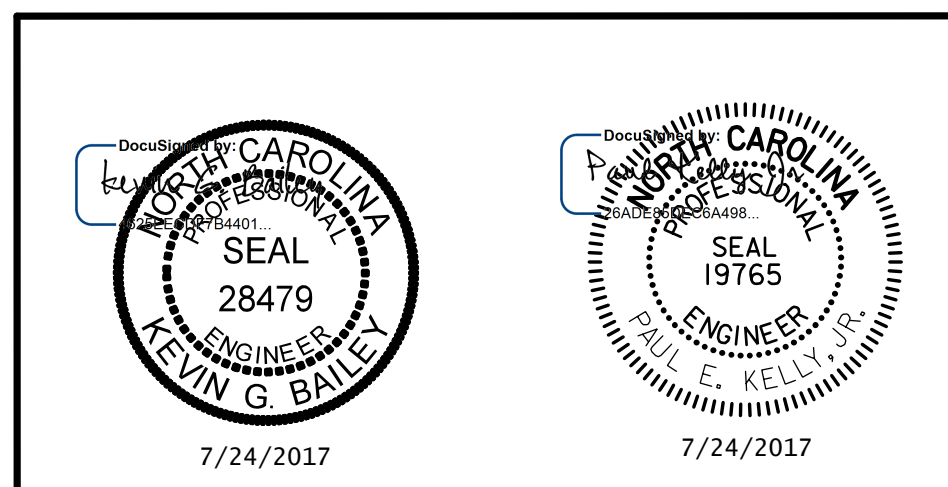
(+2.6675% (-)3.0000%
GRADE DATA
 PVI STA. 230+60.00 -L-
 PVI EL. = 87.28
 LVC = 1500.00'



HORIZONTAL CURVE DATA -L-

PI STA. 226+97.66
 $\Delta = 52^\circ-22'-55.53"$ (RT)
 $D = 1^\circ-41'-06.6"$
 $L = 3,108.42'$
 $T = 1672.35'$
 $R = 3400.00'$

PROJECT NO. U-4751
 NEW HANOVER COUNTY
 STATION: 225+92.26 -L-
91+88.77 -Y8-
 SHEET 1 OF 4 BRIDGE NO. 203



STATE OF NORTH CAROLINA
 DEPARTMENT OF TRANSPORTATION
 RALEIGH
GENERAL DRAWING
 FOR BRIDGE ON SR 1409
 (MILITARY CUTOFF RD)
 OVER US 17

DRAWN BY: MBC DATE: 3-17
 CHECKED BY: TRL DATE: 5-17
 DESIGN ENGINEER OF RECORD: P. KELLY DATE: 5-17

DOCUMENT NOT CONSIDERED FINAL UNLESS ALL SIGNATURES COMPLETED						REVISIONS			SHEET NO.
NO.	BY:	DATE:	NO.	BY:	DATE:				S3-1
1			3						TOTAL SHEETS
2			4						36