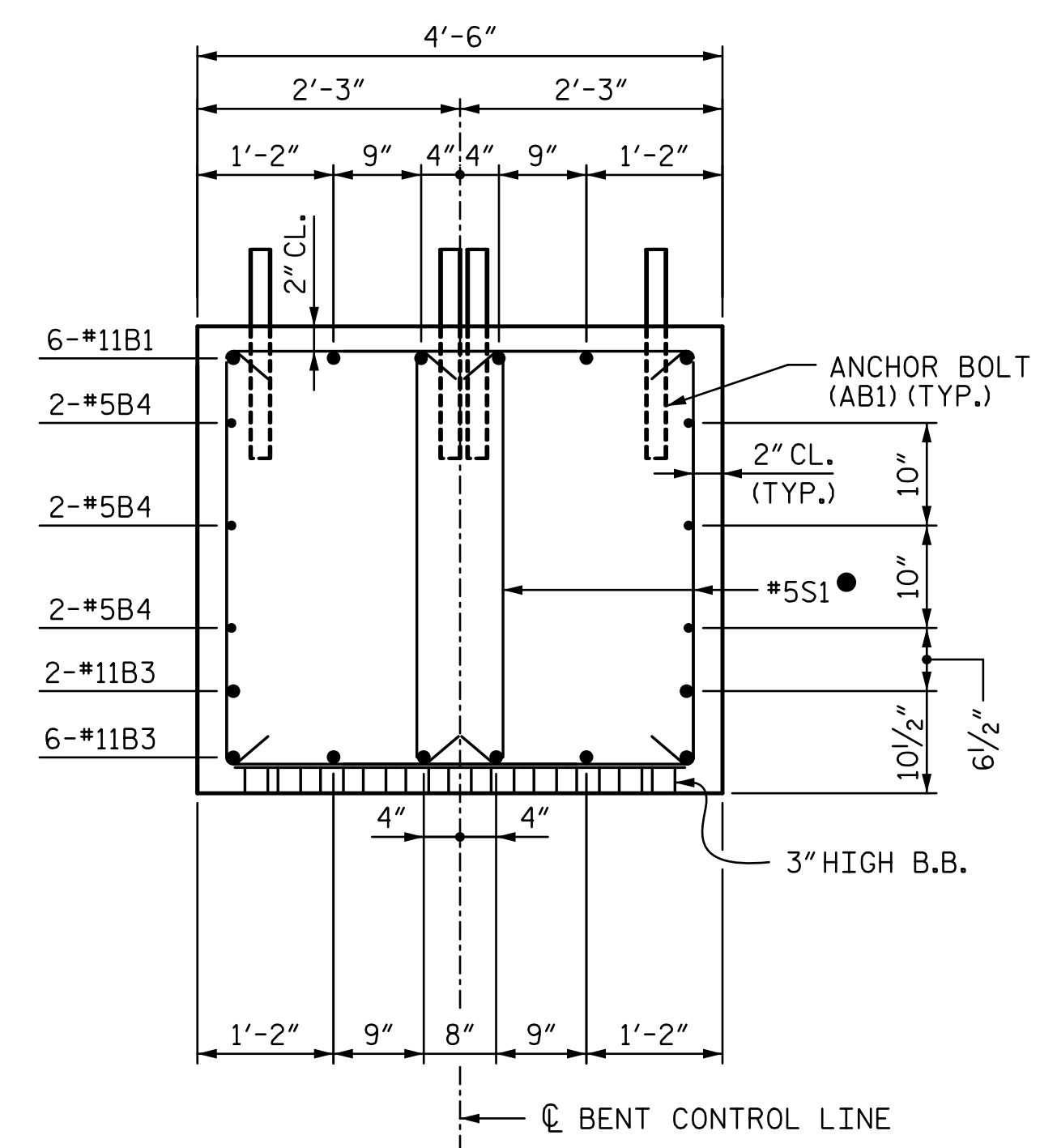
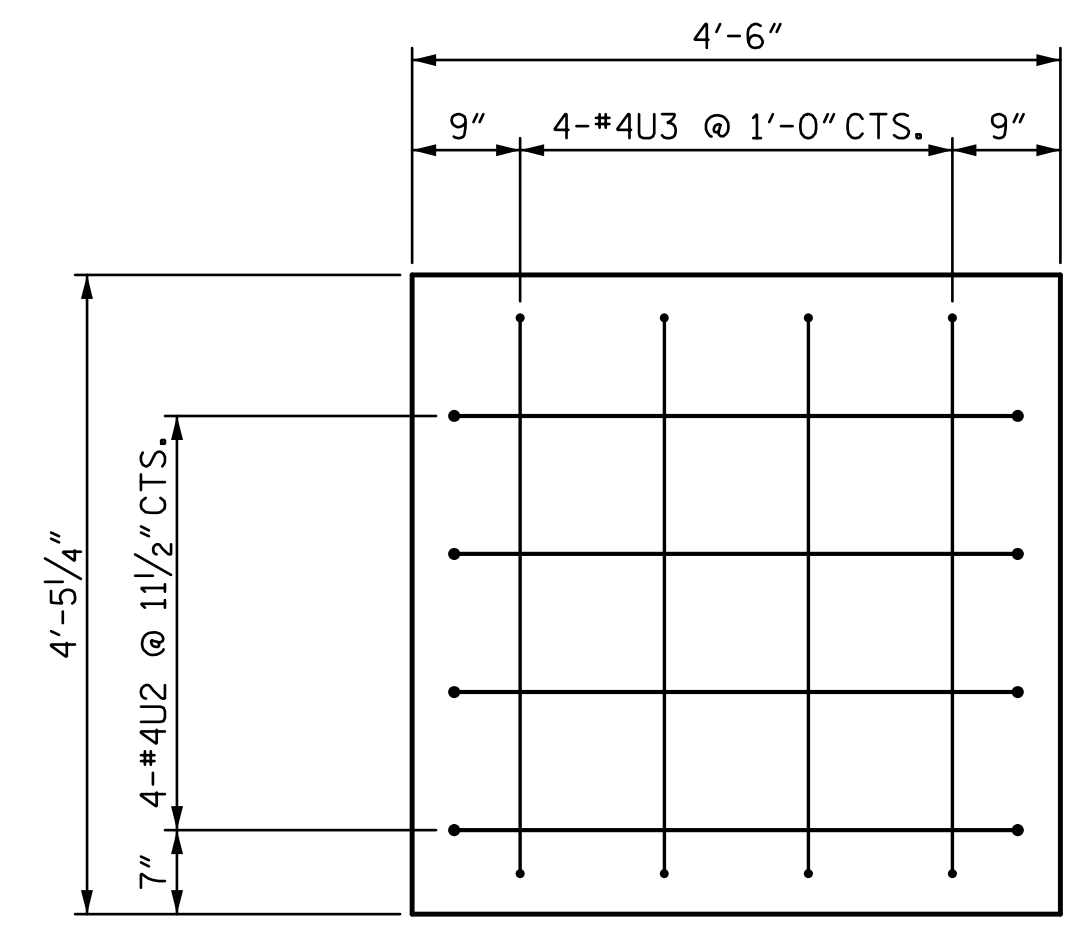


SECTION A-A

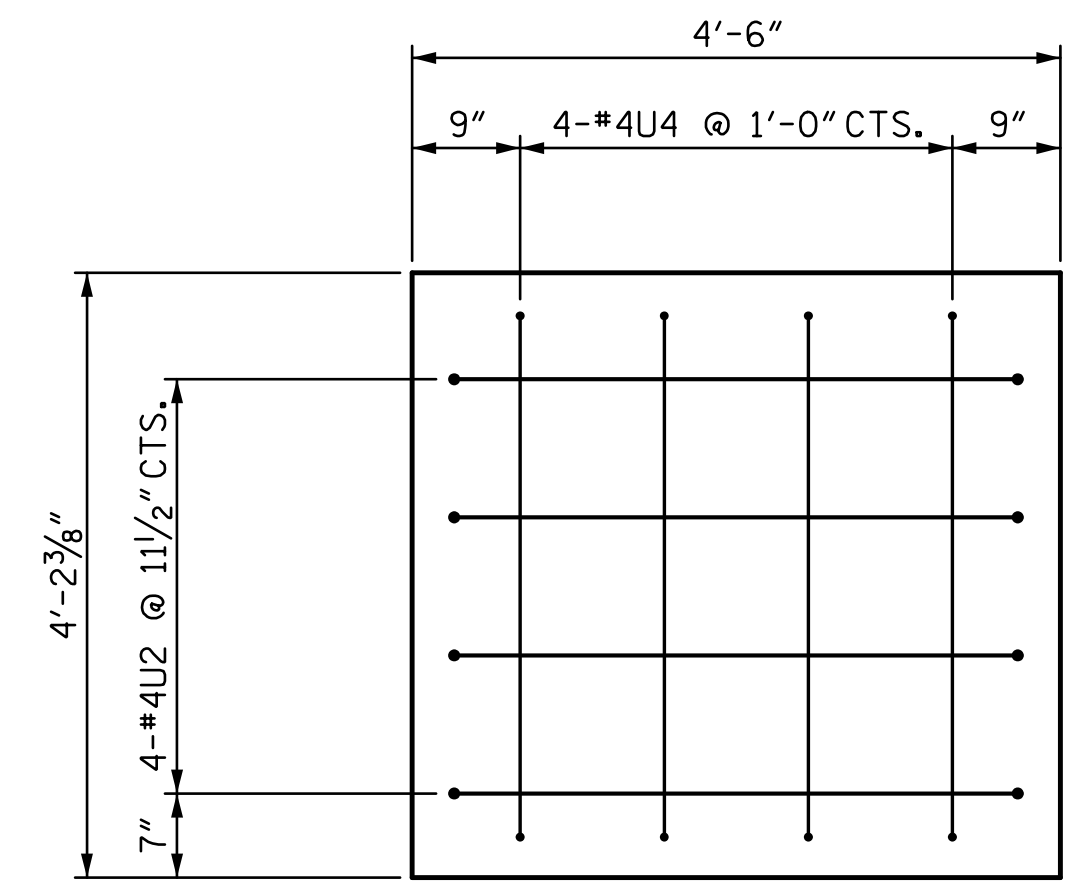
● INVERT ALTERNATE PAIRS OF STIRRUPS



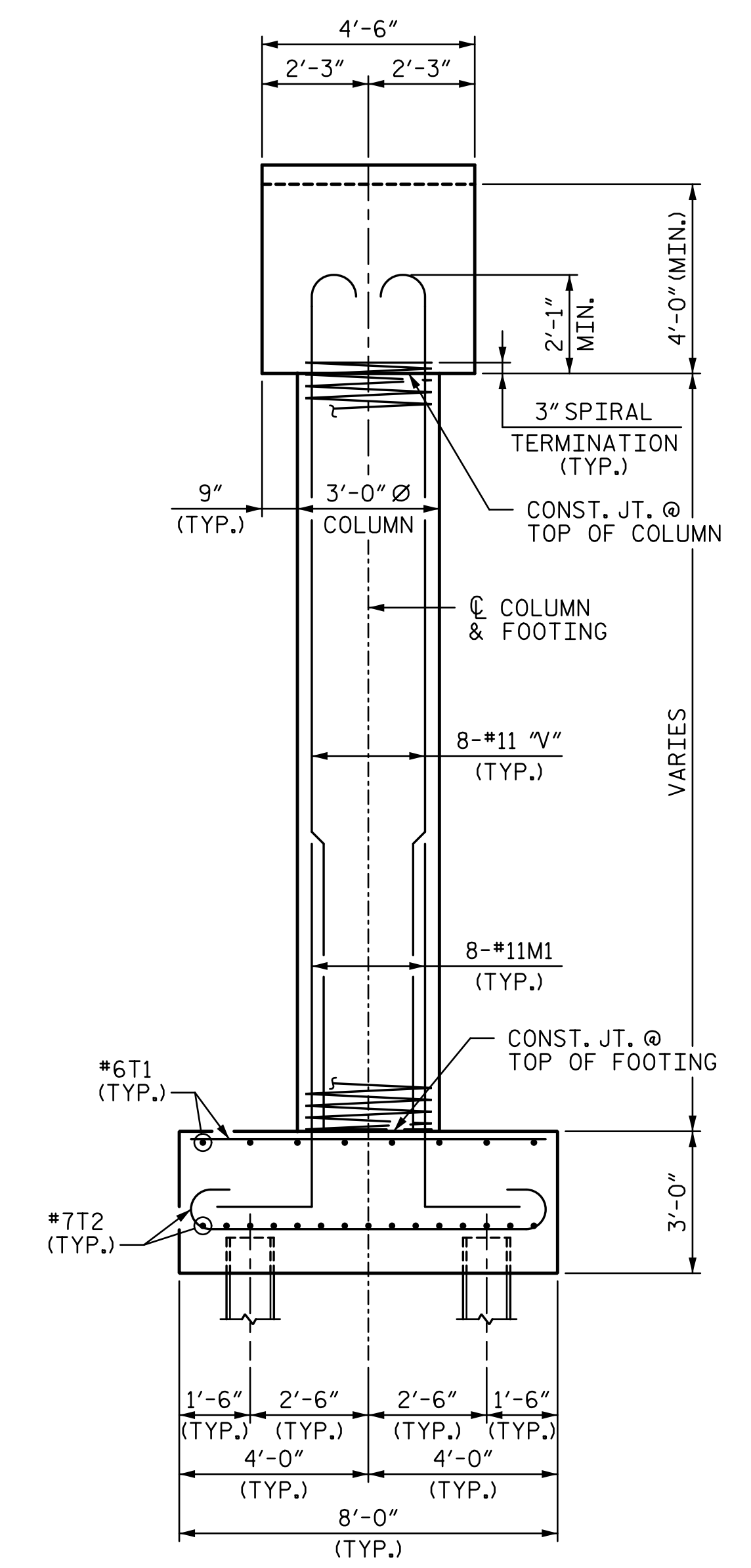
SECTION B-B



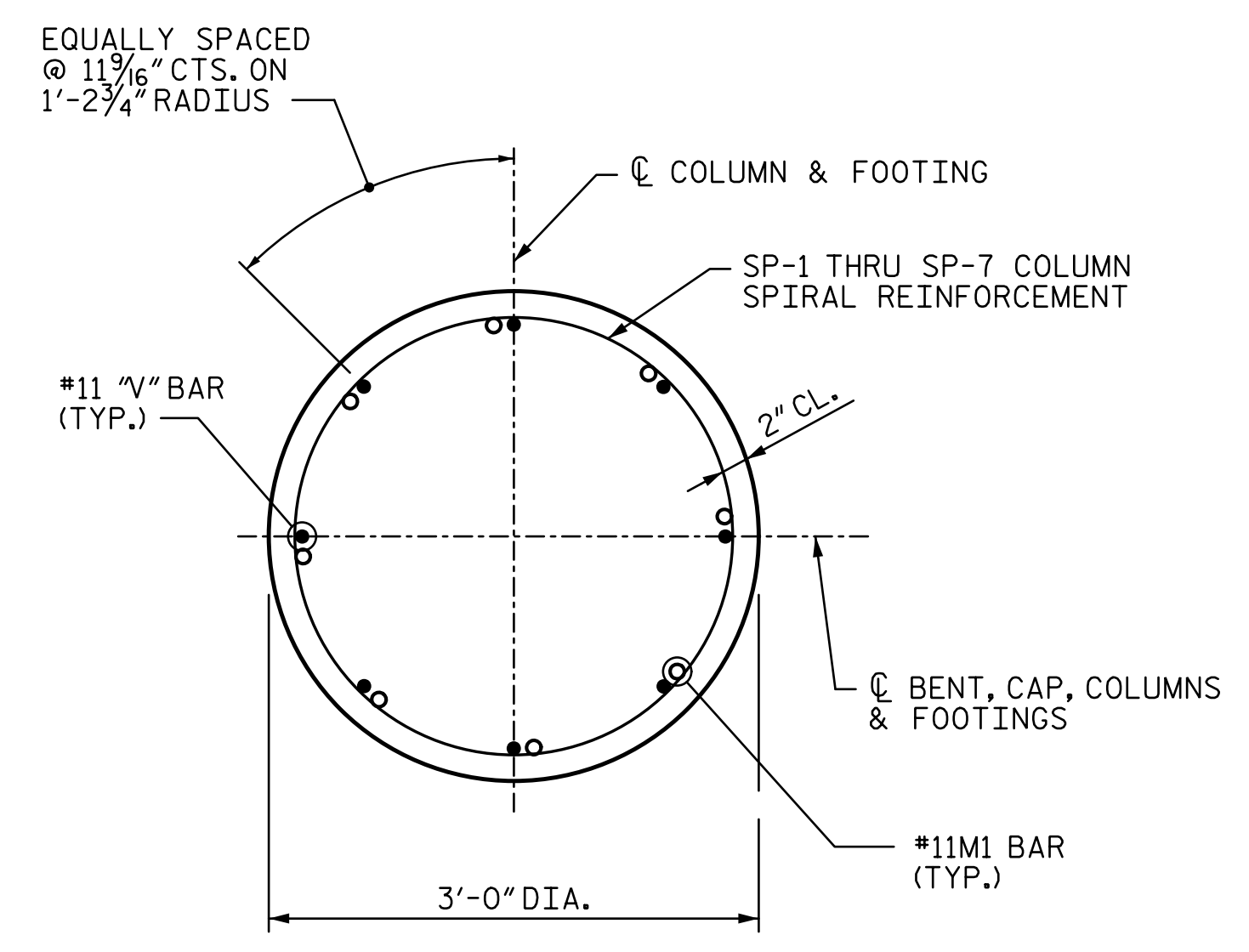
END VIEW
(LEFT SIDE)



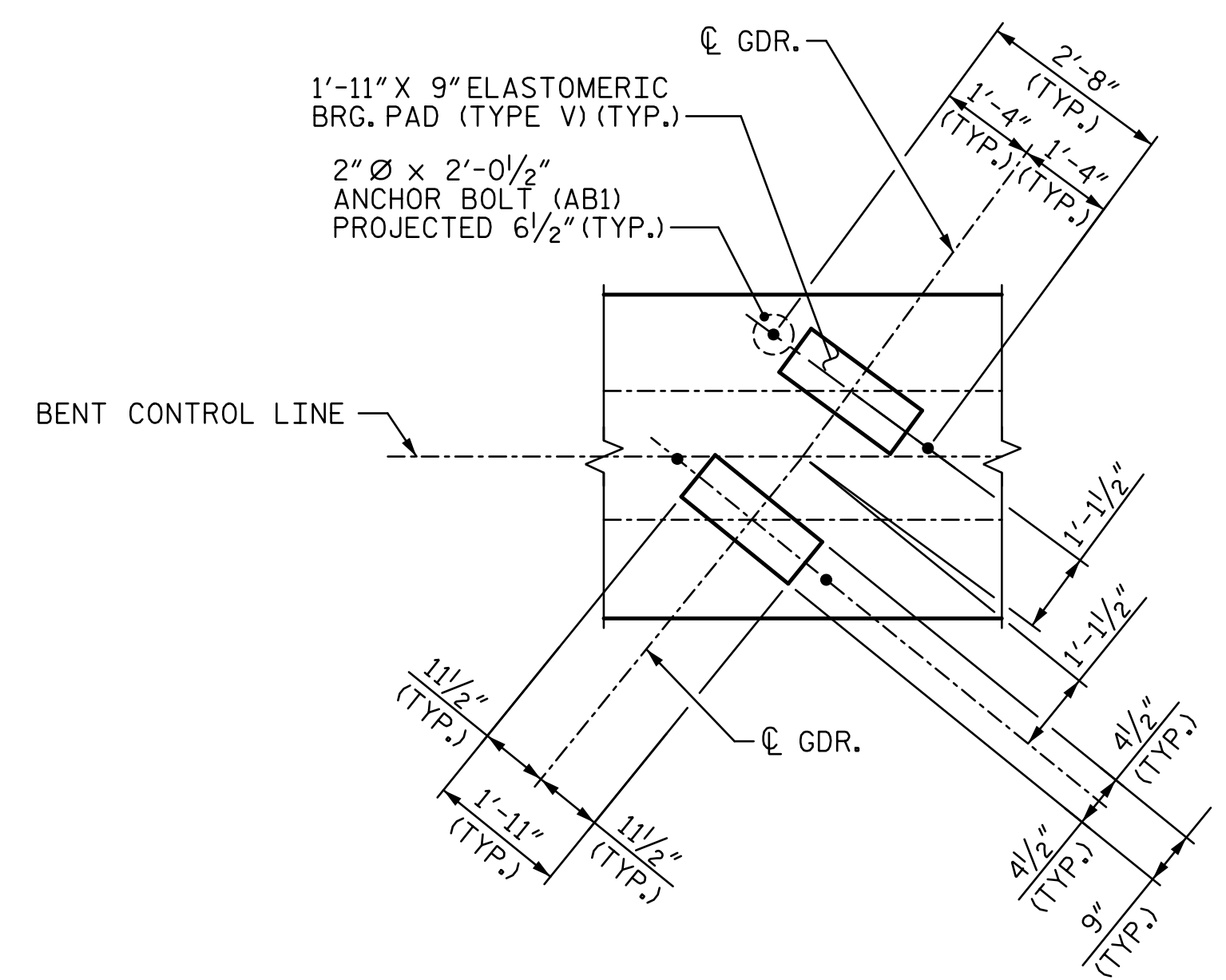
END VIEW
(RIGHT SIDE)



END VIEW



TYPICAL SECTION THROUGH COLUMN



DETAIL "A"
(TYP. EA. GDR.)

PROJECT NO. U-4751
NEW HANOVER COUNTY
 STATION: 38+94.20 -L-
 SHEET 2 OF 3

DOCUMENT NOT CONSIDERED FINAL UNLESS ALL SIGNATURES COMPLETED		STATE OF NORTH CAROLINA DEPARTMENT OF TRANSPORTATION RALEIGH				SHEET NO. S1-28 TOTAL SHEETS 36	
		SUBSTRUCTURE BENT 1					
		REVISIONS					
		NO.	BY:	DATE:	NO.	BY:	DATE:
		1			3		
		2			4		

R:\401_055_U4751_SMJ_BI_028_640201.dgn
 6/22/2017 3:17:45 PM
 ch1tkhmb

DRAWN BY: <u>VMW</u>	DATE: <u>4-17</u>	DESIGN ENGINEER OF RECORD: <u>V. WU</u>	DATE: <u>5-17</u>
CHECKED BY: <u>TJT</u>	DATE: <u>4-17</u>		