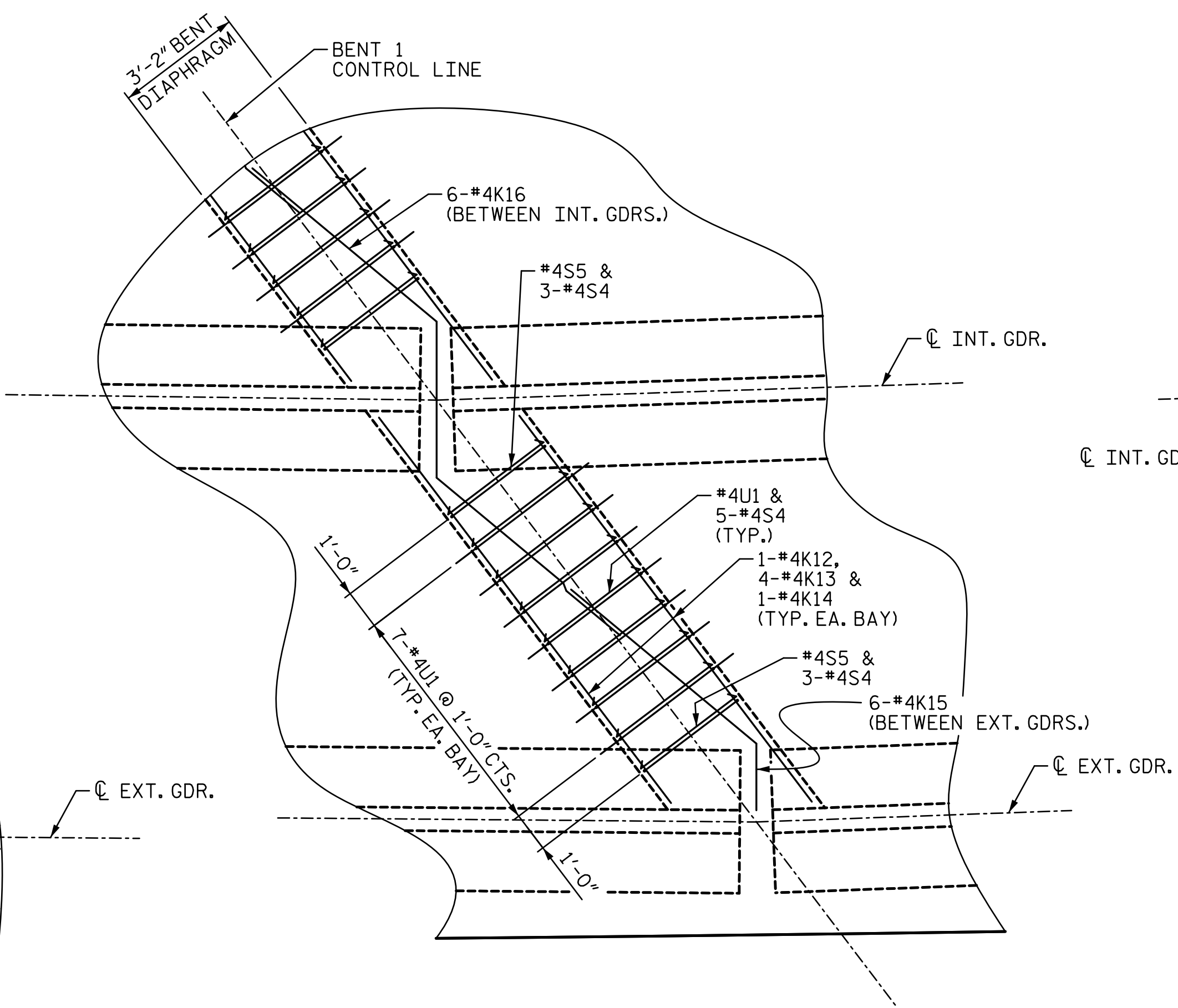
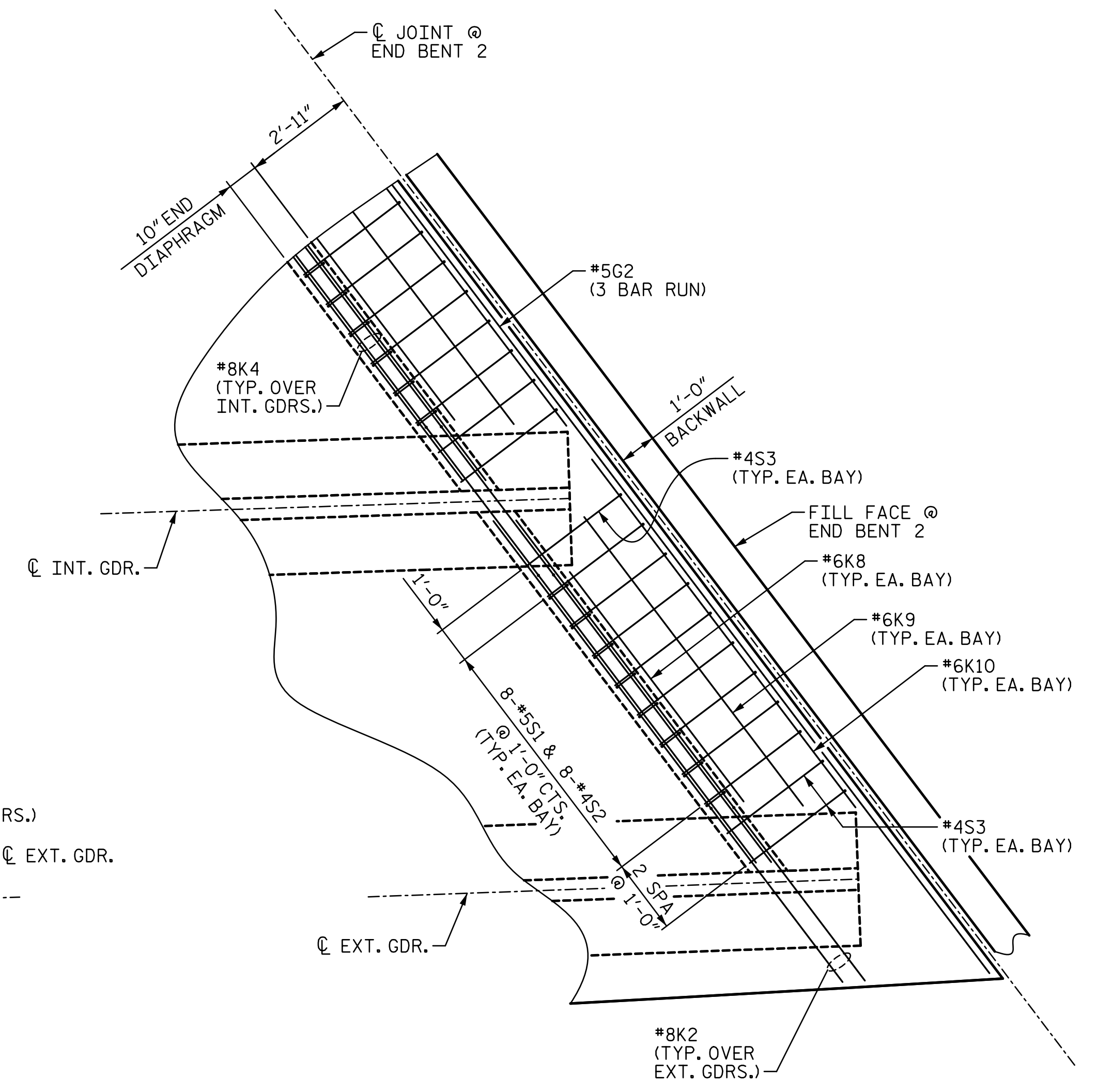


DETAIL "A"



DETAIL "B"



DETAIL "C"

PROJECT NO. U-4751
NEW HANOVER COUNTY
 STATION: 38+94.20 -L-
 SHEET 2 OF 2

DOCUMENT NOT CONSIDERED FINAL UNLESS ALL SIGNATURES COMPLETED		STATE OF NORTH CAROLINA DEPARTMENT OF TRANSPORTATION RALEIGH		SUPERSTRUCTURE PLAN OF SPANS DETAILS	SHEET NO. S1-10 TOTAL SHEETS 36
		REVISIONS			
		NO.	BY:		
1			3		
2			4		

DRAWN BY : VMW DATE : 4-17 DESIGN ENGINEER OF RECORD: T. TOWNSEND DATE : 5-17
 CHECKED BY : AJP DATE : 4-17

R:\401_019_U4751_SMU_SL_00_640201.dgn 6/22/2017 3:55:10 PM ch14kmb